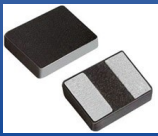


MINI MOLDED POWER INDUCTOR



AOTA-B201608S

Request Samples



Check Inventory



2.0 x 1.6 x 0.8 mm
RoHS/RoHS II Compliant
MSL Level = 1

Features

- Shielded construction for minimized EMI emissions.
- Low DCR for better efficiency
- High current handling capability
- Combat size that is suitable for high-density designs
- Fit for high-frequency switching applications due to high SRF

Applications

- Consumer electronics and portable devices
- Power electronics such as DC converters, inverters, and voltage regulators
- Industrial applications, robotics, signal conditioning, instrumentation, and control systems
- IoT devices, smart home, automation systems, wireless sensing

Electrical Specifications

Part Number	Inductance	Tolerance	Self-Resonant Frequency	DC Resistance		Saturation Current		Temperature Rise Current	
	1MHz/1.0V		Min.	Typ.	Max	Typ.	Max	Typ.	Max
Units	μH	%	MHz	$\text{m}\Omega$		A		A	
Symbol	L	M	SRF	DCR		Isat		Irms	
AOTA-B201608SR24MT	0.24	20	120	18	22	8.2	7.5	6.2	5.5
AOTA-B201608SR47MT	0.47	20	104	21	24	5.5	5.0	4.1	3.6
AOTA-B201608S1R0MT	1.0	20	57	45	52	4.5	4.1	4.2	3.7
AOTA-B201608S2R2MT	2.2	20	40	134	148	2.6	2.3	2.0	1.8

Test Conditions

Isat: DC current at which the inductance drops 30% from its value without current.

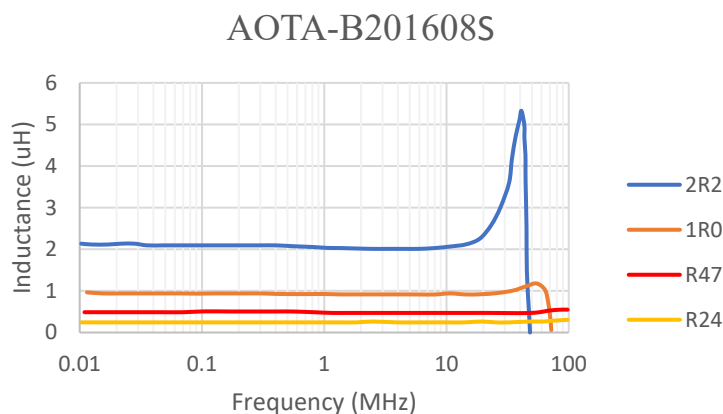
Irms: DC current that causes the temperature rise (ΔT , approximate 40 °C) from 25°C ambient

Operating Temperature: -40°C ~ +125°C (including self-temperature rise)

Storage Condition: -40°C ~ +125°C (on board), -10°C ~ +40°C (with packaging) and R.H. 60 max

AOTA-B201608S Series is RoHS Compliant and Pb free

Performance Graphs

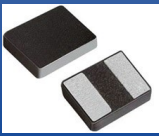


5101 Hidden Creek Ln, Spicewood TX 78669
 Phone: 512-371-6159 Fax: 512-351-8858
 For terms and conditions of sales, please visit:
www.abracon.com

REVISION Initial Release :
6/30/2023

ABRACON IS
 ISO9001-2015
 CERTIFIED

MINI MOLDED POWER INDUCTOR



AOTA-B201608S

Request Samples



Check Inventory



2.0 x 1.6 x 0.8 mm
RoHS/RoHS II Compliant
MSL Level = 1

Part Identification

AOTA-B201608S

Inductance Code

See Electrical Specification table

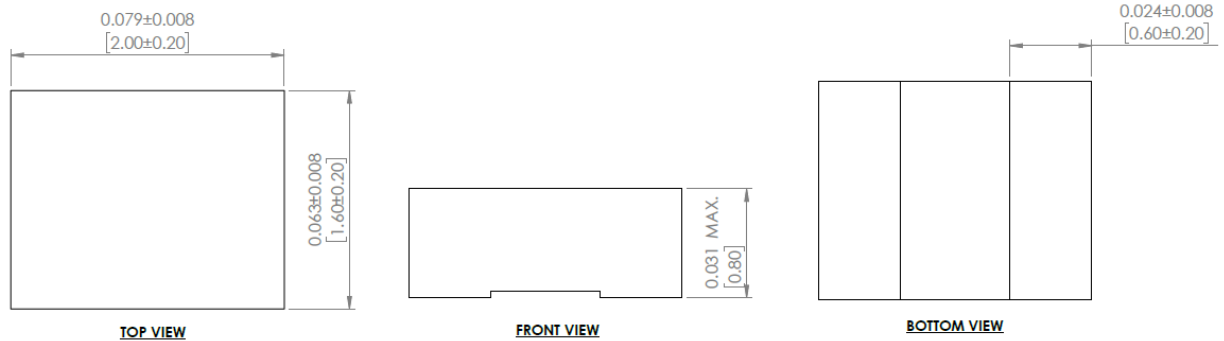
Tolerance

M = ± 20%

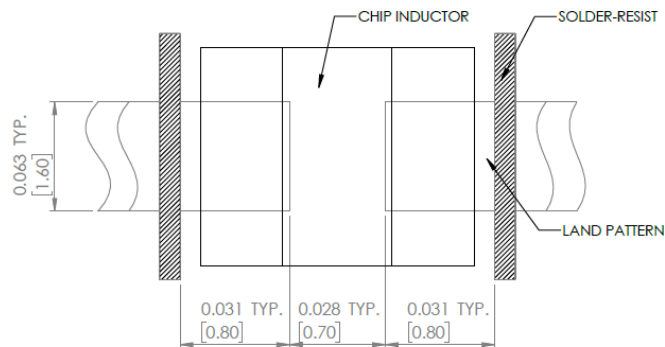
Packaging

T: Tape and Reel (See Packaging)

Mechanical Specifications



Recommended Land Pattern



Dimensions: Inch[mm]



5101 Hidden Creek Ln, Spicewood TX 78669
Phone: 512-371-6159 Fax: 512-351-8858
For terms and conditions of sales, please visit:
www.abracon.com

REVISION Initial Release :
6/30/2023

ABRACON IS
ISO9001-2015
CERTIFIED

MINI MOLDED POWER INDUCTOR



AOTA-B201608S

Request Samples



Check Inventory

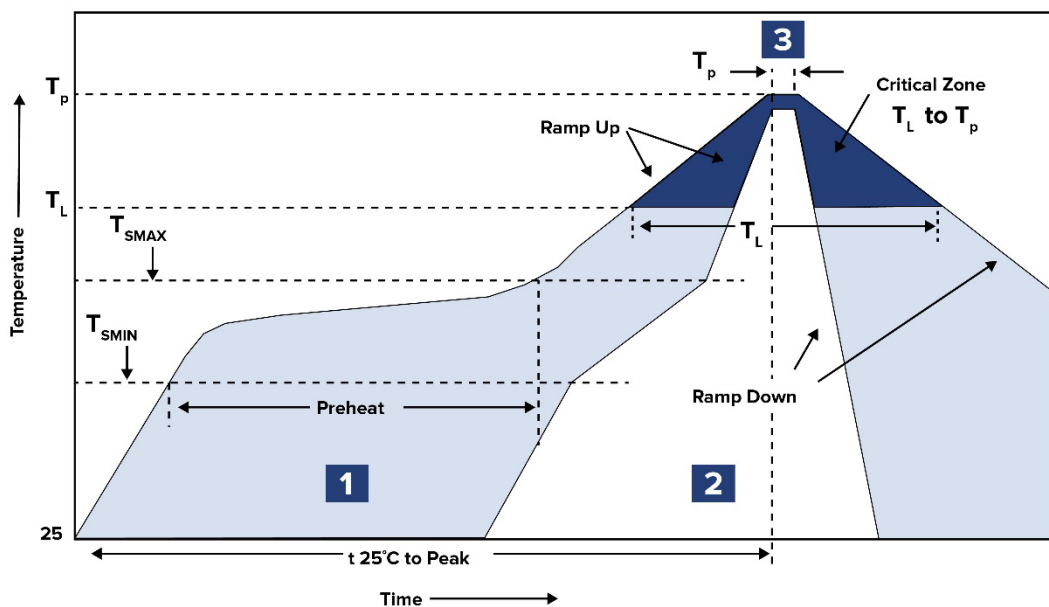


2.0 x 1.6 x 0.8 mm
RoHS/RoHS II Compliant
 MSL Level = 1

Marking

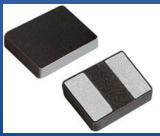
No Marking

Reflow Profile



Zone	Description	Temperature	Times
1	Preheat	$T_{SMIN} \sim T_{SMAX}$ 150°C ~ 200°C	60 ~ 120 sec.
2	Reflow	T_L 217°C	60 ~ 90 sec.
3	Peak heat	T_P 260°C Max	10 sec. MAX

MINI MOLDED POWER INDUCTOR



AOTA-B201608S

Request Samples



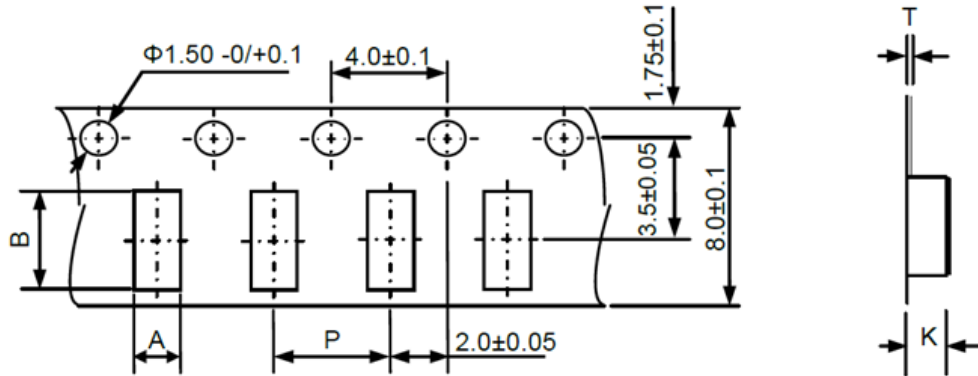
Check Inventory



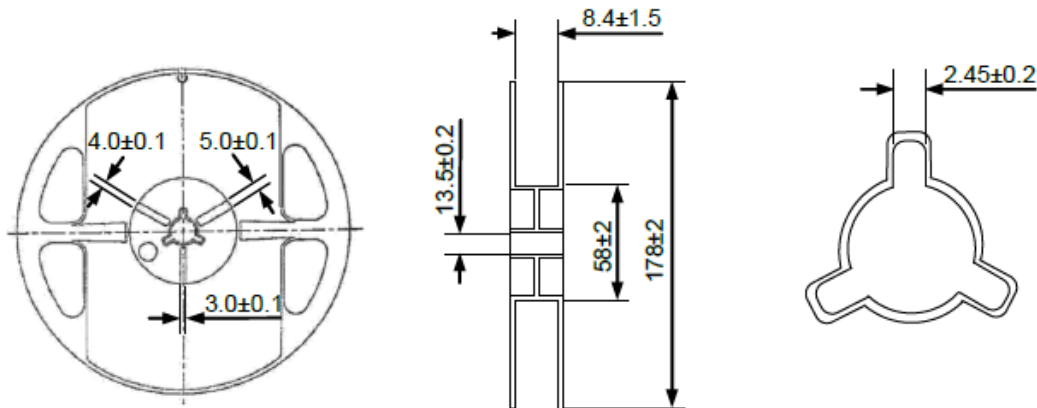
2.0 x 1.6 x 0.8 mm
RoHS/RoHS II Compliant
MSL Level = 1

Packaging

Tape & Reel: 3000 pcs/reel



A	B	P	K	T
1.90±0.1	2.30±0.1	4.0±0.1	1.10 Max	0.3 Max



Dimensions: mm

ATTENTION: Abracon LLC's products are COTS – Commercial-Off-The-Shelf products; suitable for Commercial, Industrial and, where designated, Automotive Applications. Abracon's products are not specifically designed for Military, Aviation, Aerospace, Life-dependent Medical applications or any application requiring high reliability where component failure could result in loss of life and/or property. For applications requiring high reliability and/or presenting an extreme operating environment, written consent and authorization from Abracon LLC is required. Please contact Abracon LLC for more information.



5101 Hidden Creek Ln, Spicewood TX 78669
 Phone: 512-371-6159 Fax: 512-351-8858
 For terms and conditions of sales, please visit:
www.abracon.com

REVISION Initial Release :
6/30/2023

ABRACON IS
 ISO9001-2015
 CERTIFIED