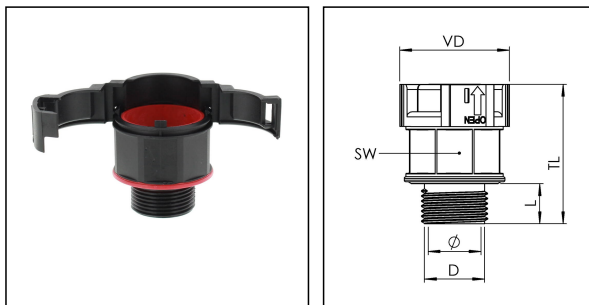


## EBFS-12-20-BK

Conduit fitting, straight, non-metallic, RAL 9005, NW 12 / M20



Products may differ in size, colour and appearance to those shown. If you require further information or customisation, please contact us directly.



<b>Material Conduit fitting</b>	polyamide UL94-V0
<b>Material Connection thread</b>	polyamide UL94-V0
<b>Material sealing gasket</b>	TPU
<b>Protection class</b>	IP66, IP68
<b>Temp. range min</b>	-40 °C
<b>Temp. range max</b>	100 °C
<b>Operational areas</b>	EN 45545 - Railway
<b>NW</b>	12
<b>Thread type</b>	M
<b>Ø Connection thread D</b>	20
<b>Lead</b>	1,5
<b>Length screw-in thread L</b>	12 mm
<b>Ø closure VD</b>	27,3 mm
<b>Ø inside</b>	12 mm
<b>Key width SW</b>	22 mm
<b>Total length TL</b>	39,2 mm
<b>Type of conduit fitting</b>	straight
<b>UL 1696</b>	Yes
<b>Product Color</b>	RAL 9005
<b>Type</b>	EBFS-12-20-BK
<b>Order no. RAL 9005</b>	10106865
<b>Packing unit</b>	50
<b>EAN number</b>	4007686033212
<b>Tariff number</b>	39174000
<b>ETIM-Classification</b>	EC001176

Your Contact:

WISKA UK Ltd.

Unit 7, Hurling Way · St. Columb Major Business Park · TR9 6SX, St. Columb Major, Cornwall · Great Britain

☎ +44-12-08816062 · 📠 +44-12-08816708

info@wiska.co.uk · www.wiska.co.uk

**Remarks:**

**UL approval only in conjunction with UL approved corrugated conduits**

**Recommended accessories**

<b>EMUF 20 BK</b>	10061772
<b>BCA-S-12-BK</b>	10107073
<b>BCAV-S-12-BK</b>	10107088
<b>BCIV-S-12-BK</b>	10107105
<b>BCAB-L-12-BK</b>	10109183
<b>BCAV-H-12-BK</b>	10109201
<b>BCIB-H-12-BK</b>	10109222

23.07.2023

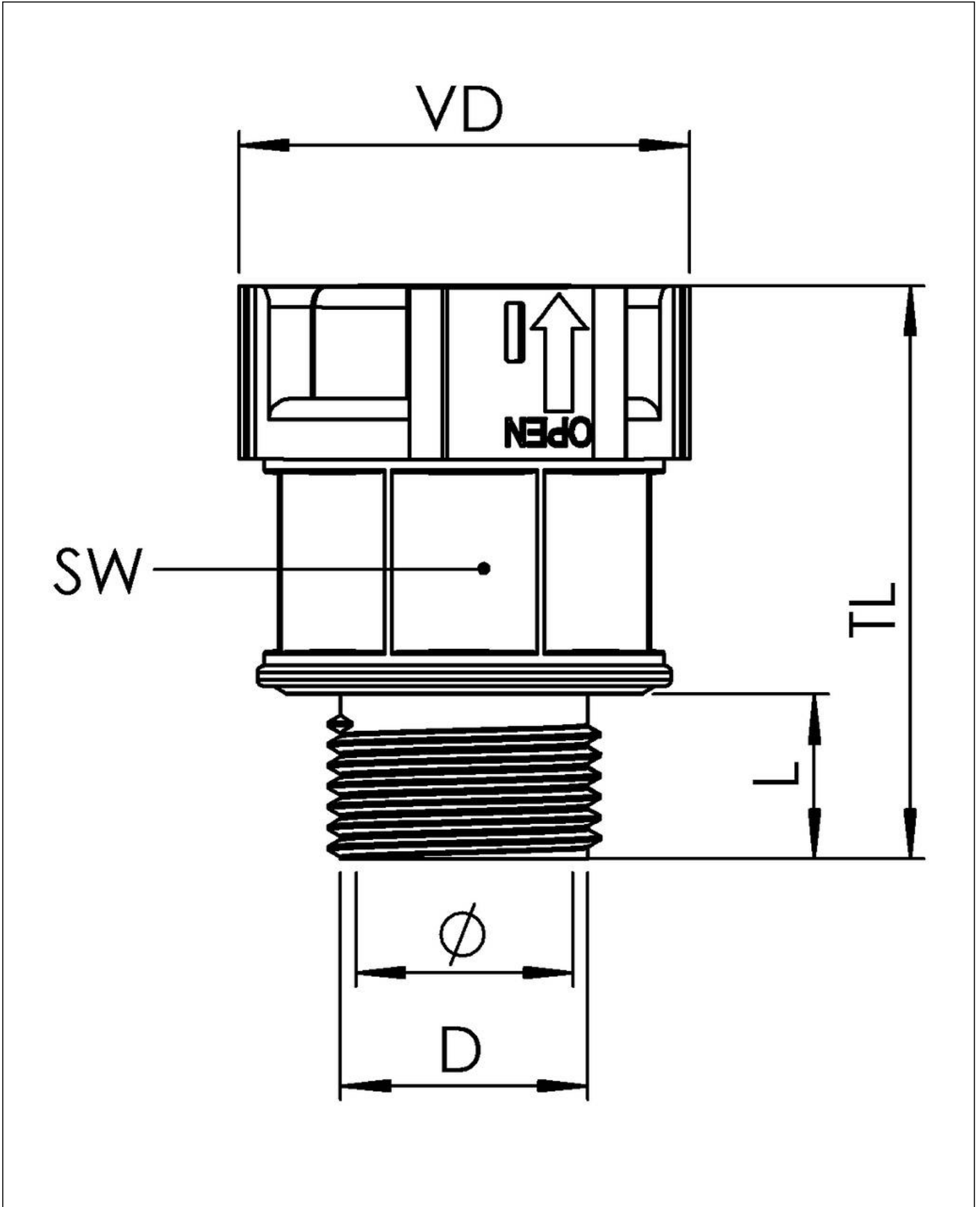
**Your Contact:**

**WISKA UK Ltd.**

Unit 7, Hurling Way · St. Columb Major Business Park · TR9 6SX, St. Columb Major, Cornwall · Great Britain

☎ +44-12-08816062 · 📠 +44-12-08816708

info@wiska.co.uk · www.wiska.co.uk



Your Contact:

**WISKA UK Ltd.**

Unit 7, Hurling Way · St. Columb Major Business Park · TR9 6SX, St. Columb Major, Cornwall · Great Britain

☎ +44-12-08816062 · 📠 +44-12-08816708

info@wiska.co.uk · www.wiska.co.uk