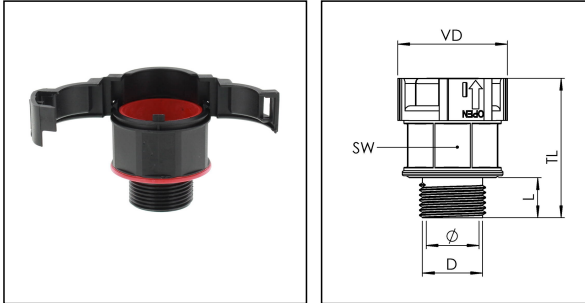


EBFS-14-20-BK

Conduit fitting, straight, non-metallic, RAL 9005, NW 14 / M20



Products may differ in size, colour and appearance to those shown. If you require further information or customisation, please contact us directly.



Material Conduit fitting	polyamide UL94-V0
Material Connection thread	polyamide UL94-V0
Material sealing gasket	TPU
Protection class	IP68, IP66
Temp. range min	-40 °C
Temp. range max	100 °C
Operational areas	EN 45545 - Railway
NW	14
Thread type	M
Ø Connection thread D	20
Lead	1,5
Length screw-in thread L	12 mm
Ø closure VD	30,1 mm
Ø inside	12 mm
Key width SW	25 mm
Total length TL	42,1 mm
Type of conduit fitting	straight
UL 1696	No
Product Color	RAL 9005
Type	EBFS-14-20-BK
Order no. RAL 9005	10106866
Packing unit	50
EAN number	4007686033236
Tariff number	39174000
ETIM-Classification	EC001176

Your Contact:

WISKA UK Ltd.

Unit 7, Hurling Way · St. Columb Major Business Park · TR9 6SX, St. Columb Major, Cornwall · Great Britain

☎ +44-12-08816062 · 📠 +44-12-08816708

info@wiska.co.uk · www.wiska.co.uk

Recommended accessories

EMUF 20 BK	10061772
BCA-S-14-BK	10107074
BCAV-S-14-BK	10107089
BCIV-S-14-BK	10107106
BCAB-L-14-BK	10109184
BCIB-H-14-BK	10109223

23.07.2023

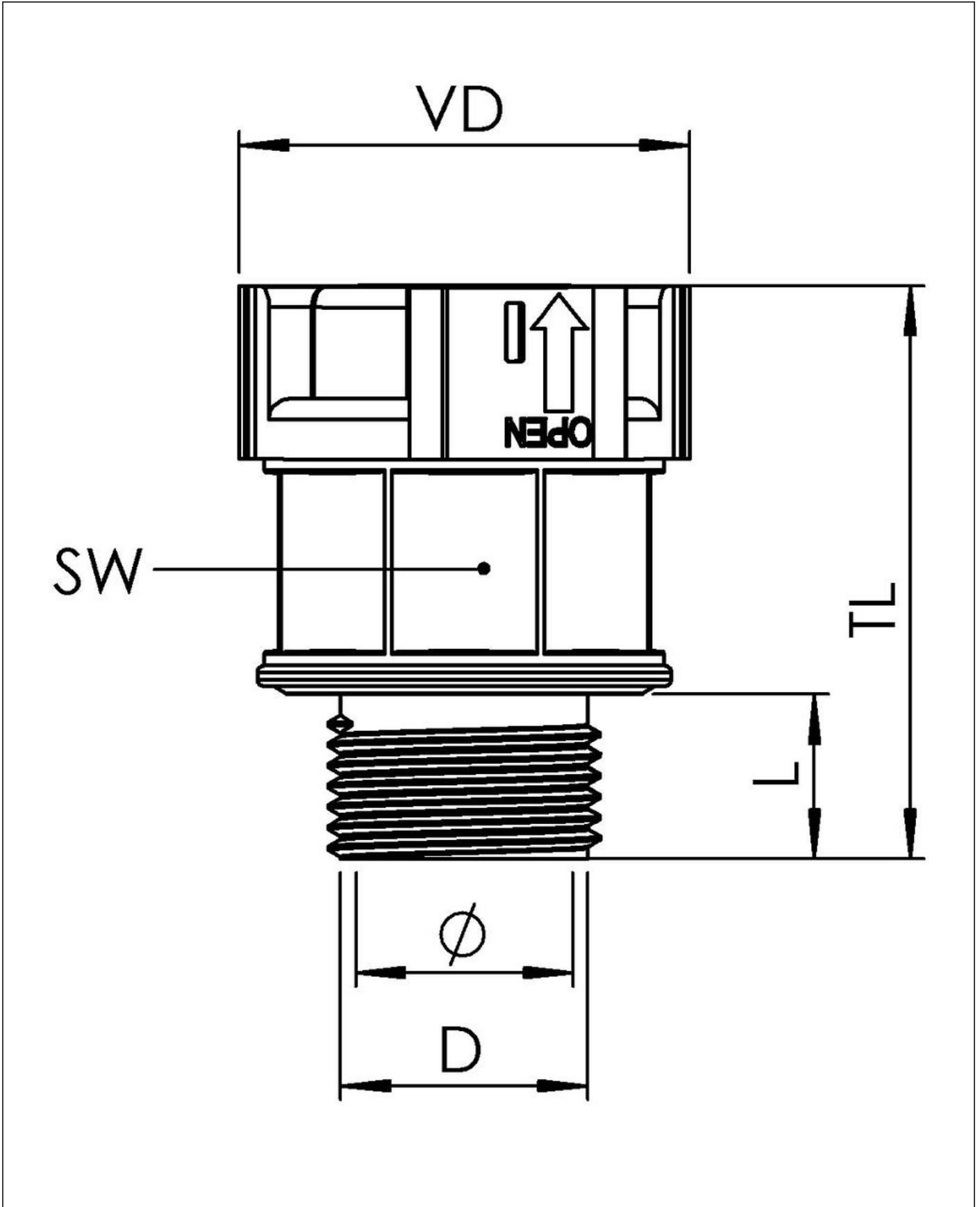
Your Contact:

WISKA UK Ltd.

Unit 7, Hurling Way · St. Columb Major Business Park · TR9 6SX, St. Columb Major, Cornwall · Great Britain

☎ +44-12-08816062 · 📠 +44-12-08816708

info@wiska.co.uk · www.wiska.co.uk



Your Contact:

WISKA UK Ltd.

Unit 7, Hurling Way · St. Columb Major Business Park · TR9 6SX, St. Columb Major, Cornwall · Great Britain

☎ +44-12-08816062 · 📠 +44-12-08816708

info@wiska.co.uk · www.wiska.co.uk