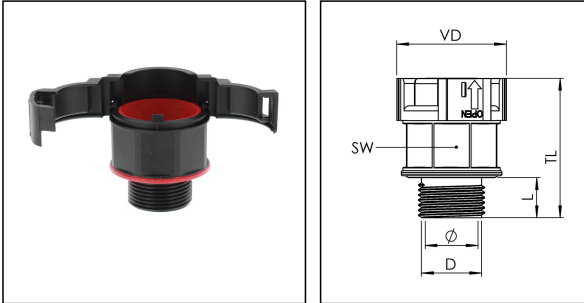


EBFS-17-20-BK

Conduit fitting, straight, non-metallic, RAL 9005, NW 17 / M20



Products may differ in size, colour and appearance to those shown. If you require further information or customisation, please contact us directly.



| | |
|-----------------------------------|--------------------|
| Material Conduit fitting | polyamide UL94-V0 |
| Material Connection thread | polyamide UL94-V0 |
| Material sealing gasket | TPU |
| Protection class | IP68, IP66 |
| Temp. range min | -40 °C |
| Temp. range max | 100 °C |
| Operational areas | EN 45545 - Railway |
| NW | 17 |
| Thread type | M |
| Ø Connection thread D | 20 |
| Lead | 1,5 |
| Length screw-in thread L | 12 mm |
| Ø closure VD | 33,2 mm |
| Ø inside | 14,8 mm |
| Key width SW | 27 mm |
| Total length TL | 41,5 mm |
| Type of conduit fitting | straight |
| UL 1696 | Yes |
| Product Color | RAL 9005 |
| Type | EBFS-17-20-BK |
| Order no. RAL 9005 | 10106867 |
| Packing unit | 50 |
| EAN number | 4007686033250 |
| Tariff number | 39174000 |
| ETIM-Classification | EC001176 |

Your Contact:

WISKA UK Ltd.

Unit 7, Hurling Way · St. Columb Major Business Park · TR9 6SX, St. Columb Major, Cornwall · Great Britain

☎ +44-12-08816062 · 📠 +44-12-08816708

info@wiska.co.uk · www.wiska.co.uk

Remarks:

UL approval only in conjunction with UL approved corrugated conduits

Recommended accessories

| | |
|---------------------|----------|
| EMUF 20 BK | 10061772 |
| BCA-S-17-BK | 10107075 |
| BCAV-S-17-BK | 10107090 |
| BCIV-S-17-BK | 10107107 |
| BCA-17-D-BK | 10107122 |
| BCAV-17-D-BK | 10107136 |
| BCAB-L-17-BK | 10109185 |
| BCAV-H-17-BK | 10109202 |
| BCIB-H-17-BK | 10109224 |

23.07.2023

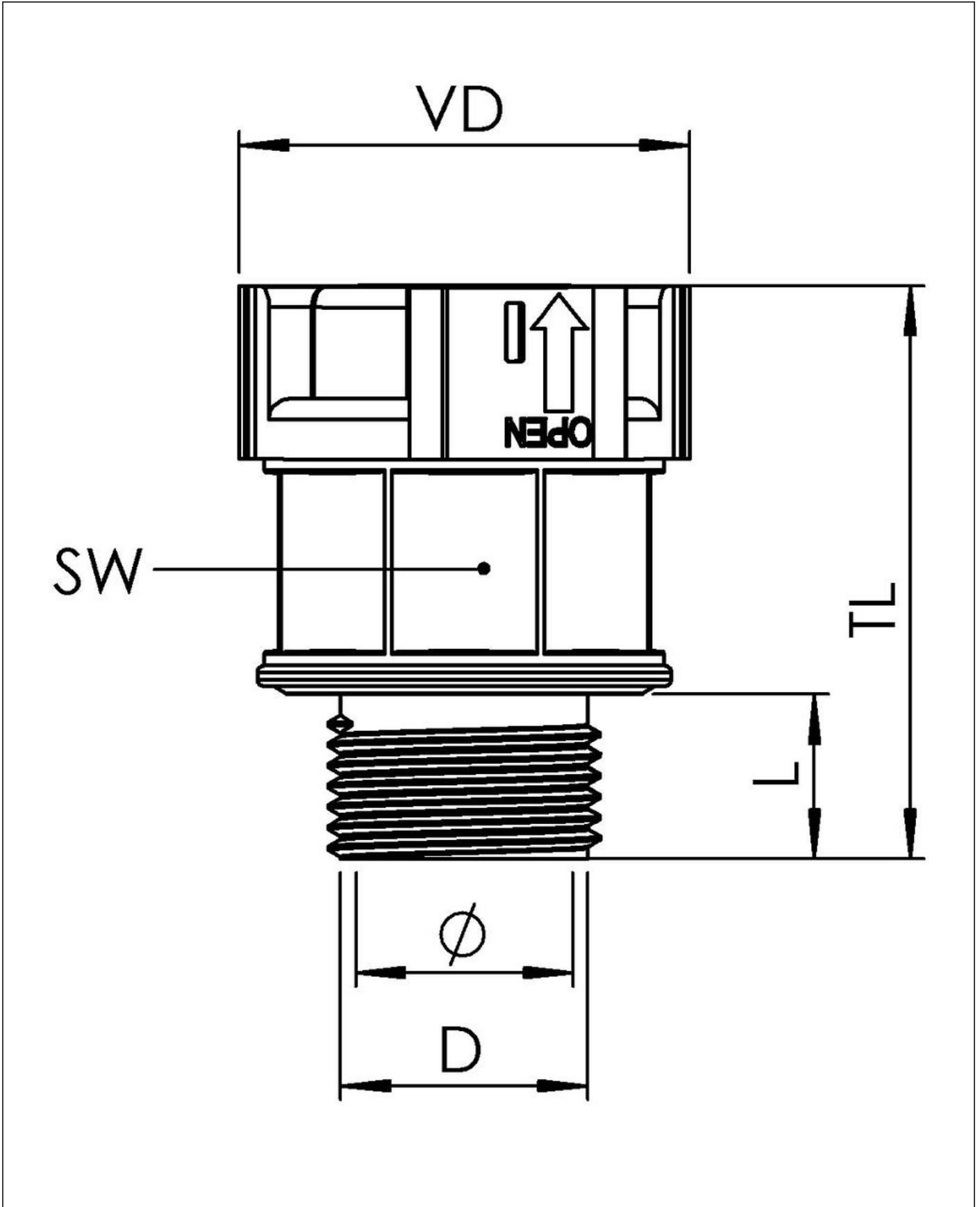
Your Contact:

WISKA UK Ltd.

Unit 7, Hurling Way · St. Columb Major Business Park · TR9 6SX, St. Columb Major, Cornwall · Great Britain

☎ +44-12-08816062 · 📠 +44-12-08816708

info@wiska.co.uk · www.wiska.co.uk



Your Contact:

WISKA UK Ltd.

Unit 7, Hurling Way · St. Columb Major Business Park · TR9 6SX, St. Columb Major, Cornwall · Great Britain

☎ +44-12-08816062 · 📠 +44-12-08816708

info@wiska.co.uk · www.wiska.co.uk