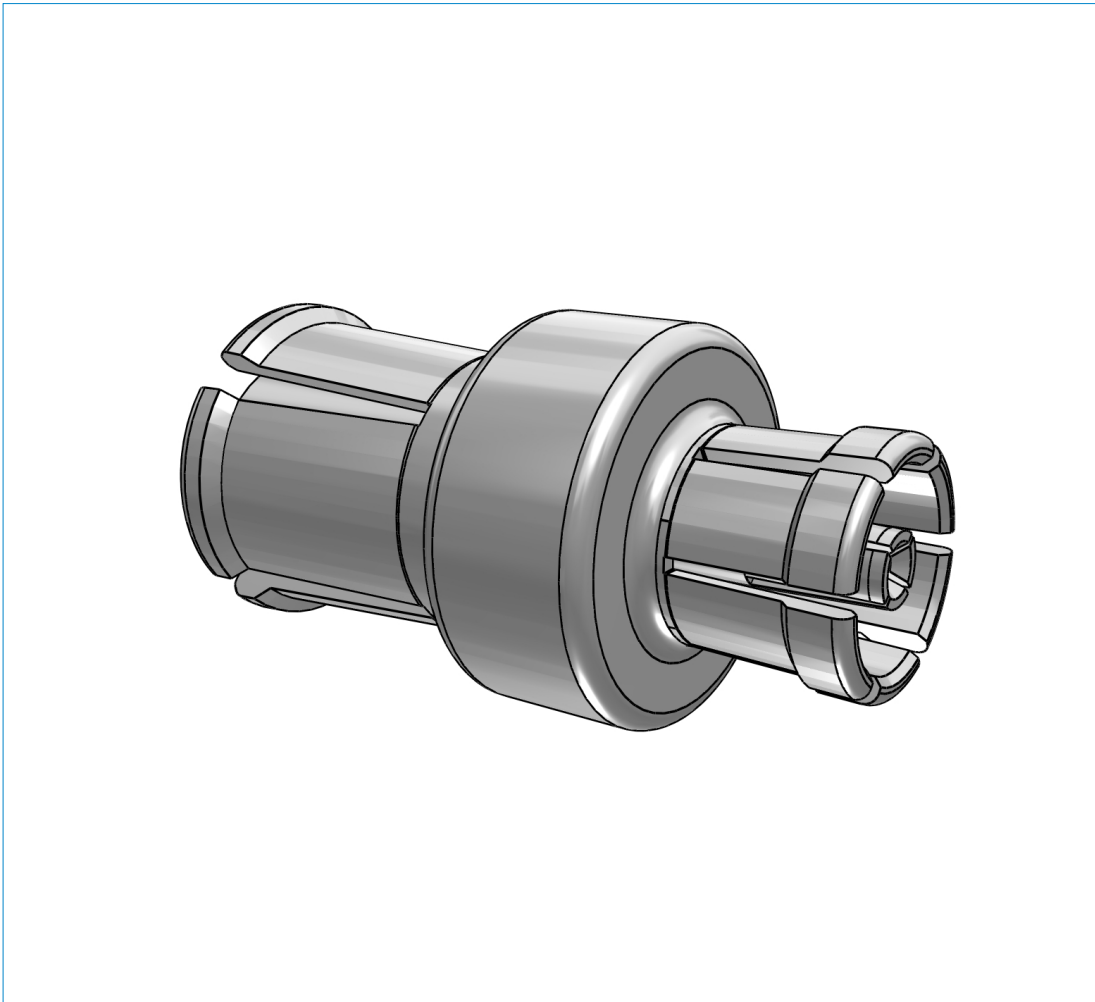


Part Number: 134-1099-071

PRODUCT VIEW



*Interactive 3D graphic. Click to activate and rotate.
(3D capable PDF viewer required)*

Part Number: 134-1099-071

TECHNICAL DATA

Part Number	134-1099-071
Description	Adapter, SMP Female / SMPM Female Bullet
Product Type	Standard
Body Material	Beryllium Copper
Body Plating	Gold
Contact Plating	Gold
Series Side 1	SMP
Series Side 2	SMPM
Body Style	Straight
Impedance [Ω]	50
Gender Side 1	Female
Gender Side 2	Female
Max Frequency [Ghz]	40
VSWR	0 to 10 GHz: 1.15 10-30 GHz: 1.35
Insertion Loss	0.12 dB Max at 10 GHz