

Data sheet | Item number: 790-116

Shield clamping saddle; 19 mm wide; diameter of compatible conductor; 7 ...
16 mm



www.wago.com/790-116



Data

Notes

Safety information

Cannot be used for connecting ground conductors!

Subject to changes. Please also observe the further product documentation!

WAGO GmbH & Co. KG

Hansastr. 27

32423 Minden

Phone: +49571 887-0 | Fax: +49571 887-169

Email: info.de@wago.com | Web: www.wago.com

Do you have any questions about our products?

We are always happy to take your call at +49 (571) 887-44222.

Technical data

Main product function	Shield clamping saddles
Safety information	Cannot be used for connecting ground conductors!

Physical data

Width	19 mm / 0.748 inches
-------	----------------------

Material Data

Color	silver-colored
Weight	16.2 g
Material	Steel V2A Stainless steel

Commercial data

Product Group	2 (Terminal Block Accessories)
eCl@ss 10.0	27-14-11-50
eCl@ss 9.0	27-14-11-50
ETIM 8.0	EC002020
ETIM 7.0	EC002020
PU (SPU)	50 (10) pcs
Packaging type	box
Country of origin	DE
GTIN	4017332611756
Customs tariff number	85369010000

Environmental Product Compliance

RoHS Compliance Status	Compliant, No Exemption
------------------------	-------------------------

Optional accessories

Carrier rail

Shield termination	
--------------------	--



Item no.: 790-145




Carrier rail; with special perforations; 1000 mm long; tin-plated; silver-colored

www.wago.com/790-145

N-busbar

Shield termination	
--------------------	--

Subject to changes. Please also observe the further product documentation!

	Item no.: 790-191 U-shaped busbar; Cu 10 mm x 3 mm; for 8 I/O; suitable for 750 Series I/O modules; silver-colored	www.wago.com/790-191
	Item no.: 790-190 U-shaped busbar; Cu 10 mm x 3 mm; for 5 I/O; suitable for 750 Series I/O modules; silver-colored	www.wago.com/790-190
	Item no.: 790-192 U-shaped busbar; Cu 10 mm x 3 mm; for 5 I/O; suitable for 750 Series I/O modules; silver-colored	www.wago.com/790-192
	Item no.: 790-193 U-shaped busbar; Cu 10 mm x 3 mm; for 8 I/O; suitable for 750 Series I/O modules; silver-colored	www.wago.com/790-193
Mounting accessories		
	Item no.: 210-133 Busbar; tin-plated; 1000 mm long; Cu 10 mm x 3 mm; white	www.wago.com/210-133
	Item no.: 790-133 Busbar; tin-plated; 30 mm long; Cu 10 mm x 3 mm; silver-colored	www.wago.com/790-133
	Item no.: 790-134 Busbar; tin-plated; 50 mm long; Cu 10 mm x 3 mm; silver-colored	www.wago.com/790-134
Mounting		
Shield termination		
	Item no.: 790-101 Isolated mounting carrier; for busbar with sheet metal screw (3.5 x 9) mm; gray	www.wago.com/790-101
	Item no.: 790-100 Isolated mounting carrier; for busbar with screw M4 x 8 mm; gray	www.wago.com/790-100
Shield termination		
Shield termination		
	Item no.: 790-112 Carrier with grounding foot; parallel to carrier rail; 25 mm long; Cu 10 mm x 3 mm; suitable for 790-108 and 790-116; gray	www.wago.com/790-112
	Item no.: 790-115 Carrier with 2 grounding feet; parallel to carrier rail; 125 mm long; Cu 10 mm x 3 mm; gray	www.wago.com/790-115
	Item no.: 790-113 Carrier with grounding foot; 90° to carrier rail; 45 mm long; Cu 10 mm x 3 mm; suitable for 790 Series shield clamping saddles; gray	www.wago.com/790-113
	Item no.: 790-114 Carrier with grounding foot; parallel to carrier rail; 45 mm long; Cu 10 mm x 3 mm; suitable for 790 Series shield clamping saddles and 791 Series shield clamps; gray	www.wago.com/790-114

Subject to changes. Please also observe the further product documentation!



Downloads Documentation

Bid Text

790-116 X81 - Datei	19 Feb 2019	xml 2.8 kB	Download
790-116 doc - Datei	28 Nov 2018	doc 24.1 kB	Download

CAD/CAE-Data

CAD data

2D/3D Models 790-116		URL	Download
----------------------	--	-----	----------

CAE data

ZUKEN Portal 790-116		URL	Download
EPLAN Data Portal 790-116		URL	Download
WSCAD Universe 790-116		URL	Download

Environmental Product Compliance

Compliance Search

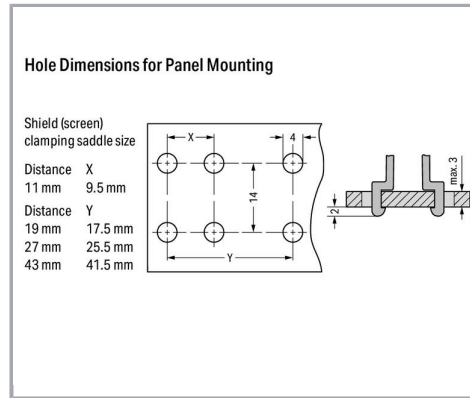
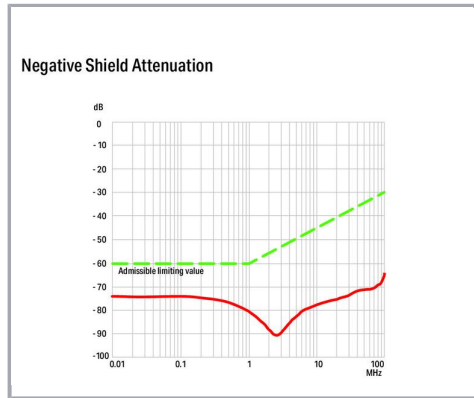
Environmental Product Compliance 790-116 Shield clamping saddle; 19 mm wide; diameter of compatible conductor; 7 ... 16 mm		URL	Download
---	--	-----	----------

Installation Notes

Subject to changes. Please also observe the further product documentation!

WAGO GmbH & Co. KG
Hansastr. 27
32423 Minden
Phone: +49571 887-0 | Fax: +49571 887-169
Email: info.de@wago.com | Web: www.wago.com

Do you have any questions about our products?
We are always happy to take your call at +49 (571) 887-44222.



WAGO's shield connection system is highly effective because the clamping unit can be brought very close to the unshielded part of the cable.

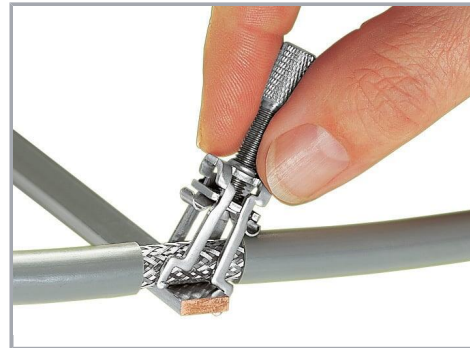
Additionally, the spring material is part of the clamping saddle, providing a good electrical connection (the system also acts as a partial strain relief). The spring element integrated in the shield clamping saddle compensates for deformation and settling that results from a connected shield.



Installation

The shield clamping saddle is shipped ready for direct connection to the (10 x 3) mm busbar or to a drilled mounting plate. After connection, tighten the knurled screw to complete the installation.

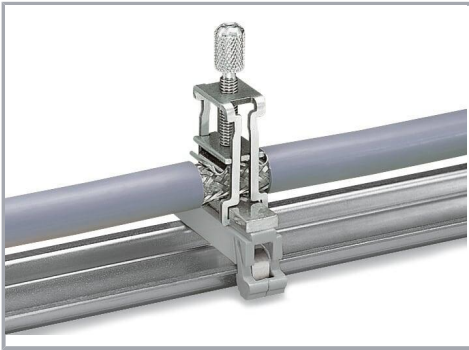
Maximum tightening torque: 0.5 Nm



Removal

To remove the clamping saddle, unscrew until ratcheted mechanism is released, then slightly tip saddle and remove the clamping saddle.

Subject to changes. Please also observe the further product documentation!



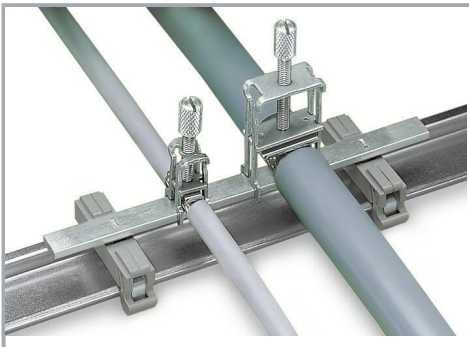
Carrier with grounding foot* (790-113), 45 mm long, busbar 90° to the DIN-rail

*for all shield clamping saddle sizes



Carrier with grounding foot* (790-114), 45 mm long, busbar parallel to the DIN-rail

*for all shield clamping saddle sizes



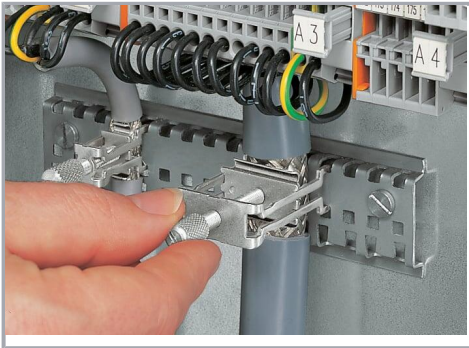
Carrier with grounding foot* (790-1145), 125 mm long, busbar parallel to the rail

*for all shield clamping saddle sizes



Securing an additional shield clamping saddle.

Subject to changes. Please also observe the further product documentation!



Tightening/removing a shield clamping saddle.



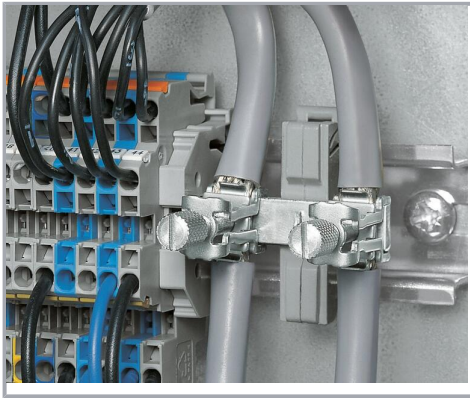
After connection, tighten the knurled screw to complete the installation.

Recommended tightening torque: 0.5 Nm

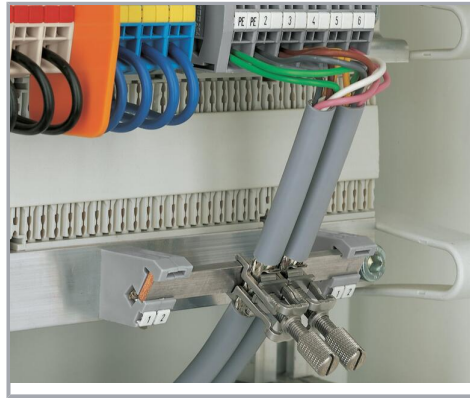


To remove the clamping saddle, unscrew until ratcheted mechanism is released, then slightly tip saddle and remove the clamping saddle.

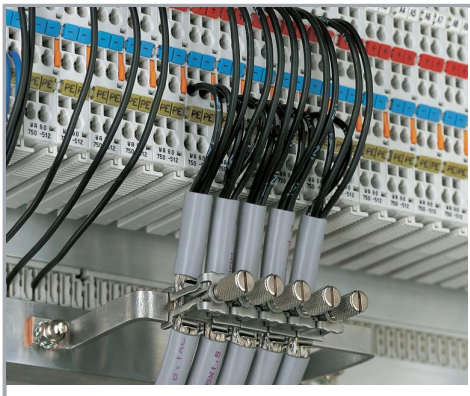
Subject to changes. Please also observe the further product documentation!



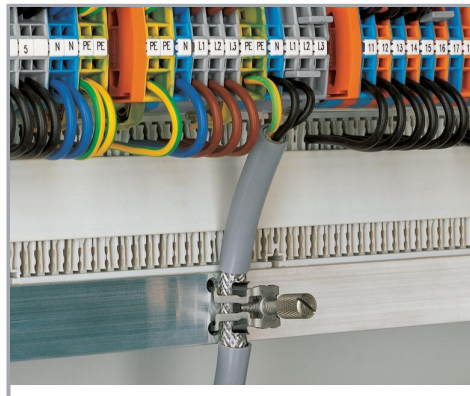
Carrier with grounding foot – busbar parallel to the rail



Insulated mounting carriers for a common shield reference potential, independent of housing potential



U-shaped (10 x 3) mm copper busbar



Snap shield clamping saddles into any metal plate (max. thickness: 3 mm).

Subject to changes. Please also observe the further product documentation!