

Data

Electrical data

Ratings per IEC/EN

Nominal voltage (III/3)	400 V
Rated impulse voltage (III/3)	6 kV
Rated current	25 A

Physical data

Width	35.1 mm / 1.382 inches
Jumper assignment	1-2-3-4-5-6-7

Material Data

Note (material data)

[Information on material specifications can be found here](#)

Color	light gray
-------	------------

Subject to changes. Please also observe the further product documentation!

WAGO GmbH & Co. KG
Hansastr. 27
32423 Minden
Phone: +49571 887-0 | Fax: +49571 887-169
Email: info.de@wago.com | Web: www.wago.com

Do you have any questions about our products?
We are always happy to take your call at +49 (571) 887-44222.

Fire load	0.09 MJ
Weight	6 g

Commercial data


Product Group	22 (TOPJOB S)
eCl@ss 10.0	27-14-11-40
eCl@ss 9.0	27-14-11-40
ETIM 8.0	EC000489
ETIM 7.0	EC000489
PU (SPU)	25 pcs
Packaging type	bag
Country of origin	DE
GTIN	4055143692304
Customs tariff number	85366990990

Environmental Product Compliance

RoHS Compliance Status	Compliant, No Exemption
------------------------	-------------------------

Approvals / Certificates

Declarations of conformity and manufacturer's declarations

Logo	Approval	Additional Approval Text	Certificate name
	Railway WAGO GmbH & Co. KG	-	Railway Ready

Downloads

Documentation

Bid Text

2002-477 X81 - Datei	19 Feb 2019	xml 2.7 kB	Download
2002-477 doc - Datei	27 Apr 2017	doc 24.6 kB	Download

Additional Information

Subject to changes. Please also observe the further product documentation!

WAGO GmbH & Co. KG
Hansastr. 27
32423 Minden
Phone: +49571 887-0 | Fax: +49571 887-169
Email: info.de@wago.com | Web: www.wago.com

Do you have any questions about our products?
We are always happy to take your call at +49 (571) 887-44222.



pdf
2.2 MB Download

CAD/CAE-Data

CAD data

2D/3D Models 2002-477	URL	Download
-----------------------	-----	----------

CAE data

WSCAD Universe 2002-477	URL	Download
-------------------------	-----	----------

ZUKEN Portal 2002-477	URL	Download
-----------------------	-----	----------

EPLAN Data Portal 2002-477	URL	Download
----------------------------	-----	----------

Environmental Product Compliance

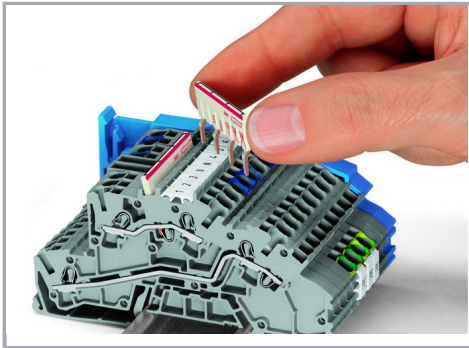
Compliance Search

Environmental Product Compliance 2002-477 Staggered jumper; 7-way; insulated; light gray	URL	Download
---	-----	----------

Installation Notes

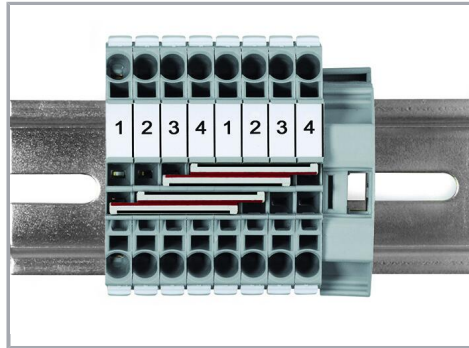
Commoning

Subject to changes. Please also observe the further product documentation!



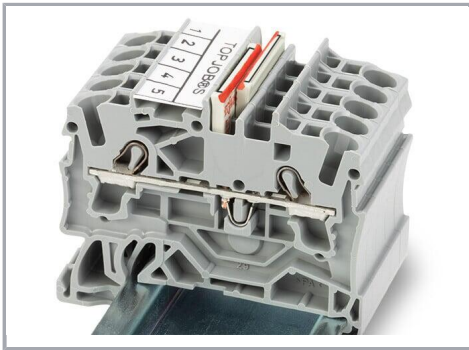
Orient the staggered jumpers' red stripes on the inside.

Insert the staggered jumper and push down until it hits the backstop.



Commoning two potentials in one single jumper slot via extremely slim staggered jumpers.

Commoning

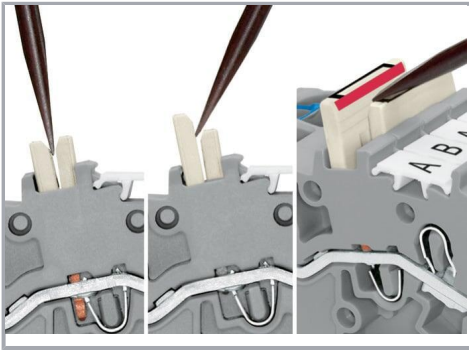


Orient the staggered jumpers' red stripes on the inside.

Insert the staggered jumper and push down until it hits the backstop.

Commoning

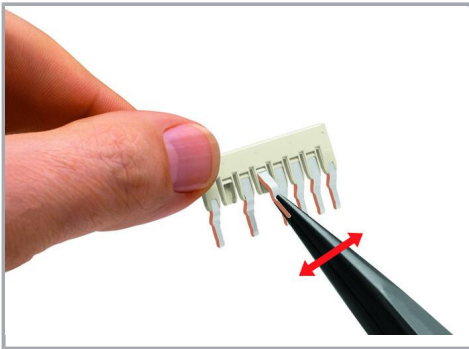
Subject to changes. Please also observe the further product documentation!



Removing a staggered jumper:

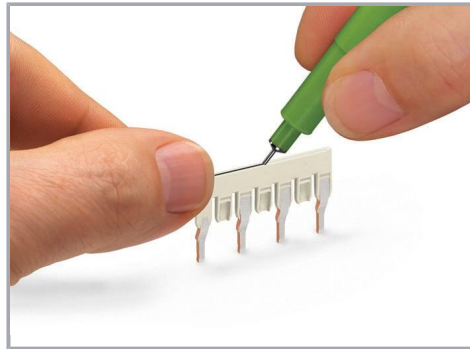
Insert the operating tool between the staggered jumpers, then lift up the jumper.

Commoning



Staggered jumper (seven contacts)

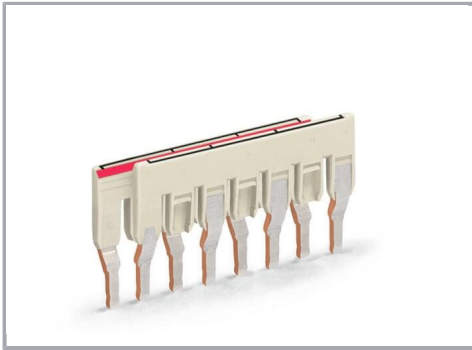
Breaking off contact lugs. Individual jumper contacts can be broken off by bending them. The remaining piece of insulation will meet requirements for clearances and creepage distances.



Staggered jumpers

Marking with a felt-tip pen.

Subject to changes. Please also observe the further product documentation!



Staggering jumpers in a single jumper slot:

Custom staggered jumpers can be created, e. g., for bridging over a terminal block with a different potential. Make sure that only one contact lug is in contact with the terminal block.

The contact lugs of the customized staggered jumpers contact the terminal blocks via the gaps created in the second jumper. Insert and press the ready-made jumper assembly into the jumper slot until it hits the backstop.

Product family

TOPJOB® S

TOPJOB® S: In various industrial applications and modern building installations, WAGO's wide and versatile range of rail-mount terminal blocks provides more than just reliable electrical connections.

[Show all products from the family](#)

Subject to changes. Please also observe the further product documentation!