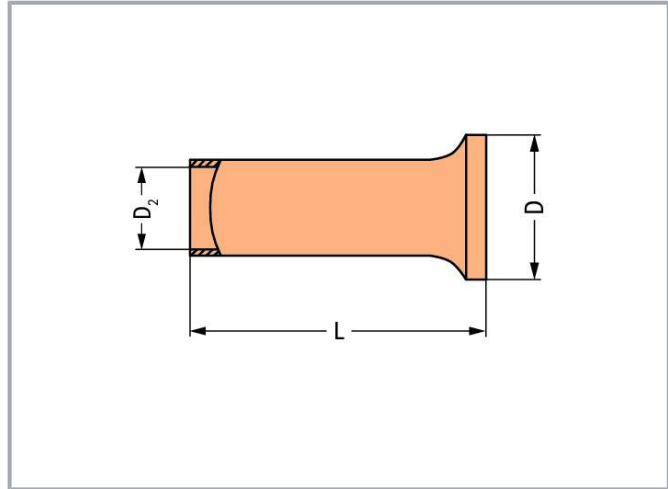


Data sheet | Item number: 216-104

Ferrule; Sleeve for 1.5 mm² / AWG 16; uninsulated; electro-tin plated; silver-colored



www.wago.com/216-104



Data

Technical data

Main product function	Ferrule
Sleeve cross-section (AWG)	16 AWG

Subject to changes. Please also observe the further product documentation!

WAGO GmbH & Co. KG
Hansastr. 27
32423 Minden
Phone: +49571 887-0 | Fax: +49571 887-169
Email: info.de@wago.com | Web: www.wago.com

Do you have any questions about our products?
We are always happy to take your call at +49 (571) 887-44222.



Sleeve for	1.5 mm ²
------------	---------------------

Connection data

Strip length	8 mm / 0.31 inches
--------------	--------------------

Physical data

Length	8 mm
--------	------

Diameter	2.8 mm
----------	--------

Diameter 2	1.7 mm
------------	--------

Material Data

Color	silver-colored
-------	----------------

Weight	0.1 g
--------	-------

Commercial data

Product Group	2 (Terminal Block Accessories)
---------------	--------------------------------

eCl@ss 10.0	27-40-02-01
-------------	-------------

eCl@ss 9.0	27-40-02-01
------------	-------------

ETIM 8.0	EC000005
----------	----------

ETIM 7.0	EC000005
----------	----------

PU (SPU)	5000 (1000) pcs
----------	-----------------

Packaging type	box
----------------	-----

Country of origin	DE
-------------------	----

GTIN	4017332277679
------	---------------

Customs tariff number	85369010000
-----------------------	-------------

Environmental Product Compliance

RoHS Compliance Status	Compliant, No Exemption
------------------------	-------------------------

Downloads

Documentation

Bid Text

216-104	19 Feb 2019	xml	Download
X81 - Datei		2.8 kB	

216-104	11 Sept 2017	doc	Download
---------	--------------	-----	----------

Subject to changes. Please also observe the further product documentation!

Environmental Product Compliance

Compliance Search

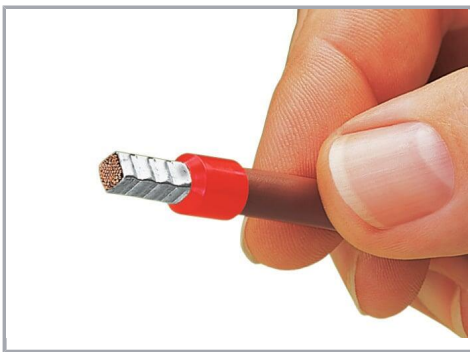
Environmental Product Compliance 216-104

[URL](#)

[Download](#)

Ferrule; Sleeve for 1.5 mm² / AWG 16; uninsulated; electro-tin plated; silver-colored

Installation Notes



A perfect gas-tight crimp – both electrically and mechanically reliable

Subject to changes. Please also observe the further product documentation!

WAGO GmbH & Co. KG

Hansastr. 27

32423 Minden

Phone: +49571 887-0 | Fax: +49571 887-169

Email: info.de@wago.com | Web: www.wago.com

Do you have any questions about our products?

We are always happy to take your call at +49 (571) 887-44222.