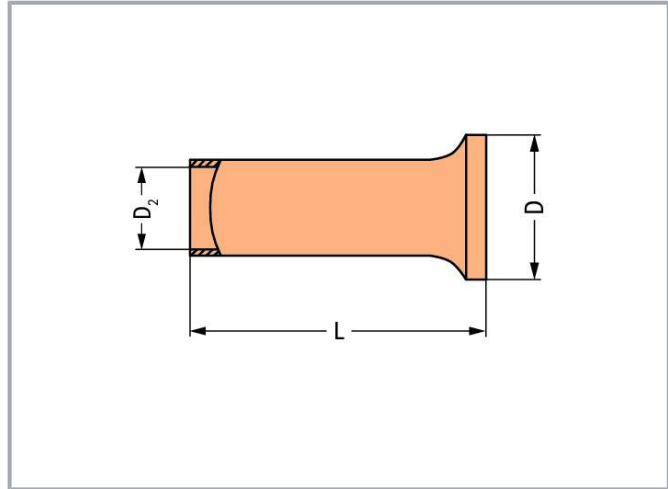


Data sheet | Item number: 216-106

Ferrule; Sleeve for 2.5 mm² / AWG 14; uninsulated; electro-tin plated; silver-colored



www.wago.com/216-106



Data

Technical data

Main product function	Ferrule
Sleeve cross-section (AWG)	14 AWG

Subject to changes. Please also observe the further product documentation!

WAGO GmbH & Co. KG
Hansastr. 27
32423 Minden
Phone: +49571 887-0 | Fax: +49571 887-169
Email: info.de@wago.com | Web: www.wago.com

Do you have any questions about our products?
We are always happy to take your call at +49 (571) 887-44222.



Sleeve for	2.5 mm ²
------------	---------------------

Connection data

Strip length	10 mm / 0.39 inches
--------------	---------------------

Physical data

Length	10 mm
Diameter	3.4 mm
Diameter 2	2.2 mm

Material Data

Color	silver-colored
Weight	0.1 g

Commercial data

Product Group	2 (Terminal Block Accessories)
eCl@ss 10.0	27-40-02-01
eCl@ss 9.0	27-40-02-01
ETIM 8.0	EC000005
ETIM 7.0	EC000005
PU (SPU)	5000 (1000) pcs
Packaging type	box
Country of origin	DE
GTIN	4017332277686
Customs tariff number	85369010000

Environmental Product Compliance

RoHS Compliance Status	Compliant, No Exemption
------------------------	-------------------------

Downloads

Documentation

Bid Text

216-106 X81 - Datei	19 Feb 2019	xml 2.8 kB	Download
216-106	11 Sept 2017	doc	Download

Subject to changes. Please also observe the further product documentation!

Environmental Product Compliance

Compliance Search

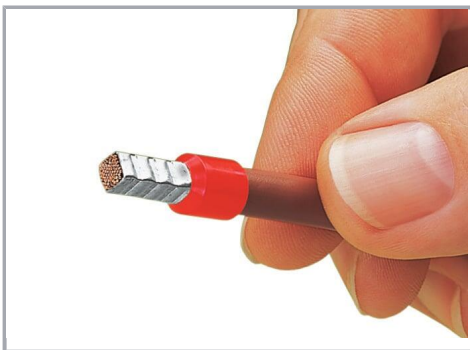
Environmental Product Compliance 216-106

[URL](#)

[Download](#)

Ferrule; Sleeve for 2.5 mm² / AWG 14; uninsulated; electro-tin plated; silver-colored

Installation Notes



A perfect gas-tight crimp – both electrically and mechanically reliable

Subject to changes. Please also observe the further product documentation!