

Data Sheet | Item Number: 209-188

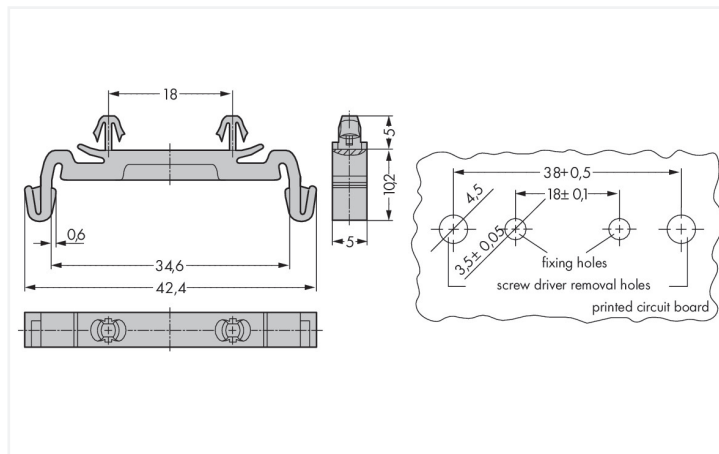
Mounting foot; can be assembled on terminal blocks with fixing flange; gray



<https://www.wago.com/209-188>



Color: ■ gray



Dimensions in mm

Physical data

Width	5 mm / 0.197 inches
Height	42.3 mm / 1.665 inches
Depth	15 mm / 0.591 inches

Material data

Color	gray
Fire load	0.027 MJ
Weight	1 g

Commercial data

Product Group	2 (Terminal Block Accessories)
eCl@ss 10.0	27-14-11-92
eCl@ss 9.0	27-14-11-92
ETIM 8.0	EC002848
ETIM 7.0	EC002848
PU (SPU)	25 pcs
Packaging type	Bag
Country of origin	DE
GTIN	4017332200998
Customs tariff number	39269097900

Environmental Product Compliance

RoHS Compliance Status	Compliant, No Exemption
------------------------	-------------------------

Downloads

Environmental Product Compliance

Compliance Search

Environmental Product
Compliance 209-188



CAD/CAE-Data

CAD data

2D/3D Models 209-188



CAE data

EPLAN Data Portal
209-188



WSCAD Universe
209-188



ZUKEN Portal 209-188

