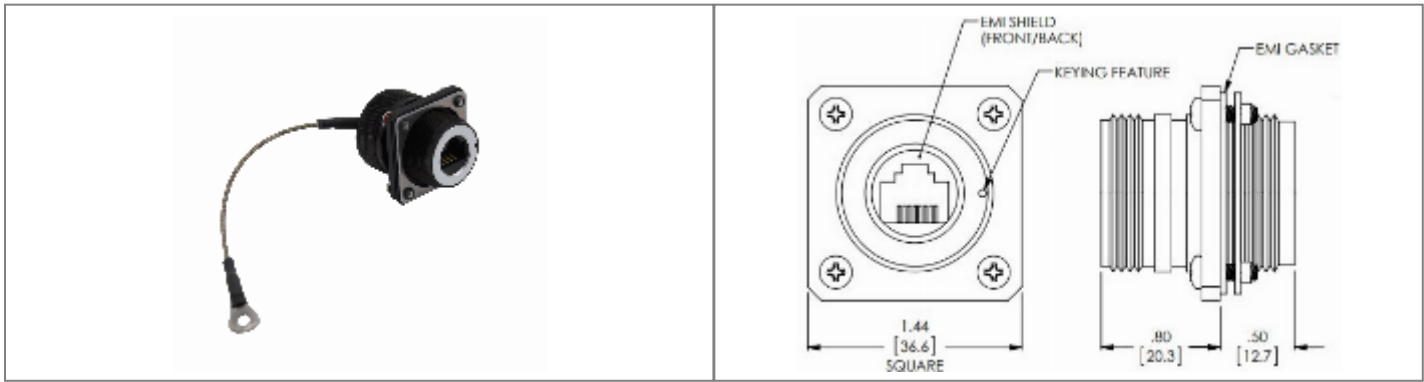


PXM06276FANBKUS Datasheet

Product Name // Black Anodised Aluminium Flange Mount Connector with Cap and Mounting Hardware - Unshielded - Cat6a Female

[View Product Page](#)



// Product Description:

- ⬢ Black Anodised Aluminium Flange Mount Connector with Cap and Mounting Hardware - Unshielded - Cat6a Female
- ⬢ IP68 rated when mated
- ⬢ Crimp Terminals
- ⬢ Durability >500 cycles
- ⬢ Operating temperature -40Â°C to +100Â°C
- ⬢ Supports 10, 100 and 1,000 Mbps data transmissions
- ⬢ POE, POE+, and POE++
- ⬢ Hardware: Stainless Steel, Seals: Silicone, Lanyard: Stainless Steel (Nylon coated)

// General Information:

<p>Product Display Title:</p> <p>Product Family:</p> <p>Product Series:</p> <p>Body Colour:</p> <p>Body Length:</p> <p>Body Material:</p> <p>Body Material Type:</p> <p>Connection Method:</p> <p>Contact Type:</p> <p>Coupling Type:</p> <p>Diameter Over Coupling Ring Mm:</p> <p>Durability:</p> <p>Ethernet Category:</p> <p>Flange Mount Length:</p> <p>Function:</p> <p>Ip Rating:</p> <p>Material Finish:</p> <p>Min Operating Temperature:</p> <p>Max Panel Thickness:</p> <p>Min Panel Thickness:</p> <p>Mount Hole Distance:</p> <p>Operating Humidity:</p> <p>Max Operating Frequency:</p> <p>Rohs Compliant:</p> <p>Salt Spray Corrosion Test:</p> <p>Shock Resistance:</p>	<p>Black Anodised Aluminium Flange Mount Connector with Cap and Mounting Hardware - Unshielded - Cat6a Female</p> <p>Circular Data Connectors</p> <p>600 Series - Ethernet Buccaneer Connectors</p> <p>Black</p> <p>33mm</p> <p>Aluminium</p> <p>Metal Body</p> <p>Latching</p> <p>Female</p> <p>Screw</p> <p>35mm</p> <p>>500 cycles</p> <p>Cat 6a</p> <p>36.6mm</p> <p>Flange Mount Connector</p> <p>IP68</p> <p>Anodised</p> <p>-40°C</p> <p>5mm</p> <p>1.5mm</p> <p>27mm</p> <p>43°C - 98%</p> <p>+100°C</p> <p>Yes</p> <p>500hr</p> <p>100G - 6ms</p>
---	---

// Product PDF Links

[Standard Series USB connectors...](#)

// Product 3D CAD Model Links

[PXM06276FANBKUS3D CAD Model](#)