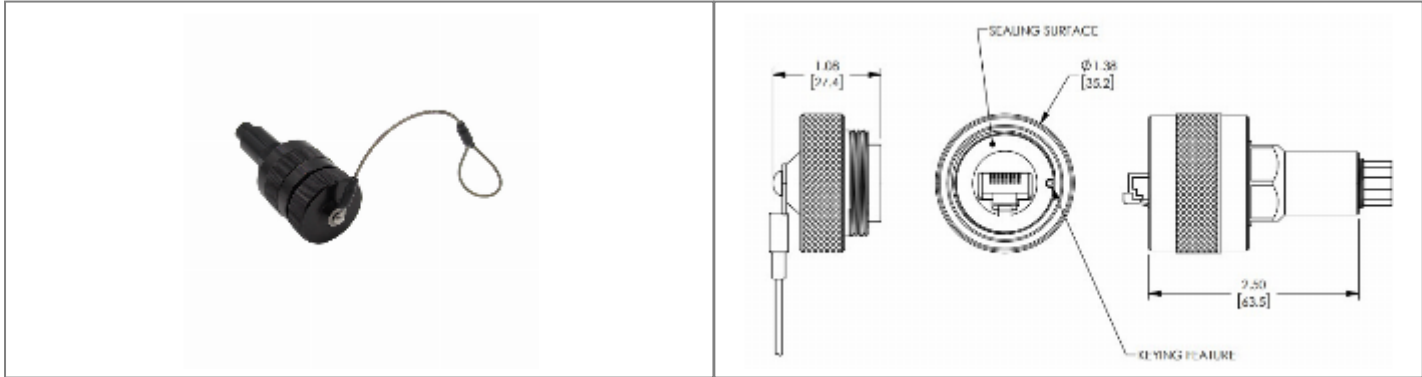


# PXM06006MENBK6883 Datasheet

**Product Name // Black Electroless Nickel Aluminium Plug Connector with Cap - Cable Entry: 6.88-8.38mm - Cat6a Male**

[View Product Page](#)



## // Product Description:

- ⊗ Black Electroless Nickel Aluminium Plug Connector with Cap - Cable Entry: 6.88-8.38mm - Cat6a Male
- ⊗ IP68 rated when mated
- ⊗ Crimp Terminals
- ⊗ Durability >500 cycles
- ⊗ Operating temperature -40Â°C to +100Â°C
- ⊗ Supports 10, 100 and 1,000 Mbps data transmissions
- ⊗ POE, POE+, and POE++
- ⊗ Hardware: Stainless Steel, Seals: Silicone, Lanyard: Stainless Steel (Nylon coated & 6.0" length)

## // General Information:

<b>Product Display Title:</b>	Black Electroless Nickel Aluminium Plug Connector with Cap - Cable Entry: 6.88-8.38mm - Cat6a Male
<b>Product Family:</b>	Circular Data Connectors
<b>Product Series:</b>	600 Series - Ethernet Buccaneer Connectors
<b>Body Colour:</b>	Black
<b>Body Length:</b>	61.7mm
<b>Body Material:</b>	Aluminium
<b>Body Material Type:</b>	Metal Body
<b>Connection Method:</b>	Crimp
<b>Contact Type:</b>	Male
<b>Coupling Type:</b>	Screw
<b>Diameter Over Coupling Ring Mm:</b>	35mm
<b>Durability:</b>	>500 cycles
<b>Ethernet Category:</b>	Cat 6a
<b>Function:</b>	Plug Connector
<b>Ip Rating:</b>	IP68
<b>Material Finish:</b>	Electroless Nickel
<b>Max Cable Entry Size:</b>	8.38mm
<b>Min Cable Entry Size:</b>	6.88mm
<b>Min Operating Temperature:</b>	-40°C
<b>Operating Humidity:</b>	43°C - 98%
<b>Max Operating Frequency:</b>	+100°C
<b>Rohs Compliant:</b>	Yes
<b>Salt Spray Corrosion Test:</b>	500hr
<b>Shock Resistance:</b>	100G - 6ms

**// Product PDF Links**

[Standard Series USB connectors...](#)

**// Product 3D CAD Model Links**

[PXM06006MENBK68833D CAD Model](#)