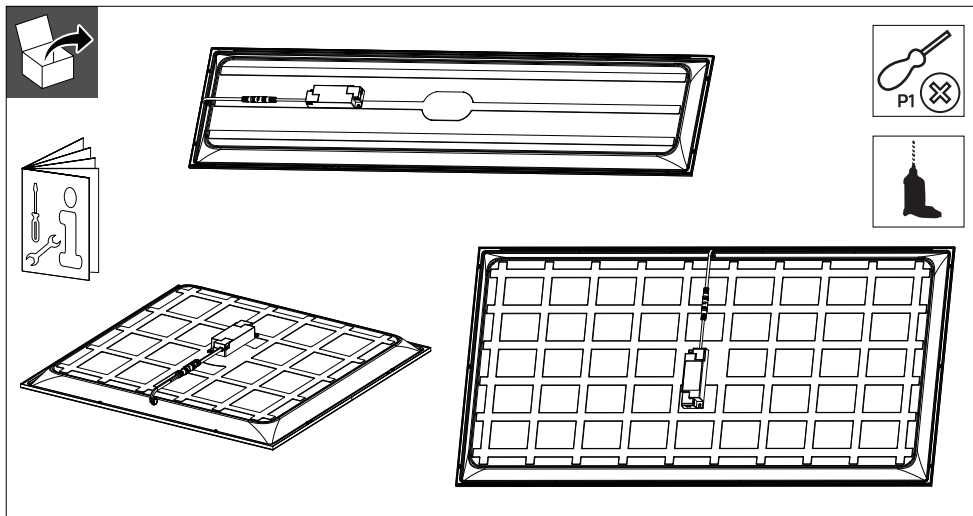


ECOLINK

Back-lit panel

RC007B



	Lumen (lm)	CCT (K)	P(W) with driver	Energy efficiency class of light source	L×W (mm)	H (mm)	H1 (mm)	
RC007B 34S/840 PSU W60L60 NOC TPb	3400	4000	34	E	595×595	34	59	1.60
RC007B 34S/840 PSU W60L60 OC TPa	3400	4000	34	E	595×595	35	60	1.85
RC007B 34S/840 PSU W30L120 OC TPa	3400	4000	34	E	1195×295	35	60	2.00
RC007B 60S/840 PSU W60L120 NOC TPb	6000	4000	50	D	1195×595	34	59	3.80

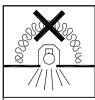
Available as accessory (optional)

<p>Suspension set: RC007Z SME-2 911401824280</p>	<p>Surface mounted set: Panel SMB W60L60 911401862982 Panel SMB W30L120 911401863082 Panel SMB W60L120 911401864784</p>	<p>Plaster set: RC007Z SMB-PLC 911401824180</p>	<p>Safety cable: RC065Z SC 911401892680</p>
--	---	---	---

VPC visible profile ceiling

Inrush current

	34W	50W
Electrical characteristics		
Imax (A)	16	21
Tref (us)	180	260
MCB Luminaires Max.		
B-10 A	16	7
B-13 A	21	10
B-16 A	26	12
C-10 A	21	11
C-13 A	28	15
C-16 A	35	19



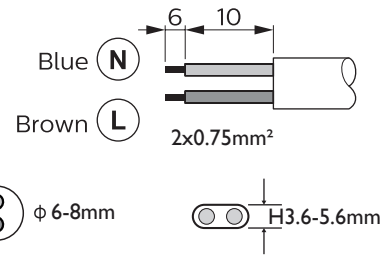
The luminaire shall, under no circumstance, be covered with thermal insulation matting or similar material.



If the external flexible cable or cord of this luminaire is damaged, it shall be exclusively replaced by the manufacturer or his service agent or a similar qualified person in order to avoid a hazard.

The light source contained in this luminaire shall only be replaced by the manufacturer or his service agent or a similar qualified person.

Luminaire must not be used or stored in corrosive environment where hazardous materials such as sulphur, chlorine, phthalates, etc. are present.

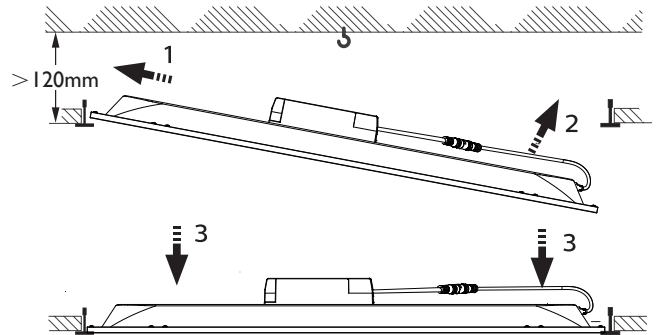
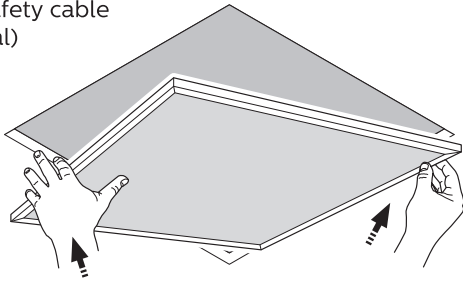


basic insulation between LV and control conductors

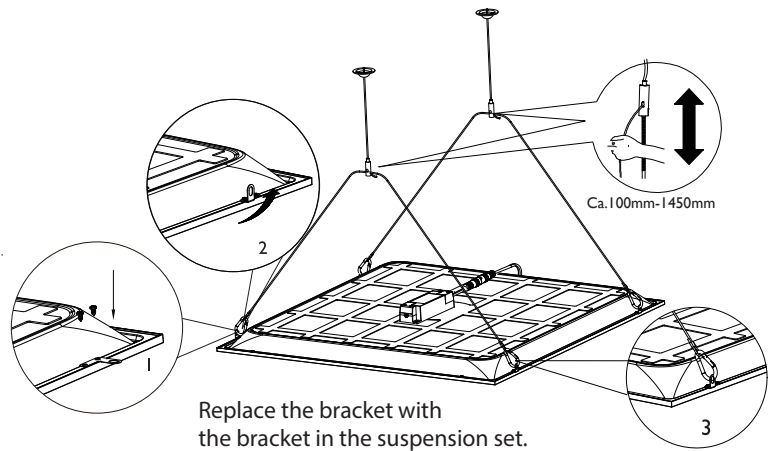
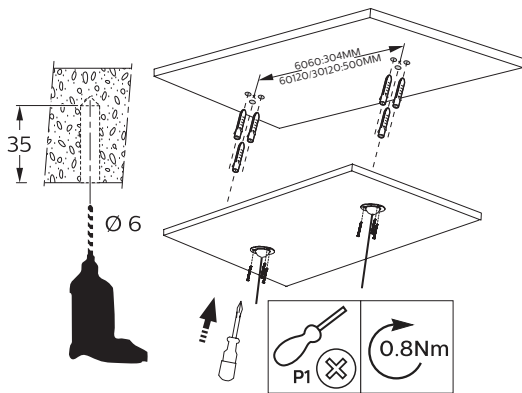
A Visible Profile Ceiling mounting (VPC)



Install safety cable (Optional)



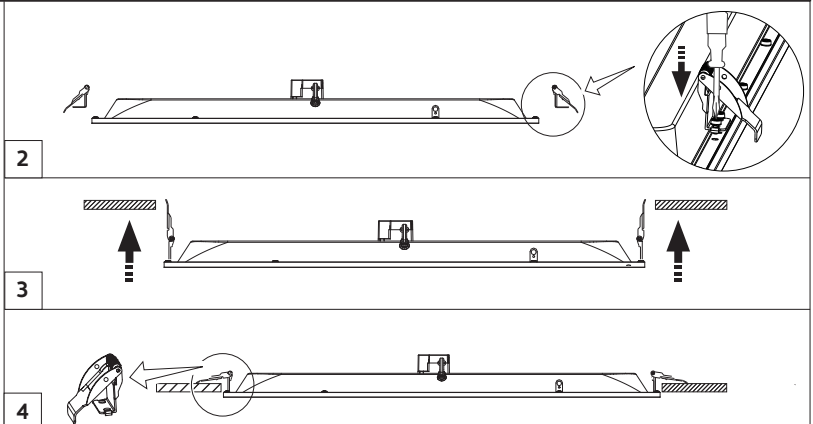
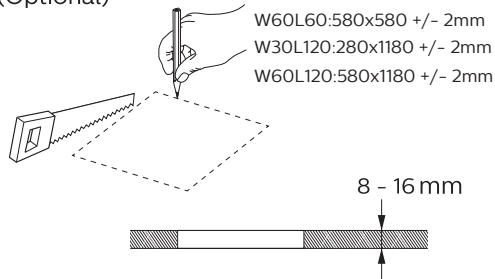
B Suspension mounting (SUS)



C Plaster Ceiling Version mounting (PCV)



Install safety cable (Optional)



D Safety cable

