



MASTER LEDspot ExpertColor LV



MASTER LED ExpertColor 6.7-35W MR16 930 10D

MASTER LEDspot LV ExpertColor creates a warm and comfortable ambience for hospitality venues, homes and restaurants. It creates such an ambience with superior lighting that has a customised spectrum, high CRI and deep dimming feature. The result? A beautiful lighting experience. What's more, the innovative, trimless lens design will suit almost any interior decor with its clean and neat look. In addition, you can take advantage of the full ExpertColor family, which also includes LEDspot MV lamps.

Product data

General information		Luminous flux in 90° cone (rated)	430 lm
Lighting Technology	LED	Operating and electrical	
Flux measurement reference	Narrow Cone	Line Frequency	- Hz
Switching Cycle	50,000	Input frequency	- Hz
Nominal lifetime	40,000 h	Power Consumption	6.7 W
Cap base	GU5.3 [GU5.3]	Lamp current (nom.)	650 mA
Light technical		Wattage equivalent	35 W
Colour Code	930 [CCT of 3000K]	Starting time (nom.)	0.5 s
Beam angle (nom.)	10 degree(s)	Warm-up time to 60% light	0.5 s
Luminous Flux	430 lm	Power Factor (Fraction)	0.7
Luminous intensity (nom.)	4,800 cd	Voltage (nom.)	ac electronic 12 V
Colour designation	White (WH)	Temperature	
Correlated Colour Temperature	3000 K	T-Case maximum (nom.)	92 °C
Luminous Efficacy (rated) (Nom)	64.00 lm/W		
Colour consistency	<3		
Colour rendering index (CRI)	97		
LLMF at end of nominal lifetime (nom.)	70 %		

MASTER LEDspot ExpertColor LV

Controls and dimming

Dimmable	Only with specific dimmers
----------	----------------------------

Mechanical and housing

Bulb shape	MR16 [2 inch/50 mm]
------------	---------------------

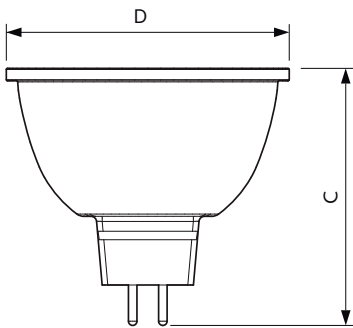
Approval and application

Energy Efficiency Class	G
Suitable for accent lighting	Yes
Energy consumption kWh/1,000 hours	7 kWh
EPREL registration number	624209
CE mark	Yes
EU RoHS compliant	Yes

Product data

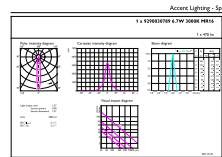
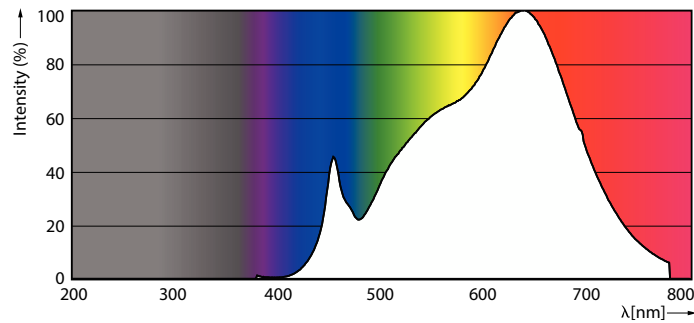
Full EOC	871951435849200
Order product name	MAS LED ExpertColor 6.7-35W MR16 930 10D
Order code	35849200
SAP numerator – quantity per pack	1
Numerator – packs per outer box	10
Material number (12NC)	929003078902
Full product name	MASTER LED ExpertColor 6.7-35W MR16 930 10D
EAN/UPC – Case	8719514358508

Dimensional drawing



Product	D	C
MAS LED ExpertColor 6.7-35W MR16 930 10D	50.5 mm	46 mm

Photometric data

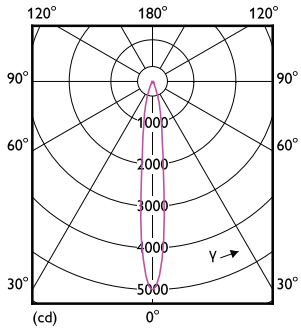


Spectral Power Distribution Colour - MAS LED ExpertColor 6.7-35W MR16 930 10D

Accent Lighting Spots - MAS LED ExpertColor 6.7-35W MR16 930 10D

MASTER LEDspot ExpertColor LV

Photometric data

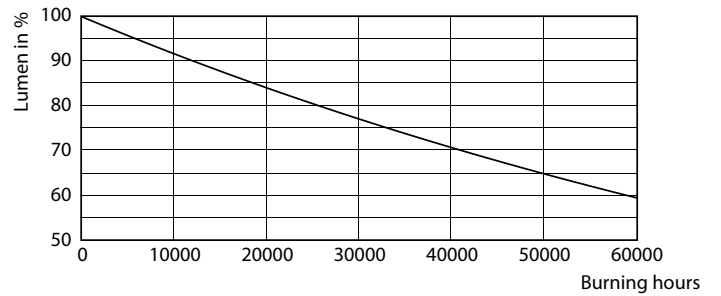


Light Distribution Diagram - MAS LED ExpertColor 6.7-35W MR16 930 10D

Lifetime



Life Expectancy Diagram - MAS LED ExpertColor 6.7-35W MR16 930 10D



Lumen Maintenance Diagram - MAS LED ExpertColor 6.7-35W MR16 930 10D

