



MASTER LEDspot ExpertColor LV



MASTER LED ExpertColor 6.7-35W MR16 927 24D

MASTER LEDspot LV ExpertColor creates a warm and comfortable ambience for hospitality venues, homes and restaurants. It creates such an ambience with superior lighting that has a customised spectrum, high CRI and deep dimming feature. The result? A beautiful lighting experience. What's more, the innovative, trimless lens design will suit almost any interior decor with its clean and neat look. In addition, you can take advantage of the full ExpertColor family, which also includes LEDspot MV lamps.

Product data

General information	
Lighting Technology	LED
Flux measurement reference	Narrow Cone
Switching Cycle	50,000
Nominal lifetime	40,000 h
Cap base	GU5.3 [GU5.3]

Light technical	
Colour Code	927 [CCT of 2700K]
Beam angle (nom.)	24 degree(s)
Luminous Flux	420 lm
Luminous intensity (nom.)	2,100 cd
Colour designation	Warm White (WW)
Correlated Colour Temperature	2700 K
Luminous Efficacy (rated) (Nom)	62.00 lm/W
Colour consistency	<3
Colour rendering index (CRI)	97
LLMF at end of nominal lifetime (nom.)	70 %

Luminous flux in 90° cone (rated)	420 lm
-----------------------------------	--------

Operating and electrical	
Line Frequency	- Hz
Input frequency	- Hz
Power Consumption	6.7 W
Lamp current (nom.)	650 mA
Wattage equivalent	35 W
Starting time (nom.)	0.5 s
Warm-up time to 60% light	0.5 s
Power Factor (Fraction)	0.7
Voltage (nom.)	ac electronic 12 V

Temperature	
T-Case maximum (nom.)	92 °C

MASTER LEDspot ExpertColor LV

Controls and dimming

Dimmable	Only with specific dimmers
----------	----------------------------

Mechanical and housing

Bulb shape	MR16 [2 inch/50 mm]
------------	---------------------

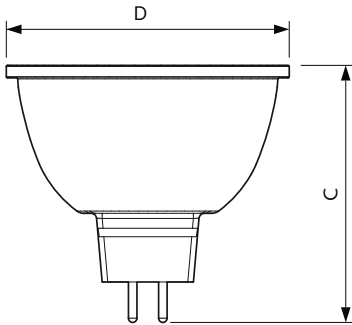
Approval and application

Energy Efficiency Class	G
Suitable for accent lighting	Yes
Energy consumption kWh/1,000 hours	7 kWh
EPREL registration number	624217
CE mark	Yes
EU RoHS compliant	Yes

Product data

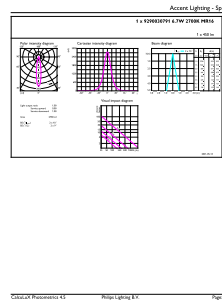
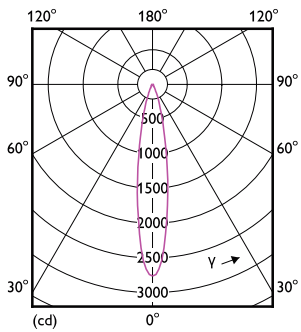
Full EOC	871951435853900
Order product name	MAS LED ExpertColor 6.7-35W MR16 927 24D
Order code	35853900
SAP numerator – quantity per pack	1
Numerator – packs per outer box	10
Material number (12NC)	929003079102
Full product name	MASTER LED ExpertColor 6.7-35W MR16 927 24D
EAN/UPC – Case	8719514358546

Dimensional drawing



Product	D	C
MAS LED ExpertColor 6.7-35W MR16 927 24D	50.5 mm	46 mm

Photometric data

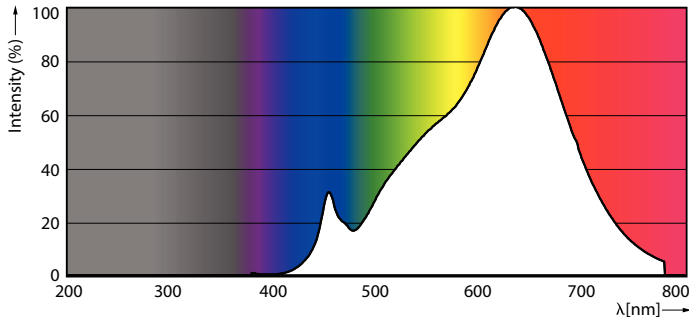


Light Distribution Diagram - MAS LED ExpertColor 6.7-35W MR16 927 24D

Accent Lighting Spots - MAS LED ExpertColor 6.7-35W MR16 927 24D

MASTER LEDspot ExpertColor LV

Photometric data



Spectral Power Distribution Colour - MAS LED ExpertColor 6.7-35W MR16 927 24D

Lifetime



Life Expectancy Diagram - MAS LED ExpertColor 6.7-35W MR16 927 24D



Lumen Maintenance Diagram - MAS LED ExpertColor 6.7-35W MR16 927 24D

