



MASTER LEDspot ExpertColor LV



MASTER LED ExpertColor 6.7-35W MR16 930 24D

MASTER LEDspot LV ExpertColor creates a warm and comfortable ambience for hospitality venues, homes and restaurants. It creates such an ambience with superior lighting that has a customised spectrum, high CRI and deep dimming feature. The result? A beautiful lighting experience. What's more, the innovative, trimless lens design will suit almost any interior decor with its clean and neat look. In addition, you can take advantage of the full ExpertColor family, which also includes LEDspot MV lamps.

Product data

General information		Luminous flux in 90° cone (rated)	
Lighting Technology	LED		440 lm
Flux measurement reference	Narrow Cone	Operating and electrical	
Switching Cycle	50,000	Line Frequency	- Hz
Nominal lifetime	40,000 h	Input frequency	- Hz
Cap base	GU5.3 [GU5.3]	Power Consumption	6.7 W
Light technical		Lamp current (nom.)	650 mA
Colour Code	930 [CCT of 3000K]	Wattage equivalent	35 W
Beam angle (nom.)	24 degree(s)	Starting time (nom.)	0.5 s
Luminous Flux	440 lm	Warm-up time to 60% light	0.5 s
Luminous intensity (nom.)	2,200 cd	Power Factor (Fraction)	0.7
Colour designation	White (WH)	Voltage (nom.)	ac electronic 12 V
Correlated Colour Temperature	3000 K	Temperature	
Luminous Efficacy (rated) (Nom)	65.00 lm/W	T-Case maximum (nom.)	92 °C
Colour consistency	<3		
Colour rendering index (CRI)	97		
LLMF at end of nominal lifetime (nom.)	70 %		

MASTER LEDspot ExpertColor LV

Controls and dimming

Dimmable	Only with specific dimmers
----------	----------------------------

Mechanical and housing

Bulb shape	MR16 [2 inch/50 mm]
------------	---------------------

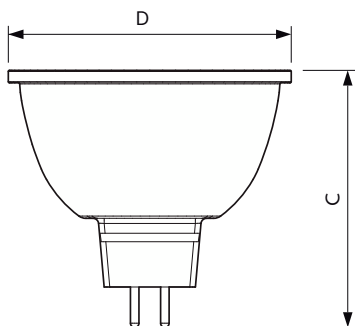
Approval and application

Energy Efficiency Class	G
Suitable for accent lighting	Yes
Energy consumption kWh/1,000 hours	7 kWh
EPREL registration number	624214
CE mark	Yes
EU RoHS compliant	Yes

Product data

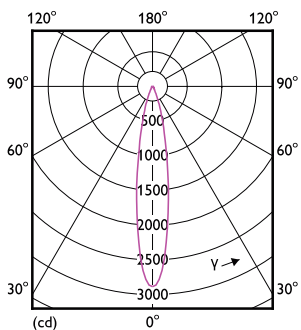
Full EOC	871951435855300
Order product name	MAS LED ExpertColor 6.7-35W MR16 930 24D
Order code	35855300
SAP numerator – quantity per pack	1
Numerator – packs per outer box	10
Material number (12NC)	929003079202
Full product name	MASTER LED ExpertColor 6.7-35W MR16 930 24D
EAN/UPC – Case	8719514358560

Dimensional drawing

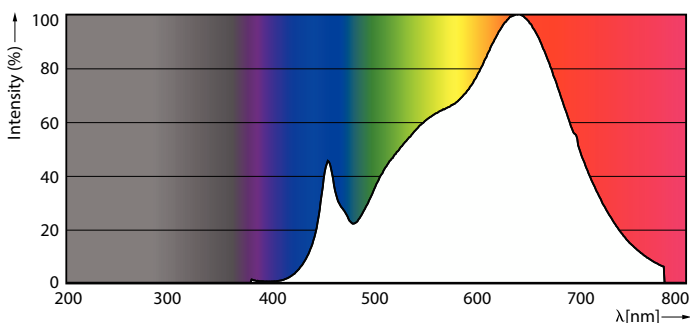


Product	D	C
MAS LED ExpertColor 6.7-35W MR16 930 24D	50.5 mm	46 mm

Photometric data



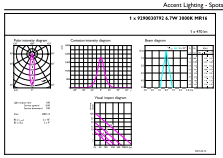
Light Distribution Diagram - MAS LED ExpertColor 6.7-35W MR16 930 24D



Spectral Power Distribution Colour - MAS LED ExpertColor 6.7-35W MR16 930 24D

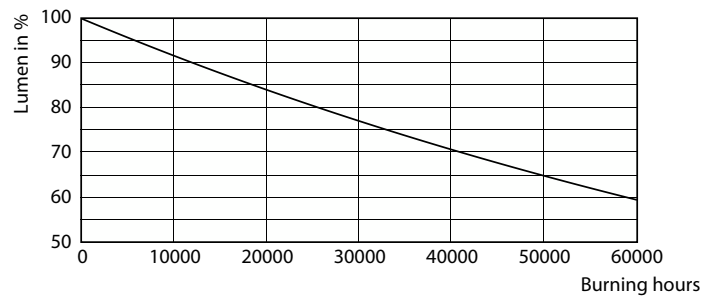
MASTER LEDspot ExpertColor LV

Photometric data



Accent Lighting Spots - MAS LED ExpertColor 6.7-35W MR16 930 24D

Lifetime



Life Expectancy Diagram - MAS LED ExpertColor 6.7-35W MR16 930 24D

Lumen Maintenance Diagram - MAS LED ExpertColor 6.7-35W MR16 930 24D

