



MASTER LEDspot ExpertColor LV



MASTER LED ExpertColor 6.7-35W MR16 940 24D

MASTER LEDspot LV ExpertColor creates a warm and comfortable ambience for hospitality venues, homes and restaurants. It creates such an ambience with superior lighting that has a customised spectrum, high CRI and deep dimming feature. The result? A beautiful lighting experience. What's more, the innovative, trimless lens design will suit almost any interior decor with its clean and neat look. In addition, you can take advantage of the full ExpertColor family, which also includes LEDspot MV lamps.

Product data

General information		Luminous flux in 90° cone (rated)	460 lm
Lighting Technology	LED	Operating and electrical	
Flux measurement reference	Narrow Cone	Line Frequency	- Hz
Switching Cycle	50,000	Input frequency	- Hz
Nominal lifetime	40,000 h	Power Consumption	6.7 W
Cap base	GU5.3 [GU5.3]	Lamp current (nom.)	650 mA
Light technical		Wattage equivalent	35 W
Colour Code	940 [CCT of 4000K]	Starting time (nom.)	0.5 s
Beam angle (nom.)	24 degree(s)	Warm-up time to 60% light	0.5 s
Luminous Flux	460 lm	Power Factor (Fraction)	0.7
Luminous intensity (nom.)	2,200 cd	Voltage (nom.)	ac electronic 12 V
Colour designation	Cool White (CW)	Temperature	
Correlated Colour Temperature	4000 K	T-Case maximum (nom.)	92 °C
Luminous Efficacy (rated) (Nom)	68.00 lm/W		
Colour consistency	<3		
Colour rendering index (CRI)	97		
LLMF at end of nominal lifetime (nom.)	70 %		

MASTER LEDspot ExpertColor LV

Controls and dimming

Dimmable	Only with specific dimmers
----------	----------------------------

Mechanical and housing

Bulb shape	MR16 [2 inch/50 mm]
------------	---------------------

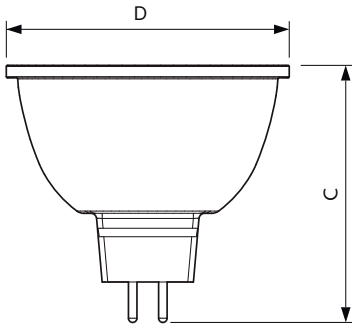
Approval and application

Energy Efficiency Class	G
Suitable for accent lighting	Yes
Energy consumption kWh/1,000 hours	7 kWh
EPREL registration number	624218
CE mark	Yes
EU RoHS compliant	Yes

Product data

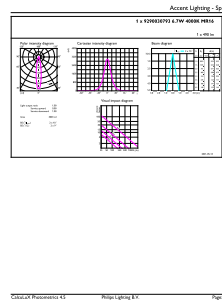
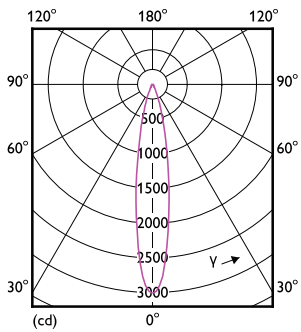
Full EOC	871951435857700
Order product name	MAS LED ExpertColor 6.7-35W MR16 940 24D
Order code	35857700
SAP numerator – quantity per pack	1
Numerator – packs per outer box	10
Material number (12NC)	929003079302
Full product name	MASTER LED ExpertColor 6.7-35W MR16 940 24D
EAN/UPC – Case	8719514358584

Dimensional drawing



Product	D	C
MAS LED ExpertColor 6.7-35W MR16 940 24D	50.5 mm	46 mm

Photometric data

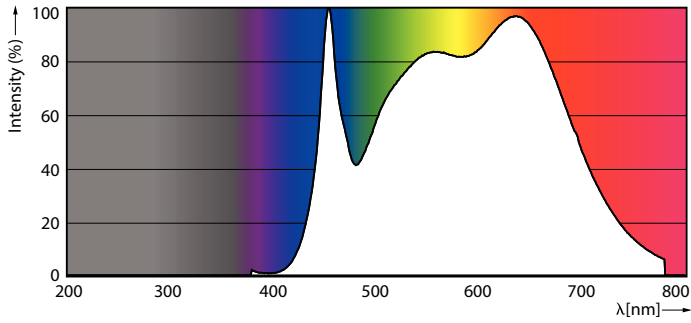


Light Distribution Diagram - MAS LED ExpertColor 6.7-35W MR16 940 24D

Accent Lighting Spots - MAS LED ExpertColor 6.7-35W MR16 940 24D

MASTER LEDspot ExpertColor LV

Photometric data



Spectral Power Distribution Colour - MAS LED ExpertColor 6.7-35W MR16 940 24D

Lifetime



Life Expectancy Diagram - MAS LED ExpertColor 6.7-35W MR16 940 24D



Lumen Maintenance Diagram - MAS LED ExpertColor 6.7-35W MR16 940 24D

