



# MASTER LEDspot ExpertColor LV



## MAS LED ExpertColor 7.5-43W MR16 927 24D

MASTER LEDspot LV ExpertColor creates a warm and comfortable ambience for hospitality venues, homes and restaurants. It creates such an ambience with superior lighting that has a customized spectrum, high CRI, and deep dimming feature. The result? A beautiful lighting experience. What's more, the innovative, trimless lens design will suit almost any interior decor with its clean and neat look. In addition, you can take advantage of the full ExpertColor family, which also includes LEDspot MV and LEDspot Par lamps.

### Product data

General Information		Luminous Flux in 90° Cone (Rated)	485 lumen
Lighting Technology	LED	Operating and Electrical	
Flux measurement reference	Narrow Cone	Line Frequency	- Hz
Switching Cycle	50,000	Input Frequency	- Hz
Nominal lifetime	40,000 hour(s)	Power Consumption	7.5 W
Cap-Base	GU5.3 [GU5.3]	Lamp Current (Nom)	720 mA
Light Technical		Wattage Equivalent	43 W
Color Code	927 [CCT of 2700K]	Starting Time (Nom)	0.5 s
Beam Angle (Nom)	24 degree(s)	Warm-up time to 60% light	0.5 s
Luminous Flux	485 lumen	Power Factor (Fraction)	0.7
Luminous Intensity (Nom)	2,400 cd	Voltage (Nom)	ac electronic 12 V
Color Designation	Warm White (WW)	Temperature	
Correlated Color Temperature (Nom)	2700 K	T-Case Maximum (Nom)	93 °C
Luminous Efficacy (rated) (Nom)	64.00 lm/W		
Color Consistency	<3		
Color rendering index (CRI)	92		
LLMF At End Of Nominal Lifetime (Nom)	70 %		

# MASTER LEDspot ExpertColor LV

## Controls and Dimming

Dimmable	Only with specific dimmers
----------	----------------------------

## Mechanical and Housing

Bulb Shape	MR16 [2inch/50mm]
------------	-------------------

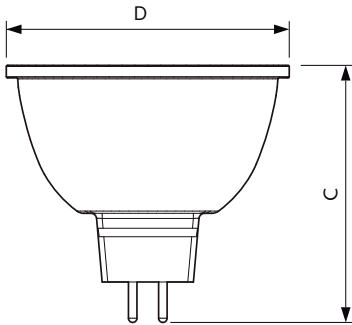
## Approval and Application

Energy Efficiency Class	G
Suitable For Accent Lighting	Yes
Energy Consumption kWh/1000 h	8 kWh
EPREL Registration Number	624208
CE mark	Yes
EU RoHS compliant	Yes

## Product Data

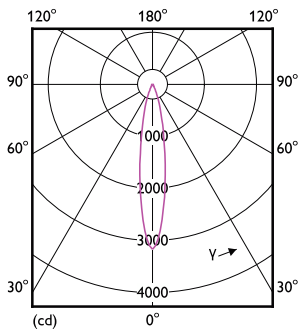
Full product code	871951435865200
Order product name	MAS LED ExpertColor 7.5-43W MR16 927 24D
Order code	929003079702
Numerator - Quantity Per Pack	1
Numerator - Packs per outer box	10
Material number (12NC)	929003079702
Full product name	MAS LED ExpertColor 7.5-43W MR16 927 24D
EAN/UPC - Case	8719514358669

## Dimensional drawing

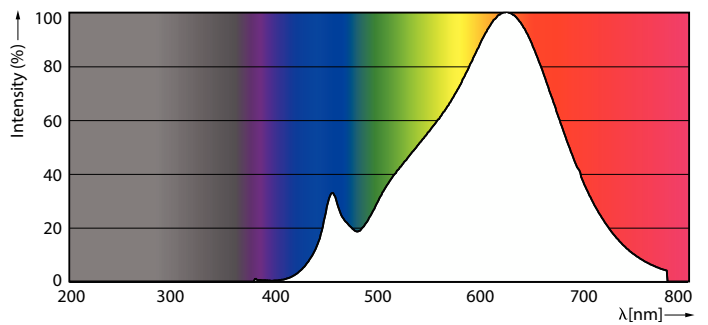


Product	D	C
MAS LED ExpertColor 7.5-43W MR16 927 24D	50.5 mm	46 mm

## Photometric data



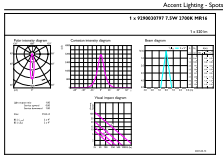
Light Distribution Diagram - MAS LED ExpertColor 7.5-43W MR16 927 24D



Spectral Power Distribution Colour - MAS LED ExpertColor 7.5-43W MR16 927 24D

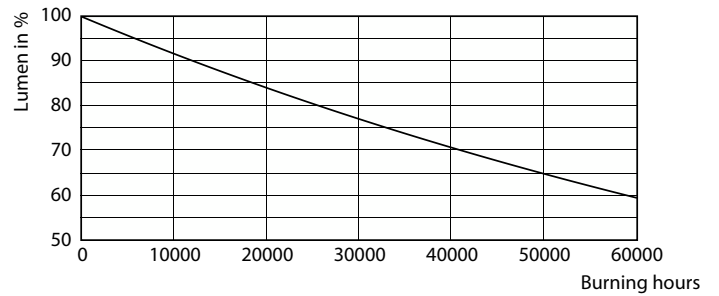
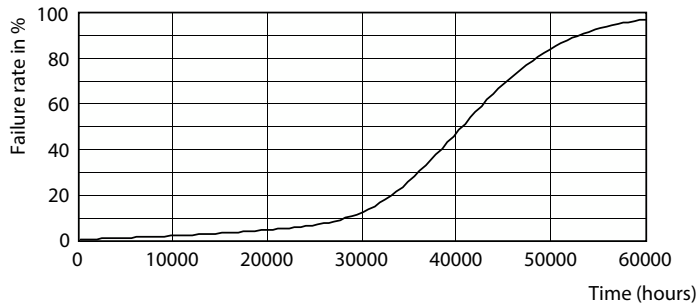
# MASTER LEDspot ExpertColor LV

## Photometric data



Accent Lighting Spots - MAS LED ExpertColor 7.5-43W MR16 927 24D

## Lifetime



Life Expectancy Diagram - MAS LED ExpertColor 7.5-43W MR16 927 24D

Lumen Maintenance Diagram - MAS LED ExpertColor 7.5-43W MR16 927 24D

