



# MASTER VALUE LEDs pot LV



## MASTER LED spot VLE D 5.8-35W MR16 927 36D

Philips MASTER VALUE MR16 is the series of Low Voltage (12 VAC) Halogen MR16 replacements. Not only does it employ Philips' patented solution to guarantee the broadest possible compatibility with standard 12 V Halogen electronic transformers, it also delivers beam intensity which is equivalent to the 50 W Philips Halogen MR16 lamps. The form-factor of Philips MASTER Value LED MR16 guarantees a 100% form on the back-side of the lamp (exact fit with Halogen lamps.)

### Warnings and Safety

- Operating temperature range is between -20° C and 45° C ambient
- Only to apply in dry or damp locations and most of open fixtures with lamp-holders that offer sufficient space (10 mm free air space)
- Not intended for use with emergency light fixtures or exit lights

### Product data

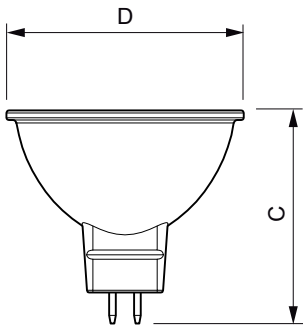
General information		Correlated Colour Temperature	
Lighting Technology	LED	Correlated Colour Temperature	2700 K
Flux measurement reference	Narrow Cone	Luminous Efficacy (rated) (Nom)	77 lm/W
Switching Cycle	50,000	Colour consistency	<6
Nominal lifetime	25,000 h	Colour rendering index (CRI)	90
Cap base	GU5.3 [GU5.3]	LLMF at end of nominal lifetime (nom.)	70 %
Light technical		Luminous flux in 90° cone (rated)	450 lm
Colour Code	927 [CCT of 2700K]	Operating and electrical	
Beam angle (nom.)	36 degree(s)	Line Frequency	- Hz
Luminous Flux	450 lm	Input frequency	- Hz
Luminous intensity (nom.)	1,300 cd	Power Consumption	5.8 W
Colour designation	Warm White (WW)	Lamp current (nom.)	510 mA
		Wattage equivalent	35 W

# MASTER VALUE LEDspot LV

Starting time (nom.)	0.5 s
Warm-up time to 60% light	0.5 s
Power Factor (Fraction)	0.7
Voltage (nom.)	ac electronic 12 V
<b>Temperature</b>	
T-Case maximum (nom.)	85 °C
<b>Controls and dimming</b>	
Dimmable	Only with specific dimmers
<b>Mechanical and housing</b>	
Bulb shape	MR16 [2 inch/50 mm]
<b>Approval and application</b>	
Energy Efficiency Class	G
Suitable for accent lighting	Yes

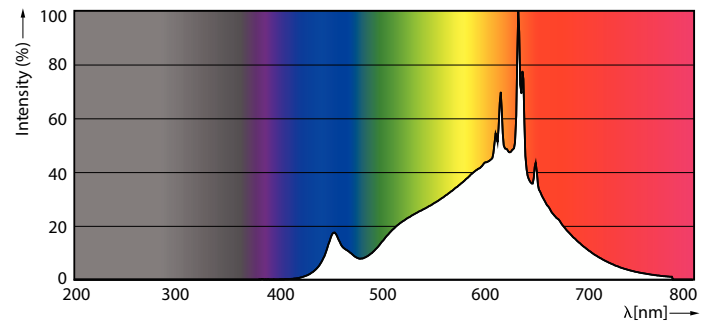
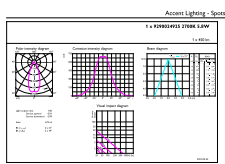
Energy consumption kWh/1,000 hours	6 kWh
EPREL registration number	453173
CE mark	Yes
EU RoHS compliant	Yes
<b>Product data</b>	
Full EOC	871951430718600
Order product name	MAS LED spot VLE D 5.8-35W MR16 927 36D
Order code	30718600
SAP numerator – quantity per pack	1
Numerator – packs per outer box	10
Material number (12NC)	929002492502
Full product name	MASTER LED spot VLE D 5.8-35W MR16 927 36D
EAN/UPC - Case	8719514307193

## Dimensional drawing



Product	D	C
MAS LED spot VLE D 5.8-35W MR16 927 36D	50.5 mm	45.5 mm

## Photometric data

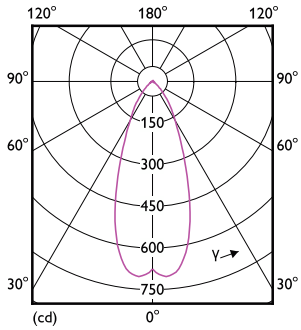


Accent Lighting Spots - MAS LED spot VLE D 5.8-35W MR16 927 36D

Spectral Power Distribution Colour - MAS LED spot VLE D 5.8-35W MR16 927 36D

# MASTER VALUE LEDspot LV

## Photometric data



Light Distribution Diagram - MAS LED spot VLE D 5.8-35W MR16 927 36D

## Lifetime



Life Expectancy Diagram - MAS LED spot VLE D 5.8-35W MR16 927 36D



Lumen Maintenance Diagram - MAS LED spot VLE D 5.8-35W MR16 927 36D

