



# MASTER VALUE LEDs pot LV



## MASTER LED SPOT VLE D 7.5-50W MR16 927 36D

Philips MASTER VALUE MR16 is the series of Low Voltage (12 VAC) Halogen MR16 replacements. Not only does it employ Philips' patented solution to guarantee the broadest possible compatibility with standard 12 V Halogen electronic transformers, it also delivers beam intensity which is equivalent to the 50 W Philips Halogen MR16 lamps. The form-factor of Philips MASTER Value LED MR16 guarantees a 100% form on the back-side of the lamp (exact fit with Halogen lamps.)

### Warnings and Safety

- Operating temperature range is between -20° C and 45° C ambient
- Only to apply in dry or damp locations and most of open fixtures with lamp-holders that offer sufficient space (10 mm free air space)
- Not intended for use with emergency light fixtures or exit lights

### Product data

General information	
Lighting Technology	LED
Flux measurement reference	Narrow Cone
Switching Cycle	50,000
Nominal lifetime	25,000 h
Cap base	GU5.3 [GU5.3]

Light technical	
Colour Code	927 [CCT of 2700K]
Beam angle (nom.)	36 degree(s)
Luminous Flux	621 lm
Luminous intensity (nom.)	1,600 cd
Colour designation	Warm White (WW)

Correlated Colour Temperature	2700 K
Luminous Efficacy (rated) (Nom)	82 lm/W
Colour consistency	<6
Colour rendering index (CRI)	90
LLMF at end of nominal lifetime (nom.)	70 %
Luminous flux in 90° cone (rated)	621 lm

Operating and electrical	
Line Frequency	- Hz
Input frequency	- Hz
Power Consumption	7.5 W
Lamp current (nom.)	660 mA
Wattage equivalent	50 W

# MASTER VALUE LEDspot LV

Starting time (nom.)	0.5 s
Warm-up time to 60% light	0.5 s
Power Factor (Fraction)	0.7
Voltage (nom.)	ac electronic 12 V

## Temperature

T-Case maximum (nom.)	95 °C
-----------------------	-------

## Controls and dimming

Dimmable	Only with specific dimmers
----------	----------------------------

## Mechanical and housing

Bulb shape	MR16 [2 inch/50 mm]
------------	---------------------

## Approval and application

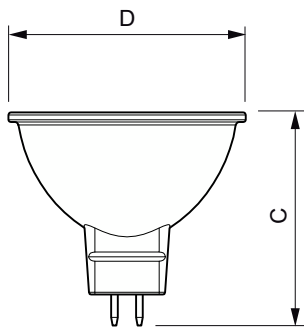
Energy Efficiency Class	F
Suitable for accent lighting	Yes

Energy consumption kWh/1,000 hours	8 kWh
EPREL registration number	453180
CE mark	Yes
EU RoHS compliant	Yes

## Product data

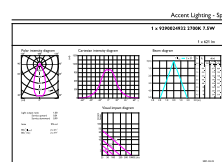
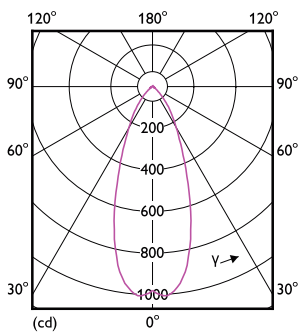
Full EOC	871951430732200
Order product name	MAS LED SPOT VLE D 7.5-50W MR16 927 36D
Order code	30732200
SAP numerator – quantity per pack	1
Numerator – packs per outer box	10
Material number (12NC)	929002493202
Full product name	MASTER LED SPOT VLE D 7.5-50W MR16 927 36D
EAN/UPC - Case	8719514307339

## Dimensional drawing



Product	D	C
MAS LED SPOT VLE D 7.5-50W MR16 927 36D	50.5 mm	45.5 mm

## Photometric data

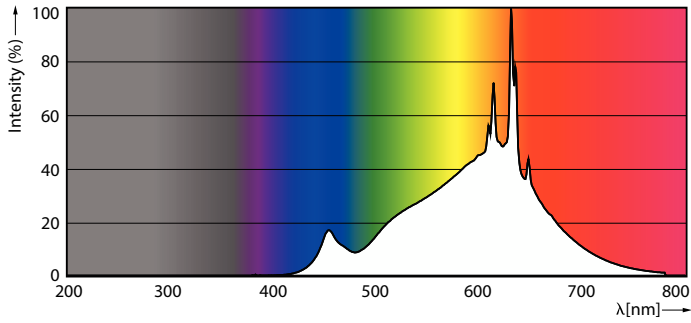


Light Distribution Diagram - MAS LED SPOT VLE D 7.5-50W MR16 927 36D

Accent Lighting Spots - MAS LED SPOT VLE D 7.5-50W MR16 927 36D

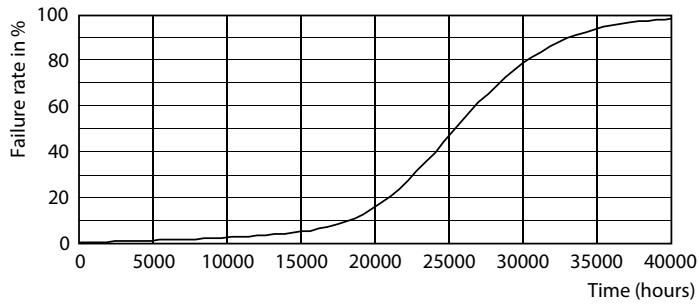
# MASTER VALUE LEDspot LV

## Photometric data



Spectral Power Distribution Colour - MAS LED SPOT VLE D 7.5-50W MR16 927 36D

## Lifetime



Life Expectancy Diagram - MAS LED SPOT VLE D 7.5-50W MR16 927 36D



Lumen Maintenance Diagram - MAS LED SPOT VLE D 7.5-50W MR16 927 36D

