



CorePro LEDspot LV



CorePro LED spot ND 7-50W MR16 827 36D

CorePro LEDspots are a perfect fit for spot lighting and deliver warm halogen-like light. They are compatible with most existing fixtures with MR16 GU5.3 holders and are designed as a retrofit replacement for halogen or incandescent spots. LEDlamps deliver huge energy savings and minimize maintenance cost.

Product data

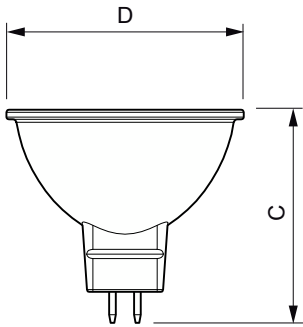
General information		Power Consumption	
Lighting Technology	LED		7 W
Flux measurement reference	Narrow Cone	Lamp current (nom.)	730 mA
Switching Cycle	50,000	Wattage equivalent	50 W
Nominal lifetime	15,000 h	Starting time (nom.)	0.5 s
Cap base	GU5.3 [GU5.3]	Warm-up time to 60% light	0.5 s
		Power Factor (Fraction)	0.8
		Voltage (nom.)	12 V
Light technical		Temperature	
Colour Code	827 [CCT of 2700K]	T-Case maximum (nom.)	85 °C
Beam angle (nom.)	36 degree(s)		
Luminous Flux	621 lm	Controls and dimming	
Luminous intensity (nom.)	1,400 cd	Dimmable	No
Colour designation	Warm White (WW)		
Correlated Colour Temperature	2700 K	Mechanical and housing	
Luminous Efficacy (rated) (Nom)	88 lm/W	Bulb shape	MR16 [2 inch/50 mm]
Colour consistency	<6		
Colour rendering index (CRI)	80	Approval and application	
LLMF at end of nominal lifetime (nom.)	70 %	Energy Efficiency Class	F
Luminous flux in 90° cone (rated)	621 lm	Suitable for accent lighting	Yes
		Energy consumption kWh/1,000 hours	7 kWh
Operating and electrical		EPREL registration number	465221
Line Frequency	- Hz	CE mark	Yes
Input frequency	- Hz		

CorePro LEDspot LV

EU RoHS compliant	Yes
Product data	
Full EOC	871869681471000
Order product name	CorePro LED spot ND 7-50W MR16 827 36D
Order code	81471000
SAP numerator – quantity per pack	1

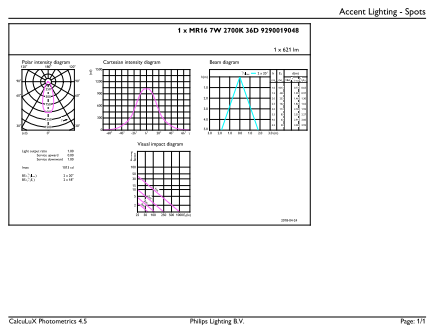
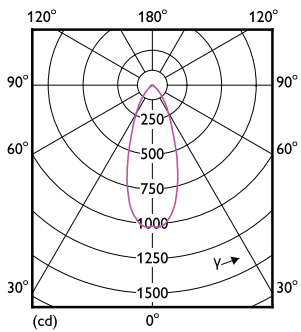
Numerator – packs per outer box	10
Material number (12NC)	929001904802
Full product name	CorePro LED spot ND 7-50W MR16 827 36D
EAN/UPC – Case	8718696814727

Dimensional drawing



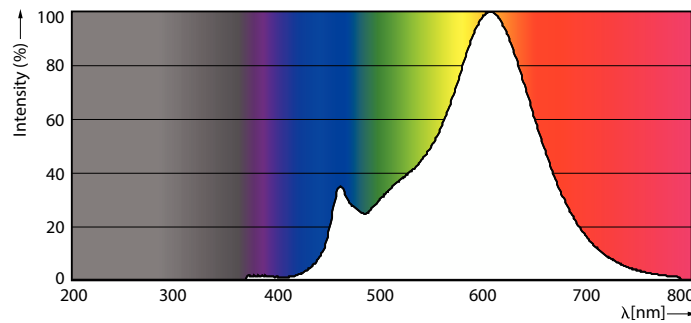
Product	D	C
CorePro LED spot ND 7-50W MR16 827 36D	50.5 mm	45 mm

Photometric data



Light Distribution Diagram - CorePro LED spot ND 7-50W MR16 827 36D

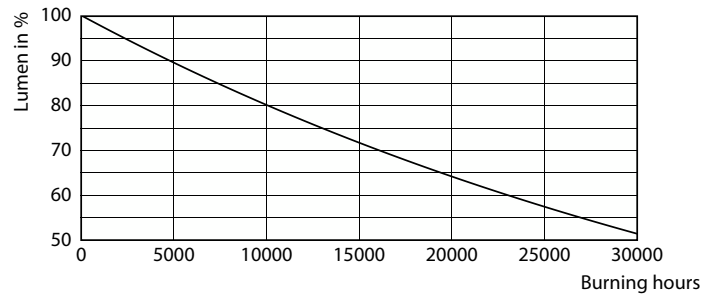
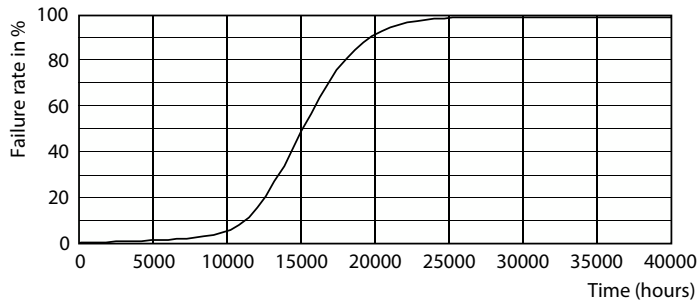
Accent Lighting Spots - CorePro LED spot ND 7-50W MR16 827 36D



Spectral Power Distribution Colour - CorePro LED spot ND 7-50W MR16 827 36D

CorePro LEDspot LV

Lifetime



Life Expectancy Diagram - CorePro LED spot ND 7-50W MR16 827 36D

Lumen Maintenance Diagram - CorePro LED spot ND 7-50W MR16 827 36D

