

Miniature Speaker

multicomp PRO

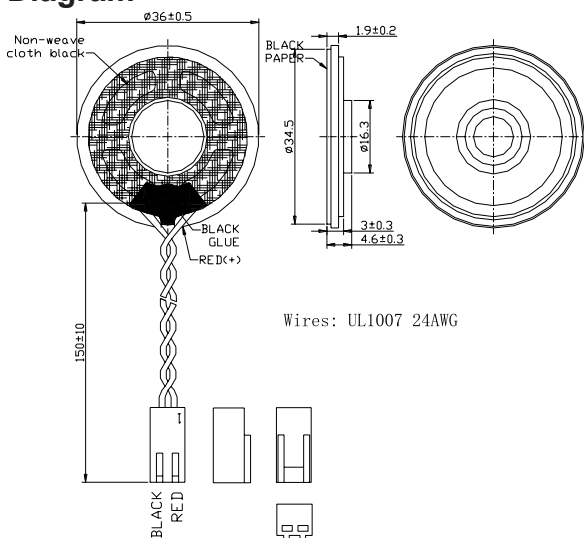
**RoHS
Compliant**



Specifications

Rated Input Power	: 1W
Rated Power (Maximum)	: 1.2W
Rated Impedance	: $8\Omega \pm 15\%$ / 2kHz / 1V
Resonant Frequency	: 550Hz $\pm 20\%$ / 1V
Rated Frequency Range	: fo to 11,000Hz
Sound output level at 1W/1m	: 85dB ± 3 at (AVG 0.8,1.0,1.2,1.5) kHz 1W/1m
Frequency Range	: F0Hz ~ 11kHz
Total Harmonic Distortion	: 5% Max. at 1kHz, 1.0W
Flux Density	: 0.6T
Polarity	: When a positive DC Current is applied to the voice coil terminal marked +or red ,the diaphragm shall move forward
Buzz, Rattle, etc.	: Should not be audible at 2.83V sine wave between (F0Hz ~ 11kHz)
Operating Temperature Range	: -20°C to +60°C
Storage Temperature Range	: -30°C to +60°C
Weight	: 9.4g
Magnet Material	: Nd-Fe-B
Voice Coil Diameter	: $\varnothing 13.28\text{mm}$
Magnet Size	: $\varnothing 12.5\text{mm} \times 1.5\text{mm}$
Dimension	: $\varnothing 36\text{mm} \times 4.6\text{mm}$

Diagram



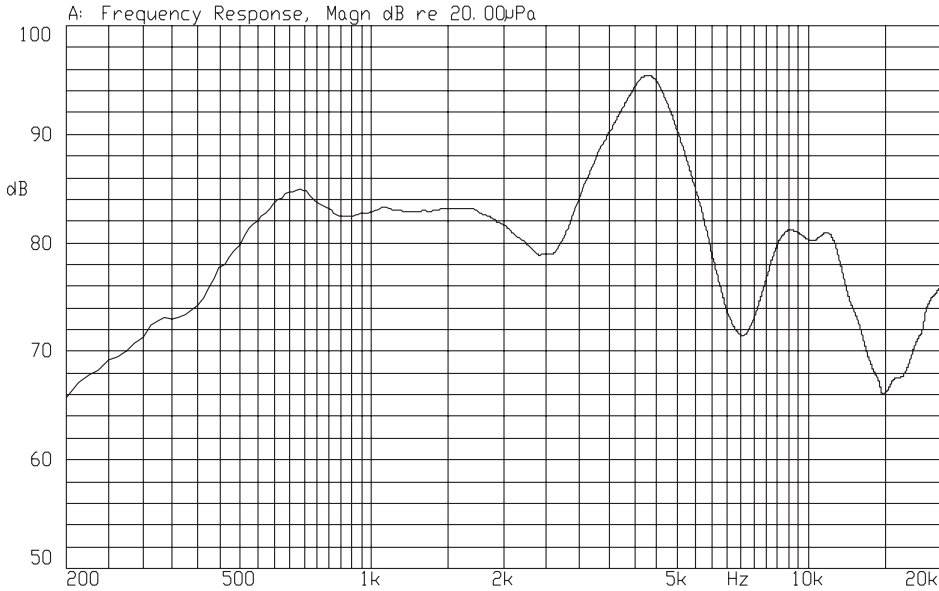
Dimensions : Millimetres
Tolerance: $\pm 0.3\text{mm}$

No.	Part Name	Material	Qty.
1.	Frame	SPCC	1
2.	Diaphragm	Black PET	
3.	Voice coil	Copper wire	
4.	Plate	SPCC	
5.	Magnet	NdFeB	
6.	PCB	Epoxy	
7.	Front Gasket	Black Paper Gasket	

Newark.com/multicomp-pro
Farnell.com/multicomp-pro
sg.element14.com/b/multicomp-pro

multicomp PRO

Frequency Response Curve



Part Number Table

Description	Part Number
Miniature Speaker, 8Ω, 1W, 150mm Leads and Connector	ABS-222-150-RC

Important Notice : This data sheet and its contents (the "Information") belong to the members of the AVNET group of companies (the "Group") or are licensed to it. No licence is granted for the use of it other than for information purposes in connection with the products to which it relates. No licence of any intellectual property rights is granted. The Information is subject to change without notice and replaces all data sheets previously supplied. The Information supplied is believed to be accurate but the Group assumes no responsibility for its accuracy or completeness, any error in or omission from it or for any use made of it. Users of this data sheet should check for themselves the Information and the suitability of the products for their purpose and not make any assumptions based on information included or omitted. Liability for loss or damage resulting from any reliance on the Information or use of it (including liability resulting from negligence or where the Group was aware of the possibility of such loss or damage arising) is excluded. This will not operate to limit or restrict the Group's liability for death or personal injury resulting from its negligence. Multicomp Pro is the registered trademark of Premier Farnell Limited 2019.