

# TRIO3-PS/3AC/24DC/20 - Power supply unit



1159044

<https://www.phoenixcontact.com/de/produkte/1159044>

Please be informed that the data shown in this PDF document is generated from our Online Catalog. Please find the complete data in the user documentation. Our General Terms of Use for Downloads are valid.



Primary-switched power supply unit, TRIO POWER, Push-in connection, DIN rail mounting, input: 3-phase, output: 24 V DC / 20 A, Adjustable from 24 V DC ... 28 V DC

## Commercial Data

Item number	1159044
Packing unit	1 pc
Minimum order quantity	1 pc
Sales Key	H1 - Stromversorgungen
Product Key	CMPD33
GTIN	4063151165734
Weight per Piece (including packing)	994,6 g
Weight per Piece (excluding packing)	930 g
Customs tariff number	85044083
Country of origin	CN

## Technical Data

### Input data

#### AC operation

Supply system configuration	Star network (TN, TT, IT (PE))
Nominal input voltage range	3x 400 V AC ... 500 V AC
Input voltage range	3x 400 V AC ... 500 V AC -20 % ... +10 % 2x 400 V AC ... 500 V AC $\pm$ 10 %
Typical national grid voltage	3x 400 V AC 3x 480 V AC
Voltage type of supply voltage	AC
Inrush current	< 13 A (25 °C)
Inrush current integral ( $I^2t$ )	< 0.33 A <sup>2</sup> s
Frequency range ( $f_N$ )	50 Hz ... 60 Hz $\pm$ 10 %
Mains buffering time	typ. 28 ms (3x 400 V AC) typ. 28 ms (3x 480 V AC)
Current consumption	3x 0.77 A (3x 400 V AC) 3x 0.63 A (3x 500 V AC) 2x 1.37 A (2x 400 V AC) 2x 1.13 A (2x 500 V AC)
Protective circuit	Transient protection; Varistor
Power factor (cos phi)	0.93 (3x 480 V AC)
Device mains fuse	3.15 A internal (device protection)
Recommended breaker for input protection	3x 6 A ... 16 A (Characteristic B, C, D, K or comparable)
Discharge current to PE	< 3.5 mA

### Output data

Efficiency	typ. 94.53 % (3x 400 V AC) typ. 94.58 % (3x 480 V AC)
Nominal output voltage	24 V DC
Setting range of the output voltage ( $U_{Set}$ )	24 V DC ... 28 V DC (> 24 V DC, constant capacity restricted)
Nominal output current ( $I_N$ )	20 A
Dynamic Boost ( $I_{Dyn.Boost}$ )	max. 30 A (5 s)
Short-circuit-proof	yes
Derating	60 °C ... 70 °C
Crest factor	typ. 1.51 (3x 400 V AC) typ. 1.69 (3x 480 V AC)
Output power ( $P_N$ )	480 W
Output power ( $P_{Dyn. Boost}$ )	max. 720 W (5 s)
Connection in parallel	yes, for increasing power and redundancy with diode
Connection in series	yes, for increased output voltage (observe SELV limit)
Feedback voltage resistance	$\leq$ 35 V DC
Protection against overvoltage at the output (OVP)	$\leq$ 35 V DC

# TRIO3-PS/3AC/24DC/20 - Power supply unit



1159044

<https://www.phoenixcontact.com/de/produkte/1159044>

Residual ripple	typ. 15 mV <sub>PP</sub> (with nominal values)
Control deviation	< 1 % (change in load, static 10 % ... 90 %)
	< 3 % (change in load, dynamic 10 % ... 90 %)
	< 0.1 % (change in input voltage ±10 %)
Rise time	≤ 1 s (U <sub>Out</sub> = 10 % ... 90 %)
Minimum no-load power dissipation	< 3 W (3x 400 V AC)
Maximum no-load power dissipation	< 3.1 W (3x 480 V AC)
Minimum nominal load power dissipation	< 26.08 W (3x 400 V AC)
Power loss nominal load max.	< 27.35 W (3x 480 V AC)
Integrated fuse protection	no

## Signal relay 13/14

Position	3.x
Position marking	3.1 (13), 3.2 (14)
Switch contact (floating)	OptoMOS
Switching voltage	max. 30 V DC (SELV)
Current carrying capacity	max. 100 mA
State condition	U <sub>Out</sub> > 21 V DC and I <sub>Out</sub> < 0.9 x I <sub>N</sub> (Contact closed)
	U <sub>Out</sub> < 21 V DC or I <sub>Out</sub> > 0.9 x I <sub>N</sub> (averaging over 60 s) (Contact open)

## Connection data

### Input

Position	1.x
----------	-----

### Conductor connection

Connection method	Push-in connection
rigid	0.2 mm <sup>2</sup> ... 4 mm <sup>2</sup>
	1.5 mm <sup>2</sup> (recommended)
flexible	0.2 mm <sup>2</sup> ... 2.5 mm <sup>2</sup>
	1.5 mm <sup>2</sup> (recommended)
flexible with ferrule without plastic sleeve	0.25 mm <sup>2</sup> ... 2.5 mm <sup>2</sup>
	1.5 mm <sup>2</sup> (recommended)
flexible with ferrule with plastic sleeve	0.25 mm <sup>2</sup> ... 1.5 mm <sup>2</sup>
	1.5 mm <sup>2</sup> (recommended)
rigid (AWG)	24 ... 12 (Cu)
	16 (recommended)
Stripping length	10 mm (rigid/flexible)
	8 mm (Ferrule)

### Output

Position	2.x
----------	-----

### Conductor connection

Connection method	Push-in connection
rigid	0.2 mm <sup>2</sup> ... 10 mm <sup>2</sup>

# TRIO3-PS/3AC/24DC/20 - Power supply unit



1159044

<https://www.phoenixcontact.com/de/produkte/1159044>

	4 mm <sup>2</sup> (recommended)
flexible	0.2 mm <sup>2</sup> ... 6 mm <sup>2</sup>
	6 mm <sup>2</sup> (recommended)
flexible with ferrule without plastic sleeve	0.25 mm <sup>2</sup> ... 6 mm <sup>2</sup>
	6 mm <sup>2</sup> (recommended)
flexible with ferrule with plastic sleeve	0.25 mm <sup>2</sup> ... 6 mm <sup>2</sup>
	6 mm <sup>2</sup> (recommended)
rigid (AWG)	24 ... 8 (Cu)
	12 (recommended)
Stripping length	12 mm (rigid/flexible)
	12 mm (Ferrule)

## Signal

Position	3.x
----------	-----

## Conductor connection

Connection method	Push-in connection
rigid	0.2 mm <sup>2</sup> ... 1.5 mm <sup>2</sup>
	0.5 mm <sup>2</sup> (recommended)
flexible	0.2 mm <sup>2</sup> ... 1.5 mm <sup>2</sup>
	0.5 mm <sup>2</sup> (recommended)
flexible with ferrule without plastic sleeve	0.25 mm <sup>2</sup> ... 1.5 mm <sup>2</sup> (Cu)
	0.5 mm <sup>2</sup> (recommended)
flexible with ferrule with plastic sleeve	0.25 mm <sup>2</sup> ... 0.75 mm <sup>2</sup>
	0.5 mm <sup>2</sup> (recommended)
rigid (AWG)	24 ... 16 (Cu)
	20 (recommended)
Stripping length	10 mm (rigid/flexible)
	8 mm (Ferrule)

## Signaling

### LED signaling

Types of signaling	LED DC OK – signal state operation ( $U_N = 24 \text{ V DC}$ , $I_{Out} = I_N$ )
Function	Visual operating state display
Color	red, yellow, green (multicolor LED)
LED off	Supply voltage input AC not present (Off)
LED on (green), DC OK	$U_{Out} > 21 \text{ V DC}$ and $I_{Out} < 0.9 \times I_N$ (On (green), DC OK)
LED on (yellow), $I_{Out} > 90\%$	$U_{Out} > 21 \text{ V DC}$ and $I_{Out} > 0.9 \times I_N$ (On (yellow), $I_{Out} > 90\%$ )
LED on (red), ISHORT	$U_{Out} < 21 \text{ V DC}$ and $I_{Out} > 0.9 \times I_N$ (On (red), $I_{SHORT}$ )
LED on (flashing red) OVP	$U_{OUT} > OVP$ (Over voltage protection) (On (flashing red))

## Electrical properties

Number of phases	3.00
Insulation voltage input/output	4 kV AC (type test)
	4 kV AC (routine test)

# TRIO3-PS/3AC/24DC/20 - Power supply unit



1159044

<https://www.phoenixcontact.com/de/produkte/1159044>

## Product properties

Product type	Power supply
Product family	TRIO POWER
MTBF (IEC 61709, SN 29500)	> 1100000 h (25 °C)
	> 600000 h (40 °C)
	> 230000 h (60 °C)
Environmental protection directive	RoHS Directive 2011/65/EU
	WEEE
	Reach

## Insulation characteristics

Protection class	I
Degree of pollution	2

## Dimensions

### Item dimensions

Width	60 mm
Height	135 mm
Depth	132 mm
	125 mm (Device depth (DIN rail mounting))

### Installation dimensions

Installation distance right/left	0 mm / 0 mm
Installation distance top/bottom	50 mm / 50 mm

## Mounting

Mounting type	DIN rail mounting
Assembly instructions	alignable: 0 mm horizontally, 30 mm vertically
Mounting position	horizontal DIN rail NS 35, EN 60715
With protective coating	No

## Material specifications

Flammability rating according to UL 94	V0 (Housing, terminal blocks)
Hood version	Polycarbonate
Side element version	Aluminum

## Environmental and real-life conditions

### Ambient conditions

Degree of protection	IP20
Ambient temperature (operation)	-25 °C ... 70 °C (> 60 °C Derating: 2,5 %/K)
Ambient temperature (storage/transport)	-40 °C ... 85 °C
Ambient temperature (start-up type tested)	-40 °C
Maximum altitude	≤ 5000 m (> 2000 m, Derating: 10 %/1000 m)
Max. permissible relative humidity (operation)	≤ 95 % (at 25 °C, non-condensing)

# TRIO3-PS/3AC/24DC/20 - Power supply unit



1159044

<https://www.phoenixcontact.com/de/produkte/1159044>

Shock (operation)	18 ms, 30g, per spatial direction (IEC 60068-2-27)
Vibration (operation)	10 Hz ... 50 Hz, amplitude $\pm 0.2$ mm (IEC 60068-2-6)
	50 Hz to 150 Hz, 2.3 g, 90 min.

## Standards and regulations

### Overvoltage category

EN 61010-1	III ( $\leq 2000$ m)
	II ( $\leq 5000$ m)

### Overvoltage category

EN 61010-2-201	III ( $\leq 2000$ m)
	II ( $\leq 5000$ m)

### Safety of power supply units up to 1100 V (insulation distances)

Standard designation	Safety of power supply units up to 1100 V (insulation distances)
Standards/specifications	DIN EN 61558-2-16

### Electrical safety

Standard designation	Electrical safety
Standards/specifications	IEC 61010-2-201 (SELV)

### Electronic equipment for use in power installations

Standard designation	Equipping high voltage installations with electronic equipment
Standards/specifications	EN 50178/VDE 0160 (PELV)

### Safety for measurement, control, and laboratory equipment

Standard designation	Safety for equipment for measurement, control, and laboratory use
Standards/specifications	IEC 61010-1

### Protective extra-low voltage

Standard designation	Protective extra-low voltage
Standards/specifications	IEC 61010-1 (SELV)
	IEC 61010-2-201 (PELV)

### Safe isolation

Standard designation	Safe isolation
Standards/specifications	IEC 61558-2-16
	IEC 61010-2-201

### Limitation of harmonic line currents

Standard designation	Limitation of harmonic line currents
Standards/specifications	EN 61000-3-2

### Mains variation/undervoltage

Standard designation	Mains variation/undervoltage
Standards/specifications	SEMI F47
	EN 61000-4-11

## Approvals

### UL

Identification	UL/C-UL Listed UL 61010-1
----------------	---------------------------

### UL

Identification	UL/C-UL Listed UL 61010-2-201
----------------	-------------------------------

### ANSI/UL 121201

Identification	PROCESS CONTROL EQUIPEMENT FOR HAZARDOUS LOCATIONS
	(EN) • This equipment is suitable for use in Class I, Division 2, Groups A, B, C and D, Hazardous Locations, or non-hazardous locations only. (FR) • Cet appareil convient uniquement pour une utilisation en atmosphères explosibles de classe I, division 2, groupes A, B, C et D ou en atmosphères non explosibles.
	(EN) • WARNING: Explosion Hazard - Do not connect or disconnect equipment unless power has been switched off or the area is known to be non-hazardous. (FR) • AVERTISSEMENT : risque d'explosion - ne pas connecter ou déconnecter les équipements sauf si l'alimentation a été coupée ou si la zone est réputée non dangereuse.
	(EN) • If the equipment is used in a manner not specified by the manufacturer, the protection provided by the equipment may be impaired. (FR) • Si l'équipement est utilisé d'une manière non spécifiée par le fabricant, la protection fournie par cet équipement peut être altérée.
	(EN) • This equipment must be installed in a suitable, tool secured/key locked enclosure. (FR) • Cet équipement doit être installé dans un boîtier approprié, verrouillé par une clé ou dont l'ouverture nécessite l'utilisation d'un outil.

## EMC data

Low Voltage Directive	Conformance with Low Voltage Directive 2014/35/EC
Conducted noise emission	EN 55016
	EN 61000-6-3 (Class B)
Noise emission	EN 55016
	EN 61000-6-3 (Class B)

### Harmonic currents

Standards/regulations	EN 61000-3-2
	EN 61000-3-2 (Class A)
Frequency range	0 kHz ... 2 kHz

### Flicker

Standards/regulations	EN 61000-3-3
	EN 61000-3-3
Frequency range	0 kHz ... 2 kHz

# TRIO3-PS/3AC/24DC/20 - Power supply unit



1159044

<https://www.phoenixcontact.com/de/produkte/1159044>

## Electrostatic discharge

Standards/regulations	EN 61000-4-2
-----------------------	--------------

## Electrostatic discharge

Contact discharge	6 kV (Test Level 3)
Discharge in air	8 kV (Test Level 3)
Comments	Criterion B

## Electromagnetic HF field

Standards/regulations	EN 61000-4-3
-----------------------	--------------

## Electromagnetic HF field

Frequency range	80 MHz ... 1 GHz
Test field strength	10 V/m (Test Level 3)
Frequency range	1 GHz ... 6 GHz
Test field strength	10 V/m (Test Level 3)
Comments	Criterion A

## Fast transients (burst)

Standards/regulations	EN 61000-4-4
-----------------------	--------------

## Fast transients (burst)

Input	asymmetrical 2 kV (Test Level 3)
Output	asymmetrical 2 kV (Test Level 3)
Signal	asymmetrical 1 kV (Test Level 3)
Comments	Criterion A

## Surge voltage load (surge)

Standards/regulations	EN 61000-4-5
Input	symmetrical 2 kV (Test Level 4)
	asymmetrical 4 kV (Test Level 4)
Output	symmetrical 1 kV (Test Level 3)
	asymmetrical 2 kV (Test Level 3)
Signal	asymmetrical 1 kV (Test Level 2)
Comments	Criterion A

## Conducted interference

Standards/regulations	EN 61000-4-6
-----------------------	--------------

## Conducted interference

I/O/S	asymmetrical
Frequency range	0.15 MHz ... 80 MHz
Comments	Criterion A
Voltage	10 V (Test Level 3)

## Voltage dips

Standards/regulations	EN 61000-4-11
-----------------------	---------------



# TRIO3-PS/3AC/24DC/20 - Power supply unit



1159044

<https://www.phoenixcontact.com/de/produkte/1159044>

Voltage	230 V AC
Frequency	50 Hz
Voltage dip	70 %
Number of periods	25 periods
Additional text	Class 3
Comments	Criterion A
Voltage dip	40 %
Number of periods	10 periods
Additional text	Class 3
Comments	Criterion B
Voltage dip	0 %
Number of periods	1 period
Additional text	Class 3
Comments	Criterion A

## Criteria

Criterion A	Normal operating behavior within the specified limits.
Criterion B	Temporary impairment to operational behavior that is corrected by the device itself.
Criterion C	Temporary adverse effects on the operating behavior, which the device corrects automatically or which can be restored by actuating the operating elements.

# TRIO3-PS/3AC/24DC/20 - Power supply unit

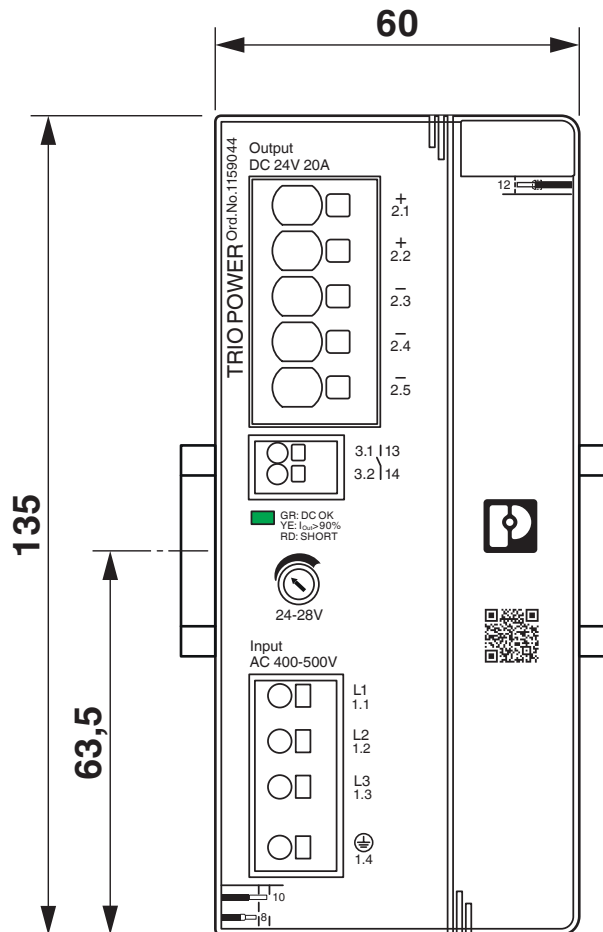


1159044

<https://www.phoenixcontact.com/de/produkte/1159044>

## Drawings

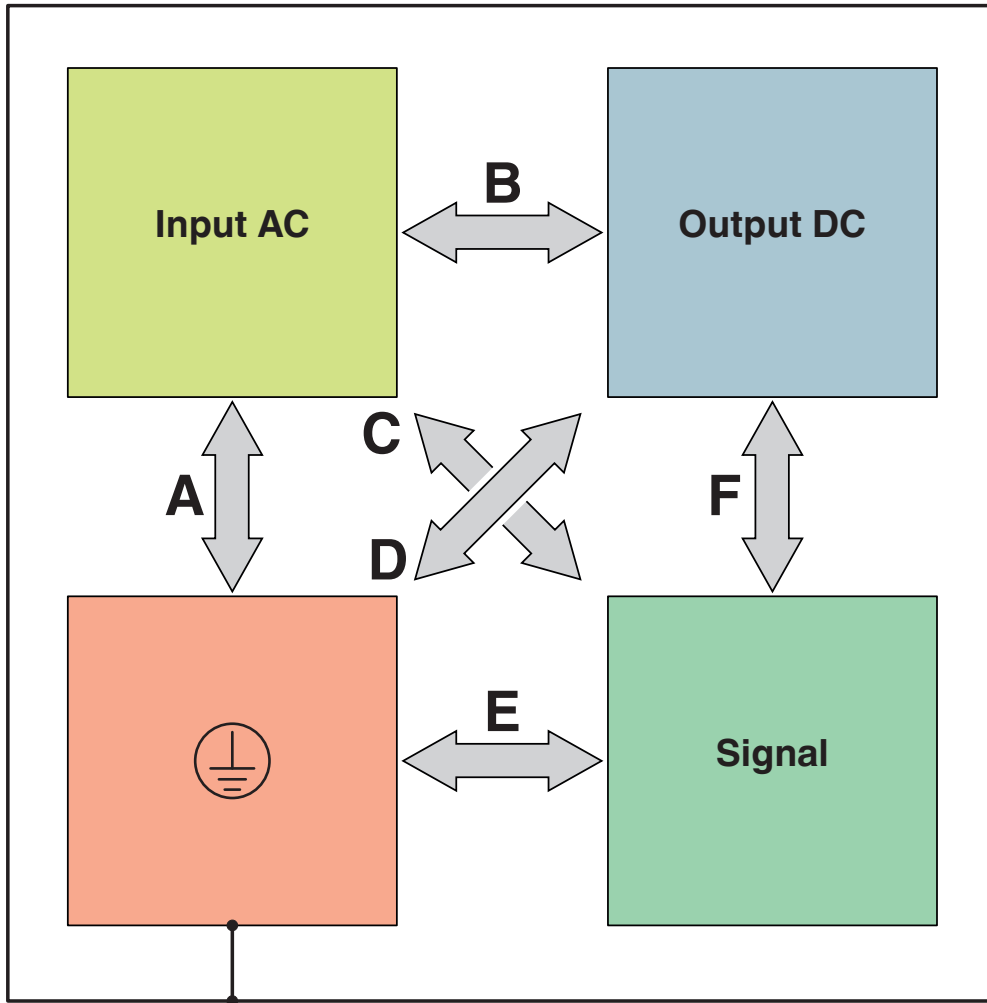
Dimensional drawing



Device dimensions (dimensions in mm)

Schematic diagram

# Housing



Test sections, insulation voltage

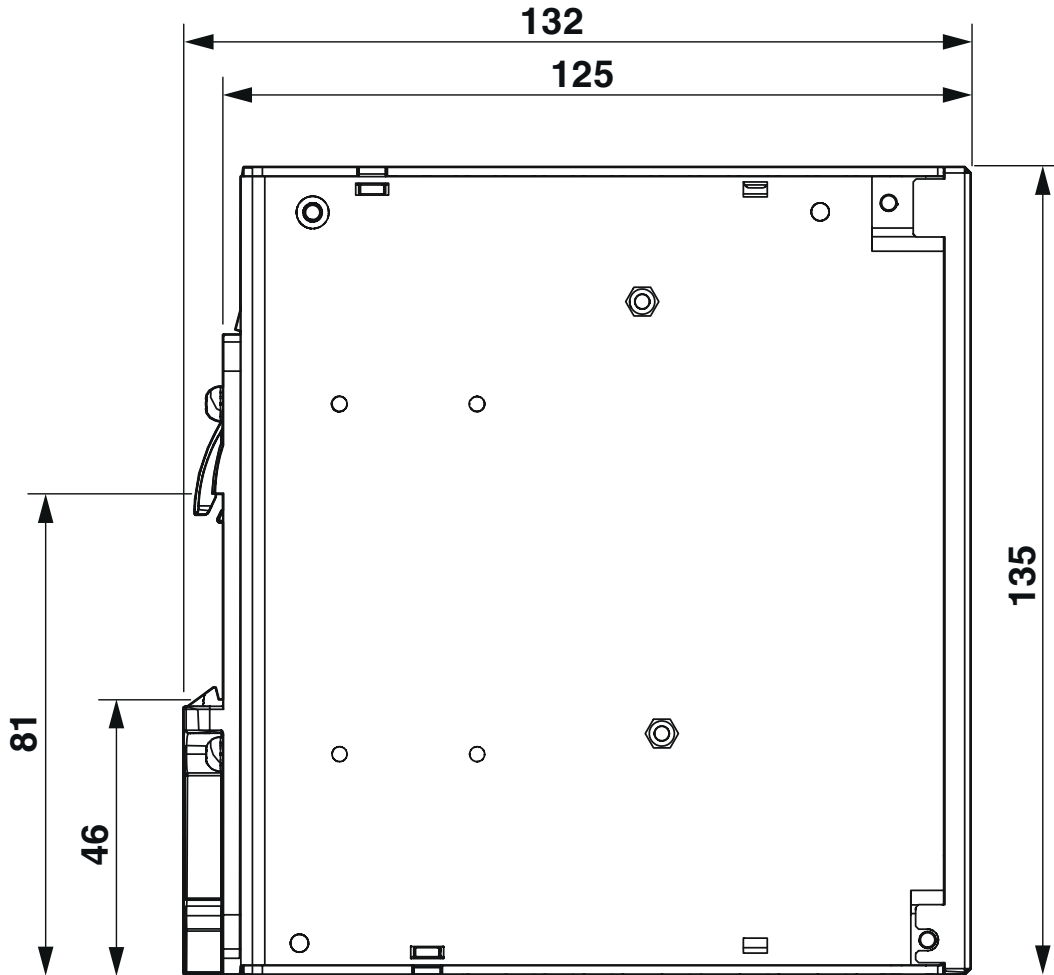
# TRIO3-PS/3AC/24DC/20 - Power supply unit



1159044

<https://www.phoenixcontact.com/de/produkte/1159044>

Dimensional drawing



Device dimensions (dimensions in mm)

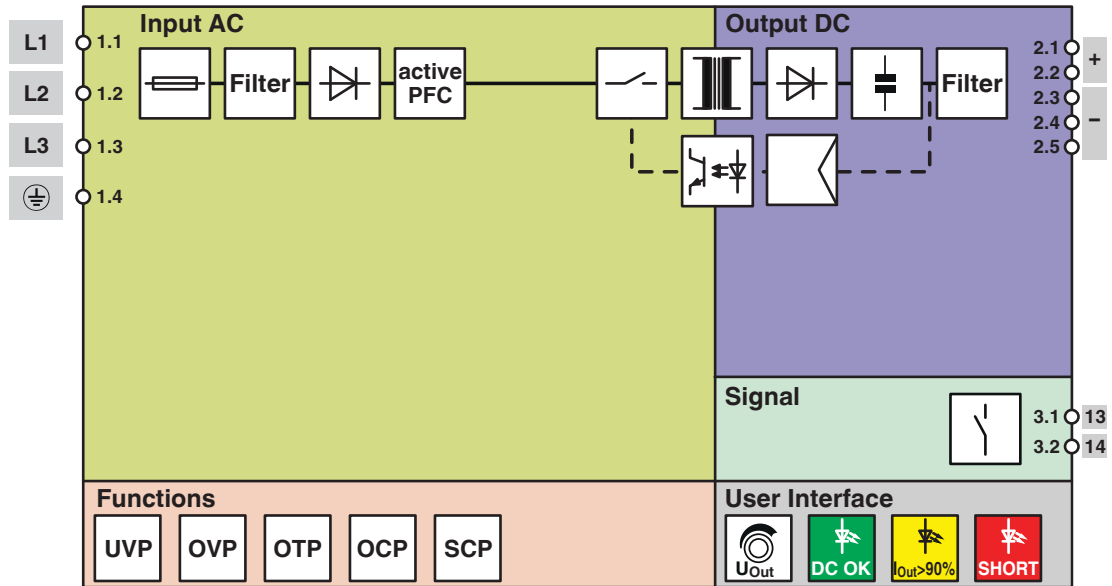
# TRIO3-PS/3AC/24DC/20 - Power supply unit



1159044

<https://www.phoenixcontact.com/de/produkte/1159044>

Block diagram



Block diagram

# TRIO3-PS/3AC/24DC/20 - Power supply unit



1159044

<https://www.phoenixcontact.com/de/produkte/1159044>

## Approvals

🔗 To download certificates, visit the product detail page: <https://www.phoenixcontact.com/de/produkte/1159044>



**cULus Listed**

Approval ID: E123528-20220304



**IECEE CB Scheme**

Approval ID: DK-142599-A1-UL



**cULus Listed**

Approval ID: E199827-20220314

# TRIO3-PS/3AC/24DC/20 - Power supply unit



1159044

<https://www.phoenixcontact.com/de/produkte/1159044>

## Classifications

### ECLASS

ECLASS-11.0	27040701
ECLASS-12.0	27040701
ECLASS-13.0	27040701

# TRIO3-PS/3AC/24DC/20 - Power supply unit



1159044

<https://www.phoenixcontact.com/de/produkte/1159044>

## Environmental Product Compliance

REACH SVHC

Lead 7439-92-1



# TRIO3-PS/3AC/24DC/20 - Power supply unit



1159044

<https://www.phoenixcontact.com/de/produkte/1159044>

## Accessories

### POTI SEALING PLUG - Closing cap

1175957

<https://www.phoenixcontact.com/de/produkte/1175957>



Sealing plug for protection against manipulation (adjustment of the DC output voltage) by sealing off the potentiometer opening

---

### WT-HF 3,6X140 - Cable tie

3240744

<https://www.phoenixcontact.com/de/produkte/3240744>



Cable binders for quick and secure bundling, standard version

# TRIO3-PS/3AC/24DC/20 - Power supply unit



1159044

<https://www.phoenixcontact.com/de/produkte/1159044>

## UWA 182/52 - Mounting adapter

2938235

<https://www.phoenixcontact.com/de/produkte/2938235>



Universal wall adapter for securely mounting the device in the event of strong vibrations. The device is screwed directly onto the mounting surface. The universal wall adapter is attached on the top/bottom.

---

## EML (20X8)R - Label

0816786

<https://www.phoenixcontact.com/de/produkte/0816786>



Label, Roll, white, unlabeled, can be labeled with: THERMOMARK E.300 (D)/600 (D), THERMOMARK ROLL 2.0, THERMOMARK ROLL, THERMOMARK ROLL X1, THERMOMARK ROLLMASTER 300/600, THERMOMARK X1.2, mounting type: adhesive, lettering field size: 20 x 8 mm, Number of individual labels: 2500

# TRIO3-PS/3AC/24DC/20 - Power supply unit



1159044

<https://www.phoenixcontact.com/de/produkte/1159044>

## EML (20X8)R YE - Label

0816799

<https://www.phoenixcontact.com/de/produkte/0816799>



Label, Roll, yellow, unlabeled, can be labeled with: THERMOMARK E.300 (D)/600 (D), THERMOMARK ROLL 2.0, THERMOMARK ROLL, THERMOMARK ROLL X1, THERMOMARK ROLLMaster 300/600, THERMOMARK X1.2, mounting type: adhesive, lettering field size: 20 x 8 mm, Number of individual labels: 2500

---

Phoenix Contact 2023 © - all rights reserved

<https://www.phoenixcontact.com>

PHOENIX CONTACT Deutschland GmbH

Flachsmarktstraße 8

D-32825 Blomberg

+49 52 35/3-1 20 00

[info@phoenixcontact.de](mailto:info@phoenixcontact.de)