

TRIO3-PS/1AC/24DC/20/8C/IOL - Power supply unit



1252697

<https://www.phoenixcontact.com/de/produkte/1252697>

Please be informed that the data shown in this PDF document is generated from our Online Catalog. Please find the complete data in the user documentation. Our General Terms of Use for Downloads are valid.



Primary-switched power supply unit, TRIO POWER, Push-in connection, 8-channel electronic circuit breaker, IO-Link, DIN rail mounting, input: 1-phase, output: 24 V DC / 20 A, Adjustable from 24 V DC ... 28 V DC

Commercial Data

Item number	1252697
Packing unit	1 pc
Minimum order quantity	1 pc
Sales Key	H1 - Stromversorgungen
Product Key	CMPD16
GTIN	4063151360078
Weight per Piece (including packing)	1.389,3 g
Weight per Piece (excluding packing)	1.160 g
Customs tariff number	85044083
Country of origin	CN

Technical Data

Input data

AC operation

Supply system configuration	Star network (TN, TT, IT (PE))
Nominal input voltage range	100 V AC ... 240 V AC
Input voltage range	100 V AC ... 240 V AC -15 % ... +10 % 115 V AC ... 240 V AC \pm 10 % (UL)
Derating	< 100 V AC (1 %/V) 2.5 %/K, > 60 °C
Typical national grid voltage	120 V AC 230 V AC
Voltage type of supply voltage	AC
Inrush current	< 21 A (25 °C)
Inrush current integral (I^2t)	< 1.091 A ² s
Frequency range (f_N)	50 Hz ... 60 Hz \pm 10 %
Mains buffering time	typ. 23 ms (120 V AC) typ. 24 ms (230 V AC)
Current consumption	5.3 A (100 V AC) 4.4 A (120 V AC) 2.3 A (230 V AC) 2.15 A (240 V AC)
Protective circuit	Transient protection; Varistor
Power factor (cos phi)	0.96 (230 V AC)
Device mains fuse	10 A internal (device protection)
Recommended breaker for input protection	6 A ... 16 A (Characteristic B, C, D, K or comparable)
Discharge current to PE	< 3.5 mA

DC operation

Input voltage range	100 V DC ... 240 V DC \pm 10 % 160 V DC ... 240 V DC \pm 10 % (UL)
Derating	< 140 V DC (1 %/V)
Voltage type of supply voltage	DC
Current consumption	5.2 A (100 V DC) 2.1 A (240 V DC)

Output data

Efficiency	typ. 93.49 % (120 V AC) typ. 94.42 % (230 V AC)
Nominal output voltage	24 V DC
Setting range of the output voltage (U_{Set})	24 V DC ... 28 V DC (> 24 V DC, constant capacity restricted)
Nominal output current (I_N)	20 A
Dynamic Boost ($I_{Dyn.Boost}$)	max. 30 A (5 s)

TRIO3-PS/1AC/24DC/20/8C/IOL - Power supply unit



1252697

<https://www.phoenixcontact.com/de/produkte/1252697>

No. of channels	8
Nominal current per channel	1 A
	2 A
	3.8 A
	4 A
	6 A
	8 A
	10 A
Waiting time after switch off of a channel	5 s
Switch-on delay of the channels	100 ms
Short-circuit-proof	yes
Derating	60 °C ... 70 °C
Crest factor	typ. 1.77 (120 V AC)
	typ. 1.6 (230 V AC)
Output power (P_N)	480 W
Output power ($P_{Dyn. Boost}$)	max. 720 W (5 s)
Connection in parallel	no
Connection in series	No
Max. capacitive load	30 mF
Feedback voltage resistance	≤ 35 V DC
Protection against overvoltage at the output (OVP)	≤ 35 V DC
Residual ripple	typ. 50 mV _{PP} (with nominal values)
Control deviation	< 1 % (change in load, static 10 % ... 90 %)
	< 3 % (change in load, dynamic 10 % ... 90 %)
	< 0.1 % (change in input voltage ±10 %)
Rise time	≤ 1 s ($U_{Out} = 10 \% \dots 90 \%$)
Minimum no-load power dissipation	< 1.3 W (120 V AC)
Maximum no-load power dissipation	< 1.37 W (230 V AC)
Minimum nominal load power dissipation	< 33.37 W (120 V AC)
Power loss nominal load max.	< 26.72 W (230 V AC)
Integrated fuse protection	yes

Signal relay 13/14

Position	3.x
Position marking	3.1 (13), 3.2 (14)
Switch contact (floating)	OptoMOS
Switching voltage	max. 30 V DC (SELV)
Current carrying capacity	max. 100 mA
State condition	$U_{Out} > 21 \text{ V DC}$ and $I_{Out} < 0.9 \times I_N$ (Contact closed)
	$U_{Out} < 21 \text{ V DC}$ or $I_{Out} > 0.9 \times I_N$ (averaging over 60 s) (Contact open)
	Channel triggered or defective or OVP active

Connection data

TRIO3-PS/1AC/24DC/20/8C/IOL - Power supply unit



1252697

<https://www.phoenixcontact.com/de/produkte/1252697>

Input

Position	1.x
----------	-----

Conductor connection

Connection method	Push-in connection
rigid	0.2 mm ² ... 4 mm ²
	1.5 mm ² (recommended)
flexible	0.2 mm ² ... 2.5 mm ²
	1.5 mm ² (recommended)
flexible with ferrule without plastic sleeve	0.25 mm ² ... 2.5 mm ²
	1.5 mm ² (recommended)
flexible with ferrule with plastic sleeve	0.25 mm ² ... 1.5 mm ²
	1.5 mm ² (recommended)
rigid (AWG)	24 ... 12 (Cu)
	16 (recommended)
Stripping length	10 mm (rigid/flexible)
	8 mm (Ferrule)

Output

Position	2.x
----------	-----

Conductor connection

Connection method	Push-in connection
rigid	0.2 mm ² ... 4 mm ²
	1.5 mm ² (recommended)
flexible	0.2 mm ² ... 2.5 mm ²
	1.5 mm ² (recommended)
flexible with ferrule without plastic sleeve	0.25 mm ² ... 2.5 mm ²
	1.5 mm ² (recommended)
flexible with ferrule with plastic sleeve	0.25 mm ² ... 1.5 mm ²
	1.5 mm ² (recommended)
rigid (AWG)	24 ... 12 (Cu)
	16 (recommended)
Stripping length	10 mm (rigid/flexible)
	8 mm (Ferrule)

Output

Position	2.x
----------	-----

Conductor connection

Connection method	Push-in connection
rigid	0.2 mm ² ... 10 mm ²
	4 mm ² (recommended)
flexible	0.2 mm ² ... 6 mm ²
	4 mm ² (recommended)
flexible with ferrule without plastic sleeve	0.25 mm ² ... 6 mm ²

TRIO3-PS/1AC/24DC/20/8C/IOL - Power supply unit



1252697

<https://www.phoenixcontact.com/de/produkte/1252697>

	4 mm ² (recommended)
flexible with ferrule with plastic sleeve	0.25 mm ² ... 6 mm ²
	4 mm ² (recommended)
rigid (AWG)	24 ... 8 (Cu)
	12 (recommended)
Stripping length	10 mm (rigid/flexible)
	8 mm (Ferrule)

Signal

Position	3.x
----------	-----

Conductor connection

Connection method	Push-in connection
rigid	0.2 mm ² ... 1.5 mm ²
	0.5 mm ² (recommended)
flexible	0.2 mm ² ... 1.5 mm ²
	0.5 mm ² (recommended)
flexible with ferrule without plastic sleeve	0.25 mm ² ... 1.5 mm ² (Cu)
	0.5 mm ² (recommended)
flexible with ferrule with plastic sleeve	0.25 mm ² ... 0.75 mm ²
	0.5 mm ² (recommended)
rigid (AWG)	24 ... 16 (Cu)
	20 (recommended)
Stripping length	10 mm (rigid/flexible)
	8 mm (Ferrule)

Communication

Position	5.x
----------	-----

Conductor connection

Connection method	Push-in connection
rigid	0.2 mm ² ... 1.5 mm ²
	0.5 mm ² (recommended)
flexible	0.2 mm ² ... 1.5 mm ²
	0.5 mm ² (recommended)
flexible with ferrule without plastic sleeve	0.25 mm ² ... 1.5 mm ² (Cu)
	0.5 mm ² (recommended)
flexible with ferrule with plastic sleeve	0.25 mm ² ... 0.75 mm ²
	0.5 mm ² (recommended)
rigid (AWG)	24 ... 16 (Cu)
	20 (recommended)
Stripping length	10 mm (rigid/flexible)
	8 mm (Ferrule)

Interfaces

IO-Link

Specification	V1.1
Interface	IO-Link
Number of interfaces	1
Connection method	Push-in connection
Position	5.x
Position marking	5.1 (L+), 5.2 (C/Q), 5.3 (L-)
Transmission physics	3-wire, standard industrial cable
Reverse polarity protection	yes
Transmission speed	38.4 kbps (COM2)
Cycle time	40 ms
Amount of process data	6 Byte (Input data)
Device ID	040115 _{hex} /262421 _{dez}
Vendor ID	00B0 _{hex} / 176 _{dez}

Signaling

LED signaling

Types of signaling	LED DC OK – signal state operation ($U_N = 24 \text{ V DC}$, $I_{Out} = I_N$)
Function	Visual operating state display
Color	red, yellow, green (multicolor LED)
LED off	Supply voltage input AC not present (Off)
LED on (green), DC OK	$U_{Out} > 21 \text{ V DC}$ and $I_{Out} < 0.9 \times I_N$ (On (green), DC OK)
LED on (yellow), $I_{Out} > 90\%$	$U_{Out} > 21 \text{ V DC}$ and $I_{Out} > 0.9 \times I_N$ (On (yellow), $I_{Out} > 90\%$)
LED on (flashing red) OVP	$U_{OUT} > \text{OVP}$ (Over voltage protection) (On (flashing red))

Electrical properties

Number of phases	1.00
Insulation voltage input/output	3 kV AC (type test)
	3 kV AC (routine test)

Product properties

Product type	Power supply
Product family	TRIO POWER
MTBF (IEC 61709, SN 29500)	> 790000 h (25 °C)
	> 500000 h (40 °C)
	> 240000 h (60 °C)
Environmental protection directive	RoHS Directive 2011/65/EU
	WEEE
	Reach

Insulation characteristics

Protection class	I
Degree of pollution	2

Dimensions

Item dimensions

Width	88 mm
Height	135 mm
Depth	132 mm
	125 mm (Device depth (DIN rail mounting))

Installation dimensions

Installation distance right/left (active)	15 mm / 15 mm
Installation distance right/left (passive)	0 mm / 0 mm ($\leq 40\text{ }^{\circ}\text{C}$)

Mounting

Mounting type	DIN rail mounting
Assembly instructions	alignable: 0 mm horizontally, 30 mm vertically
Mounting position	horizontal DIN rail NS 35, EN 60715
With protective coating	No

Material specifications

Flammability rating according to UL 94	V0 (Housing, terminal blocks)
Hood version	Polycarbonate
Side element version	Aluminum

Environmental and real-life conditions

Ambient conditions

Degree of protection	IP20
Ambient temperature (operation)	-25 °C ... 70 °C (> 60 °C Derating: 2,5 %/K)
Ambient temperature (storage/transport)	-40 °C ... 85 °C
Ambient temperature (start-up type tested)	-40 °C
Maximum altitude	$\leq 5000\text{ m}$ (> 2000 m, Derating: 10 %/1000 m)
Max. permissible relative humidity (operation)	$\leq 95\%$ (at 25 °C, non-condensing)
Shock (operation)	18 ms, 30g, per spatial direction (IEC 60068-2-27)
Vibration (operation)	10 Hz ... 50 Hz, amplitude $\pm 0.2\text{ mm}$ (IEC 60068-2-6) 50 Hz to 150 Hz, 2.3 g, 90 min.

Standards and regulations

Overvoltage category

EN 61010-1	III ($\leq 2000\text{ m}$) II ($\leq 5000\text{ m}$)
------------	---

Overvoltage category

EN 61010-2-201	III ($\leq 2000\text{ m}$) II ($\leq 5000\text{ m}$)
----------------	---

Safety of power supply units up to 1100 V (insulation distances)

TRIO3-PS/1AC/24DC/20/8C/IOL - Power supply unit



1252697

<https://www.phoenixcontact.com/de/produkte/1252697>

Standard designation	Safety of power supply units up to 1100 V (insulation distances)
Standards/specifications	DIN EN 61558-2-16
Electrical safety	
Standard designation	Electrical safety
Standards/specifications	IEC 61010-2-201 (SELV)
Electronic equipment for use in power installations	
Standard designation	Equipping high voltage installations with electronic equipment
Standards/specifications	EN 50178/VDE 0160 (PELV)
Safety for measurement, control, and laboratory equipment	
Standard designation	Safety for equipment for measurement, control, and laboratory use
Standards/specifications	IEC 61010-1
Protective extra-low voltage	
Standard designation	Protective extra-low voltage
Standards/specifications	IEC 61010-1 (SELV) IEC 61010-2-201 (PELV)
Safe isolation	
Standard designation	Safe isolation
Standards/specifications	IEC 61558-2-16 IEC 61010-2-201
Limitation of harmonic line currents	
Standard designation	Limitation of harmonic line currents
Standards/specifications	EN 61000-3-2
Mains variation/undervoltage	
Standard designation	Mains variation/undervoltage
Standards/specifications	SEMI F47 EN 61000-4-11

Approvals

UL

Identification	UL/C-UL Listed UL 61010-1
----------------	---------------------------

UL

Identification	UL/C-UL Listed UL 61010-2-201
----------------	-------------------------------

UL

Identification	UL 2367 (Standard for Safety for Solid State Overcurrent Protectors)
----------------	--

ANSI/UL

Identification	PROCESS CONTROL EQUIPEMENT FOR HAZARDOUS LOCATIONS
----------------	--

	<p>(EN) • This equipment is suitable for use in Class I, Division 2, Groups A, B, C and D, Hazardous Locations, or non-hazardous locations only.</p> <p>(FR) • Cet appareil convient uniquement pour une utilisation en atmosphères explosibles de classe I, division 2, groupes A, B, C et D ou en atmosphères non explosibles.</p>
	<p>(EN) • WARNING: Explosion Hazard - Do not connect or disconnect equipment unless power has been switched off or the area is known to be non-hazardous.</p> <p>(FR) • AVERTISSEMENT : risque d'explosion - ne pas connecter ou déconnecter les équipements sauf si l'alimentation a été coupée ou si la zone est réputée non dangereuse.</p>
	<p>(EN) • If the equipment is used in a manner not specified by the manufacturer, the protection provided by the equipment may be impaired.</p> <p>(FR) • Si l'équipement est utilisé d'une manière non spécifiée par le fabricant, la protection fournie par cet équipement peut être altérée.</p>
	<p>(EN) • This equipment must be installed in a suitable, tool secured/key locked enclosure.</p> <p>(FR) • Cet équipement doit être installé dans un boîtier approprié, verrouillé par une clé ou dont l'ouverture nécessite l'utilisation d'un outil.</p>

EMC data

Low Voltage Directive	Conformance with Low Voltage Directive 2014/35/EC
Interference emission	Interference emission in accordance with EN 61000-6-3 (residential and commercial) and EN 61000-6-4 (industrial)
Noise immunity	Immunity in accordance with EN 61000-6-1 (residential), EN 61000-6-2 (industrial)
Electromagnetic compatibility	Conformance with EMC Directive 2014/30/EU
Conducted noise emission	EN 55016 EN 61000-6-3 (Class B)
Noise emission	EN 55016 EN 61000-6-3 (Class B)

Harmonic currents

Standards/regulations	EN 61000-3-2 EN 61000-3-2 (Class A)
Frequency range	0 kHz ... 2 kHz

Flicker

Standards/regulations	EN 61000-3-3 EN 61000-3-3
Frequency range	0 kHz ... 2 kHz

Electrostatic discharge

Standards/regulations	EN 61000-4-2
-----------------------	--------------

Electrostatic discharge

Contact discharge	6 kV (Test Level 3)
Discharge in air	8 kV (Test Level 3)

TRIO3-PS/1AC/24DC/20/8C/IOL - Power supply unit



1252697

<https://www.phoenixcontact.com/de/produkte/1252697>

Comments	Criterion B
Electromagnetic HF field	
Standards/regulations	EN 61000-4-3
Electromagnetic HF field	
Frequency range	80 MHz ... 1 GHz
Test field strength	10 V/m (Test Level 3)
Frequency range	1 GHz ... 6 GHz
Test field strength	10 V/m (Test Level 3)
Comments	Criterion A
Fast transients (burst)	
Standards/regulations	EN 61000-4-4
Fast transients (burst)	
Input	asymmetrical 2 kV (Test Level 3)
Output	asymmetrical 2 kV (Test Level 3)
Signal	asymmetrical 1 kV (Test Level 3)
Comments	Criterion A
Surge voltage load (surge)	
Standards/regulations	EN 61000-4-5
Input	symmetrical 2 kV (Test Level 4) asymmetrical 4 kV (Test Level 4)
Output	symmetrical 1 kV (Test Level 3) asymmetrical 2 kV (Test Level 3)
Signal	asymmetrical 1 kV (Test Level 2)
Comments	Criterion A
Conducted interference	
Standards/regulations	EN 61000-4-6
Conducted interference	
I/O/S	asymmetrical
Frequency range	0.15 MHz ... 80 MHz
Comments	Criterion A
Voltage	10 V (Test Level 3)
Voltage dips	
Standards/regulations	EN 61000-4-11
Voltage	230 V AC
Frequency	50 Hz
Voltage dip	70 %
Number of periods	25 periods
Additional text	Class 3
Comments	Criterion A
Voltage dip	40 %

TRIO3-PS/1AC/24DC/20/8C/IOL - Power supply unit



1252697

<https://www.phoenixcontact.com/de/produkte/1252697>

Number of periods	10 periods
Additional text	Class 3
Comments	Criterion B
Voltage dip	0 %
Number of periods	1 period
Additional text	Class 3
Comments	Criterion A

Criteria

Criterion A	Normal operating behavior within the specified limits.
Criterion B	Temporary impairment to operational behavior that is corrected by the device itself.
Criterion C	Temporary adverse effects on the operating behavior, which the device corrects automatically or which can be restored by actuating the operating elements.

TRIO3-PS/1AC/24DC/20/8C/IOL - Power supply unit

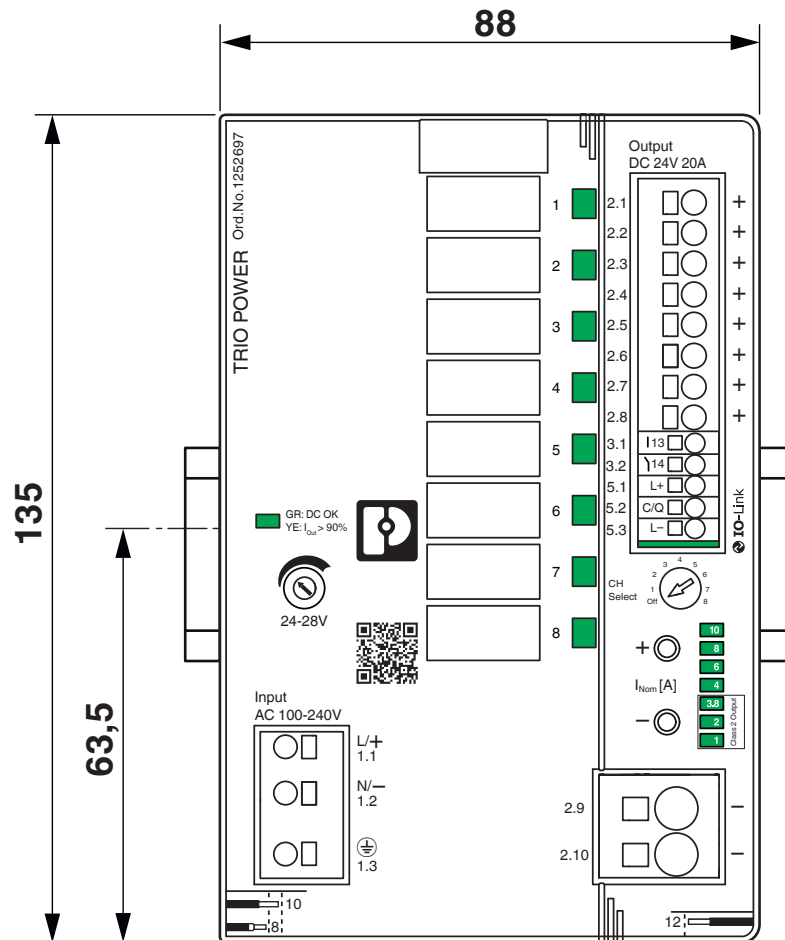


1252697

<https://www.phoenixcontact.com/de/produkte/1252697>

Drawings

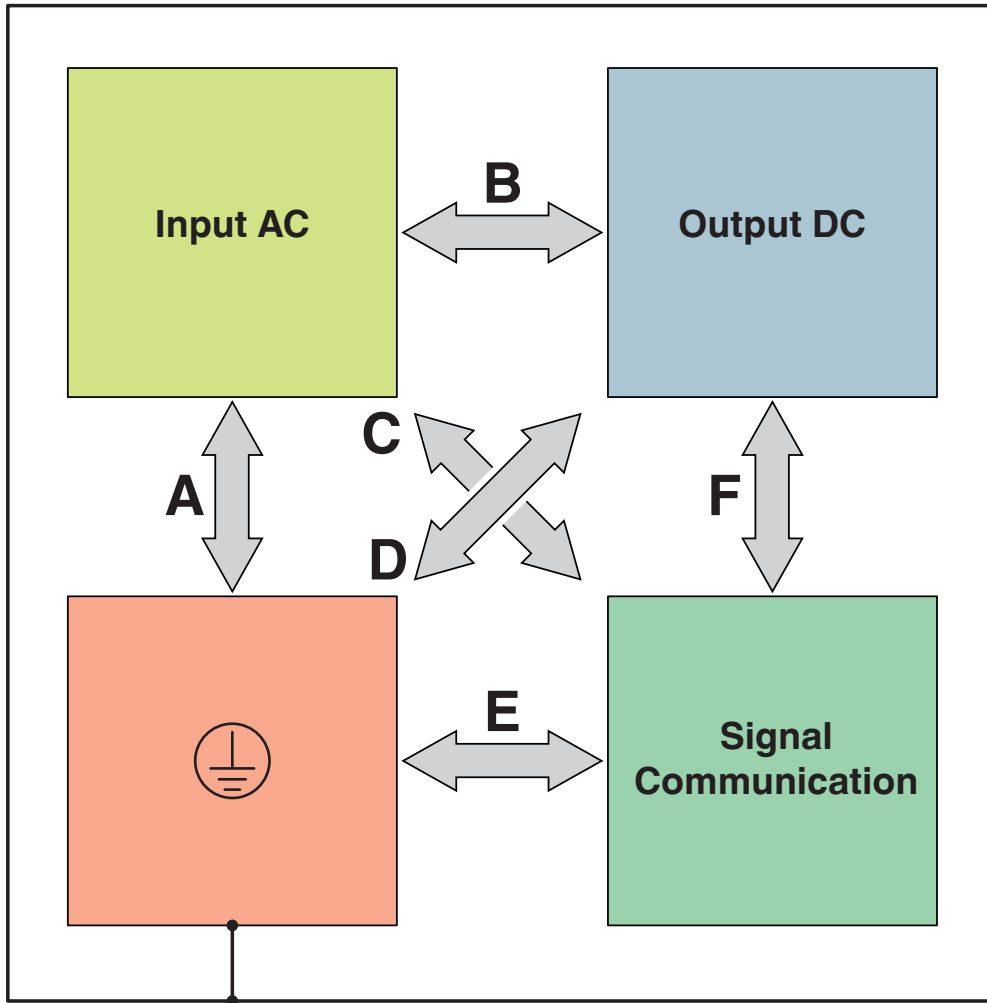
Dimensional drawing



Device dimensions (dimensions in mm)

Schematic diagram

Housing



Test sections, insulation voltage

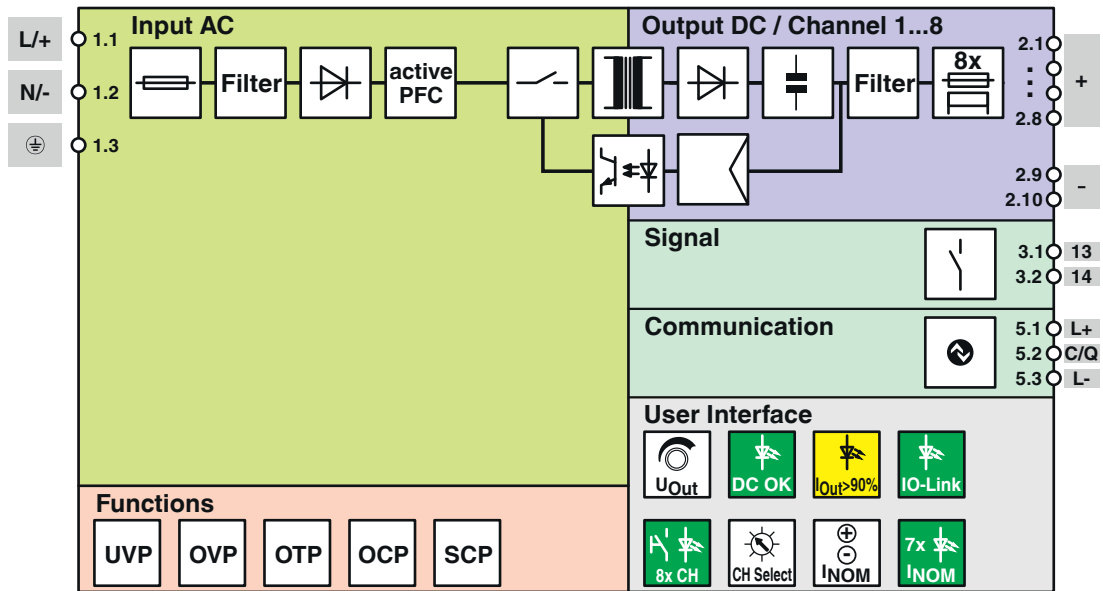
TRIO3-PS/1AC/24DC/20/8C/IOL - Power supply unit



1252697

<https://www.phoenixcontact.com/de/produkte/1252697>

Block diagram



Block diagram

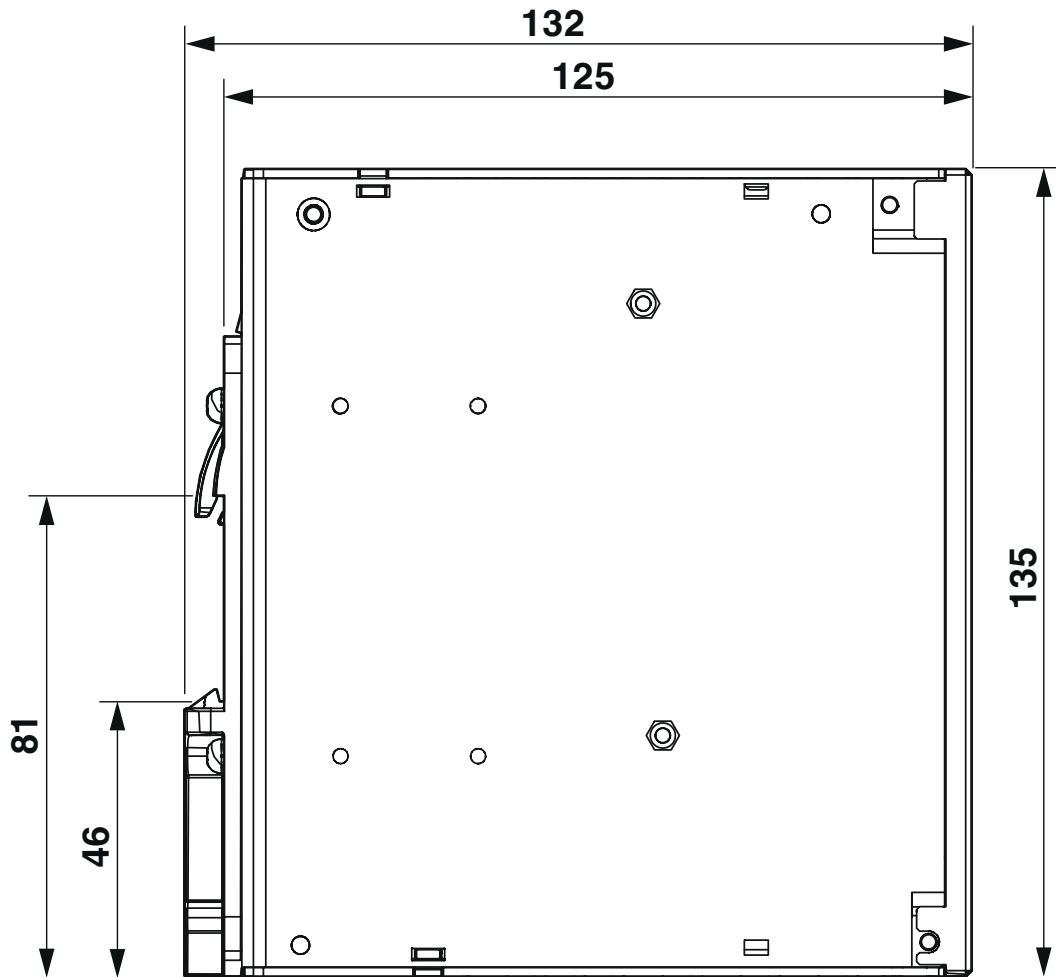
TRIO3-PS/1AC/24DC/20/8C/IOL - Power supply unit



1252697

<https://www.phoenixcontact.com/de/produkte/1252697>

Dimensional drawing



Device dimensions (dimensions in mm)

TRIO3-PS/1AC/24DC/20/8C/IOL - Power supply unit



1252697

<https://www.phoenixcontact.com/de/produkte/1252697>

Approvals

To download certificates, visit the product detail page: <https://www.phoenixcontact.com/de/produkte/1252697>



cULus Listed

Approval ID: FILE E 123528



cULus Listed

Approval ID: FILE E 199827

TRIO3-PS/1AC/24DC/20/8C/IOL - Power supply unit



1252697

<https://www.phoenixcontact.com/de/produkte/1252697>

Classifications

ECLASS

ECLASS-11.0	27040701
ECLASS-12.0	27040701
ECLASS-13.0	27040701

TRIO3-PS/1AC/24DC/20/8C/IOL - Power supply unit



1252697

<https://www.phoenixcontact.com/de/produkte/1252697>

Environmental Product Compliance

REACH SVHC

Lead 7439-92-1

TRIO3-PS/1AC/24DC/20/8C/IOL - Power supply unit



1252697

<https://www.phoenixcontact.com/de/produkte/1252697>

Accessories

POTI SEALING PLUG - Closing cap

1175957

<https://www.phoenixcontact.com/de/produkte/1175957>



Sealing plug for protection against manipulation (adjustment of the DC output voltage) by sealing off the potentiometer opening

WT-HF 3,6X140 - Cable tie

3240744

<https://www.phoenixcontact.com/de/produkte/3240744>



Cable binders for quick and secure bundling, standard version

TRIO3-PS/1AC/24DC/20/8C/IOL - Power supply unit



1252697

<https://www.phoenixcontact.com/de/produkte/1252697>

UWA 182/52 - Mounting adapter

2938235

<https://www.phoenixcontact.com/de/produkte/2938235>



Universal wall adapter for securely mounting the device in the event of strong vibrations. The device is screwed directly onto the mounting surface. The universal wall adapter is attached on the top/bottom.

EML (20X8)R - Label

0816786

<https://www.phoenixcontact.com/de/produkte/0816786>



Label, Roll, white, unlabeled, can be labeled with: THERMOMARK E.300 (D)/600 (D), THERMOMARK ROLL 2.0, THERMOMARK ROLL, THERMOMARK ROLL X1, THERMOMARK ROLLMaster 300/600, THERMOMARK X1.2, mounting type: adhesive, lettering field size: 20 x 8 mm, Number of individual labels: 2500

TRIO3-PS/1AC/24DC/20/8C/IOL - Power supply unit



1252697

<https://www.phoenixcontact.com/de/produkte/1252697>

EML (17,5X8)R - Label

0816744

<https://www.phoenixcontact.com/de/produkte/0816744>



Label, Roll, white, unlabeled, can be labeled with: THERMOMARK E.300 (D)/600 (D), THERMOMARK ROLL 2.0, THERMOMARK ROLL, THERMOMARK ROLL X1, THERMOMARK ROLLMASTER 300/600, THERMOMARK X1.2, mounting type: adhesive, lettering field size: 17.5 x 8 mm, Number of individual labels: 2500

Phoenix Contact 2023 © - all rights reserved

<https://www.phoenixcontact.com>

PHOENIX CONTACT Deutschland GmbH

Flachsmarktstraße 8

D-32825 Blomberg

+49 52 35/3-1 20 00

info@phoenixcontact.de