

# Lead Acid Rechargeable Battery **multicomp** PRO

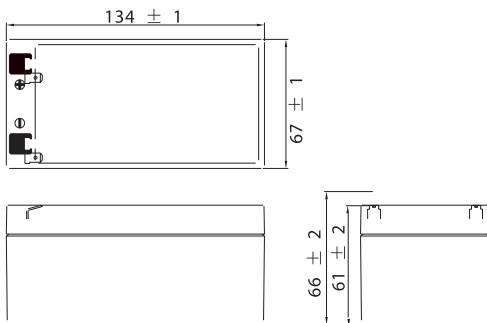
**RoHS  
Compliant**



## Application

- UPS
- Alarm and security system
- Toys

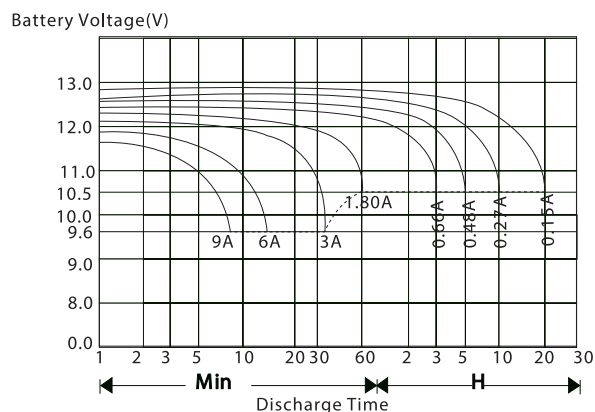
## Dimensions



Nominal voltage	12V	
Rated Capacity (20 HR)	3Ah	
Approx Weight	1.2kg	
Terminal	Standard	F1-TAB 187E
	Optional	
Operation Temperature		
Charge	0°C (32°F) to 40°C (104°F)	
Discharge	-20°C (-4°F) to 50°C (122°F)	
Storage	-20°C (-4°F) to 40°C (104°F)	

Capacity 25°C (77°F)	20 hour rate (0.15A)	3Ah
	10 hour rate (0.27A)	2.7Ah
	5 hour rate (0.48A)	2.4Ah
	1 hour rate (1.8A)	1.8Ah
Capacity affected by temperature	40°C (104°F)	103%
	25°C (77°F)	100%
	0°C (32°F)	86%
	-15°C (5°F)	65%
Self-discharge at 25°C (77°F) Before recharge	Capacity after 3 month	91%
	Capacity after 6 month	82%
	Capacity after 12 month	64%
Constant voltage charge	Cycle	Initial Charging Current ≤0.99A 14.4V to 15V at 25°C (77°F)
	Standby	13.5V to 13.8V at 25°C (77°F)
Max discharge current for 5 seconds		42A

## Discharge characteristic



Note: Discharge shall be cut-off at 10.5V if discharge at 1CA and at 9.6V if at ≥1CA

Dimensions : Millimetres

Newark.com/multicomp-pro  
Farnell.com/multicomp-pro  
sg.element14.com/b/multicomp-pro

**multicomp** PRO

# Lead Acid Rechargeable Battery **multicomp** PRO

## Constant current (Amp) and Constant Power (Watt) Discharge Table at 25°C (77°F)

Final voltage \ Time (min)		5	10	15	20	30	60	120	180	300	600
1.8VPC	A	12.49	7.76	5.57	4.76	3.01	1.65	1.16	0.59	0.41	0.23
	W	132	82	58.5	50	32	15.92	12.95	9.2	5.76	3.16
1.75VPC	A	12.78	8.15	5.76	4.95	3.16	1.8	1.26	0.66	0.48	0.27
	W	135	85	60.5	52	34	17.86	13.5	9.82	5.93	3.24
1.7VPC	A	13.16	8.56	6.24	5.24	3.28	2.03	1.29	0.75	0.55	0.3
	W	139	89	65.5	55	37	21.95	13.8	10	6.13	3.32
1.65VPC	A	13.34	8.73	6.43	5.43	3.35	2.21	1.32	0.82	0.59	0.31
	W	141	91	67.5	57	39	23.99	14.13	10.2	6.41	3.53
1.6VPC	A	13.49	8.95	6.6	5.52	3.43	2.32	1.35	0.91	0.6	0.33
	W	142.5	92.5	69.3	58	40	24.85	14.41	10.4	6.71	3.72

### Part Number Table

Description	Part Number
Battery, Lead Acid, 3Ah, 12V	MP012440

**Important Notice :** This data sheet and its contents (the "Information") belong to the members of the AVNET group of companies (the "Group") or are licensed to it. No licence is granted for the use of it other than for information purposes in connection with the products to which it relates. No licence of any intellectual property rights is granted. The Information is subject to change without notice and replaces all data sheets previously supplied. The Information supplied is believed to be accurate but the Group assumes no responsibility for its accuracy or completeness, any error in or omission from it or for any use made of it. Users of this data sheet should check for themselves the Information and the suitability of the products for their purpose and not make any assumptions based on information included or omitted. Liability for loss or damage resulting from any reliance on the Information or use of it (including liability resulting from negligence or where the Group was aware of the possibility of such loss or damage arising) is excluded. This will not operate to limit or restrict the Group's liability for death or personal injury resulting from its negligence. Multicomp Pro is the registered trademark of Premier Farnell Limited 2019.

Newark.com/multicomp-pro  
 Farnell.com/multicomp-pro  
 sg.element14.com/b/multicomp-pro

**multicomp** PRO