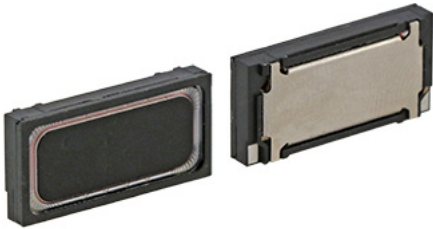


RoHS
Compliant

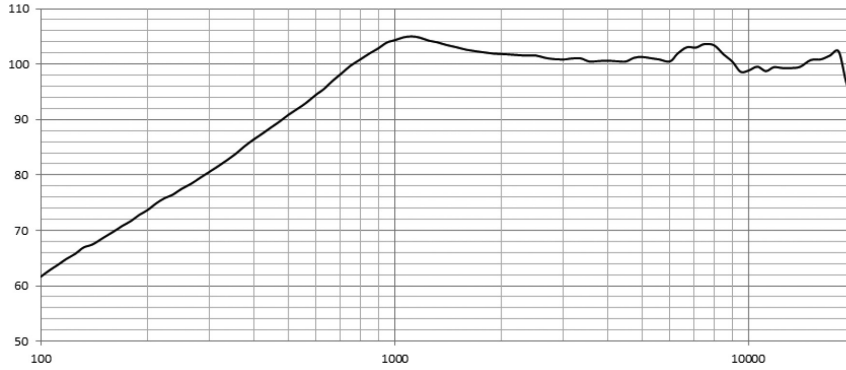


Electrical and Acoustical Specification

Item	Specifications
Dimension	11 × 23 × 3.7
Rated Input Power	2W (1cc box)
Max Input Power	2.2W (1cc box)
Rated Impedance	4 ±20% Ω /2.0KHz/2.83Vrms
Coil resistance	3.6 ±10% Ω
Resonance Frequency(f ₀)	1000 ±20% Hz while testing in 1cc box at 2.83Vrms/10cm
Sound Pressure Level	103 ±3 dB SPL /2.83Vrms/10cm (at 1.0,1.5, 2KHz in 1cc box)
Frequency Range	f ₀ Hz ~20KHz
Total Harmonic Distortion	10%MAX. at 2KHz, 2.83Vrms/10cm
Flux Density	0.4T
Polarity	When a positive DC Current is applied to the voice coil terminal marked +or red, the diaphragm shall move forward
Operation Test	Must be normal at sine wave and program source 2W.
Buzz,Rattle,etc.	Must be free audible noise (buzzes and rattles) (200Hz to 2KHz frequency range, input level up to 2.83Vrms, while testing in 1cc box.)
Weight	2.8g
Appearance	Should not exist any obstacle to be harmful to normal operation; damages, cracks, rusts and distortions, etc.
Storage Temperature	-20°C to +70°C
Operation Temperature	-20°C to +60°C

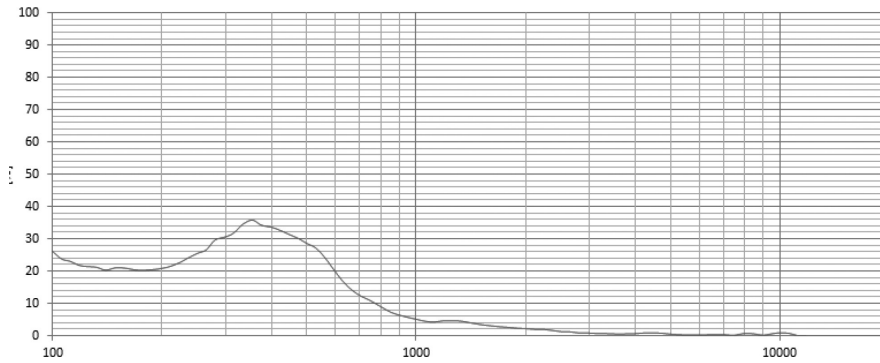
Frequency Response Curve

Test conditions: 2.83Vrms/10cm in 1cc BOX



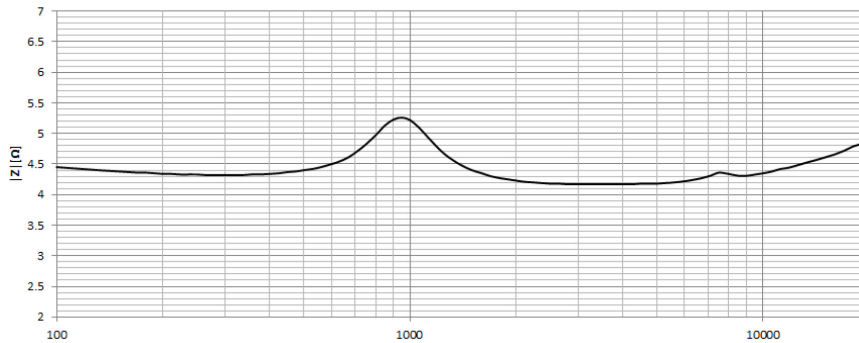
Speaker Distortion Curve

Test conditions: 2.83Vrms/10cm in 1cc BOX

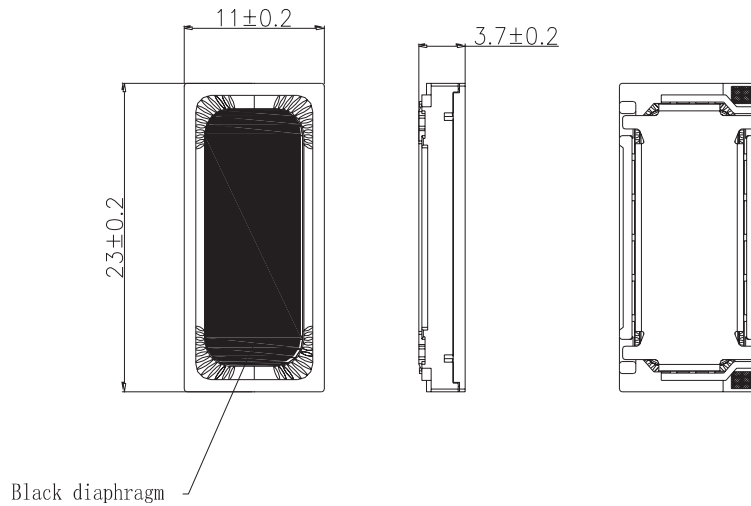


Impedance Response Curve

Test conditions: 2.83Vrms/10cm in 1cc BOX



Diagram



Unless otherwise specified, tolerance: ±0.2

Part Name	Material	Q'TY
Frame + terminal	PPA+SUS	1
Yoke	SPCC	
Diaphragm	PEEK	
Voice coil	Copper Wire	
Plate	SPCC	
Magnet	NdFeB	
Front Cover	PPA	

Part Number Table

Description	Part Number
Speaker, 4Ω, 2W, 11mm × 23mm × 3.7mm	MCABS-273-RC

Dimensions : Millimetres

Important Notice : This data sheet and its contents (the "Information") belong to the members of the AVNET group of companies (the "Group") or are licensed to it. No licence is granted for the use of it other than for information purposes in connection with the products to which it relates. No licence of any intellectual property rights is granted. The Information is subject to change without notice and replaces all data sheets previously supplied. The Information supplied is believed to be accurate but the Group assumes no responsibility for its accuracy or completeness, any error in or omission from it or for any use made of it. Users of this data sheet should check for themselves the Information and the suitability of the products for their purpose and not make any assumptions based on information included or omitted. Liability for loss or damage resulting from any reliance on the Information or use of it (including liability resulting from negligence or where the Group was aware of the possibility of such loss or damage arising) is excluded. This will not operate to limit or restrict the Group's liability for death or personal injury resulting from its negligence. Multicomp Pro is the registered trademark of Premier Farnell Limited 2019.