

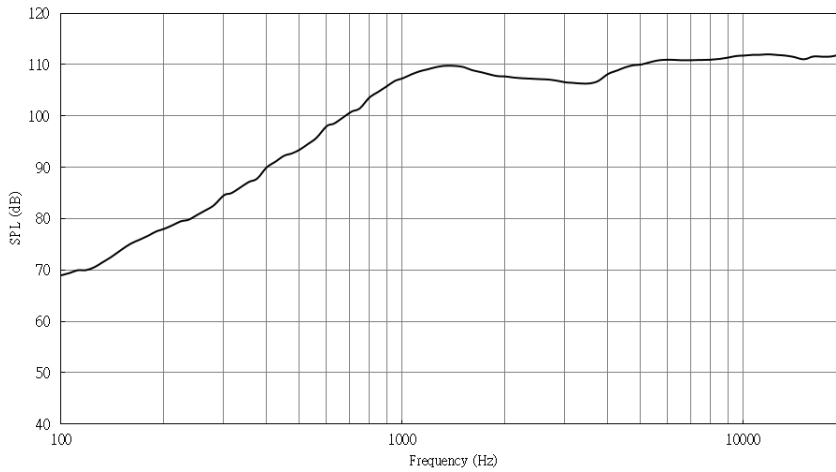
RoHS
Compliant



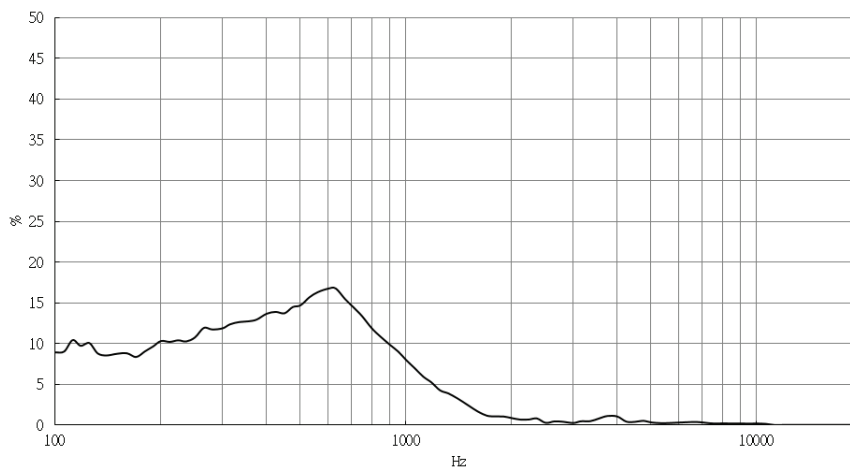
Electrical and Acoustical Specification

Item	Specifications
Dimension	$\phi 20 \times \phi 14.4 \times 6.4t$
Rated Input Power	2W
Max Input Power	2.2W
Rated Impedance	$4 \pm 15\% \Omega / 1\text{KHz}/1\text{V}$
Resonance Frequency(f_0)	$1000 \pm 20\% \text{ Hz}/1\text{V}$
Sound Pressure Level	$107 \pm 3 \text{ dB}$ at (AVG 0.8,1.0,1.5,2.0)KHz 2cm/2W
Frequency Range	$f_0\text{Hz} \sim 20\text{KHz}$
Total Harmonic Distortion	10%MAX. at 1KHz, 2.0W
Flux Density	1T
Polarity	When a positive DC Current is applied to the voice coil terminal marked +or red, the diaphragm shall move forward
Operation Test	Must be normal at sine wave and program source 2W.
Buzz, Rattle, etc.	Should not be audible at 2.83 V sine wave between ($f_0 \text{ Hz} \sim 20\text{KHz}$)
Weight	4g
Voice Coil Diameter	KL11.75mm
Magnet (NdFeB)	$\phi 11 \times 1.5 \text{ mm}$
Appearance	Should not exist any obstacle to be harmful to normal operation; damages, cracks, rusts and distortions, etc.

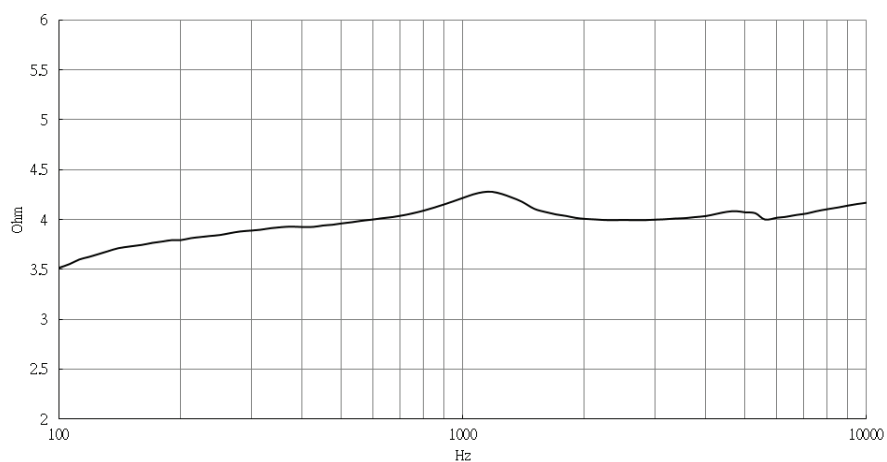
Frequency Response Curve



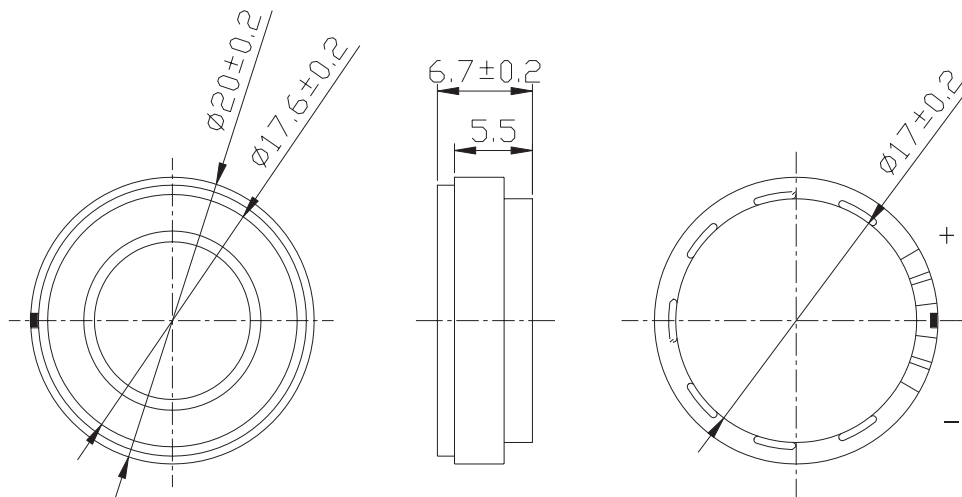
Speaker Distortion Curve



Impedance Response Curve



Diagram



Unless otherwise specified, tolerance: ± 0.2

Part Name	Material	Q'TY
Frame	Black PBT	1
Cloth conel	Cloth+Paper	
Yoke	SPCC	
Dust cap	Black Cap	
Voice coil	Kapton	
Magnet	NdFeB	
Plate	SPCC	
PCB	EPOXY	
Gasket	Black PBT	

Part Number Table

Description	Part Number
Speaker, 4Ω, 2W, 20mm dia.	MCABS-274-RC

Dimensions : Millimetres

Important Notice : This data sheet and its contents (the "Information") belong to the members of the AVNET group of companies (the "Group") or are licensed to it. No licence is granted for the use of it other than for information purposes in connection with the products to which it relates. No licence of any intellectual property rights is granted. The Information is subject to change without notice and replaces all data sheets previously supplied. The Information supplied is believed to be accurate but the Group assumes no responsibility for its accuracy or completeness, any error in or omission from it or for any use made of it. Users of this data sheet should check for themselves the Information and the suitability of the products for their purpose and not make any assumptions based on information included or omitted. Liability for loss or damage resulting from any reliance on the Information or use of it (including liability resulting from negligence or where the Group was aware of the possibility of such loss or damage arising) is excluded. This will not operate to limit or restrict the Group's liability for death or personal injury resulting from its negligence. Multicomp Pro is the registered trademark of Premier Farnell Limited 2019.