

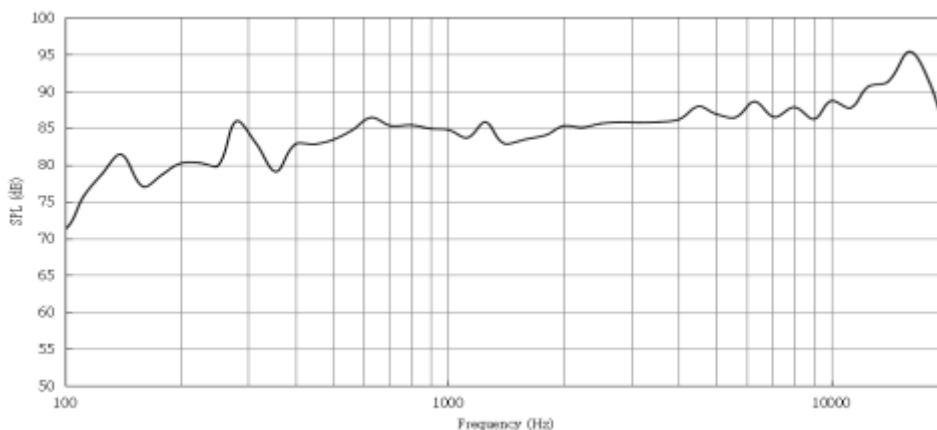
RoHS  
Compliant



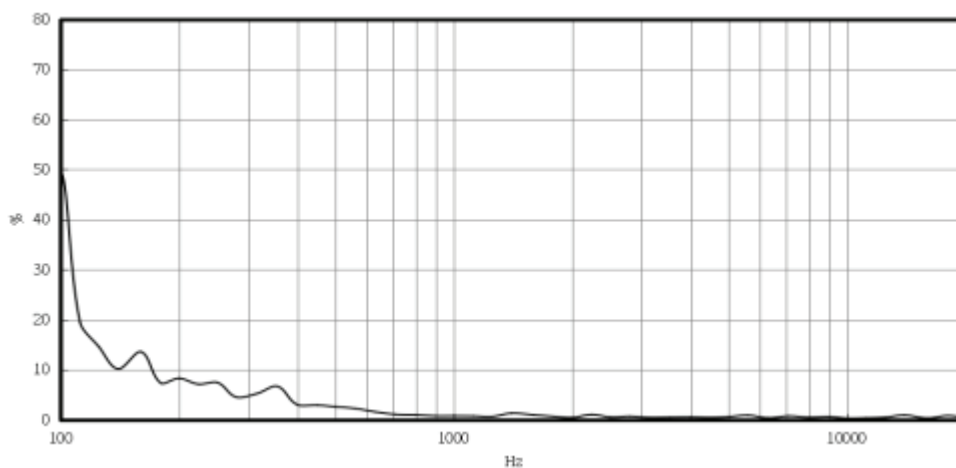
## Electrical and Acoustical Specification

Item	Specifications
Type	Dynamic speaker   Speaker (Circle)
Dimension	Speaker $\Phi 40H \times 21H$
Rated Input Power	3 W sine wave
Max Input Power	5 W sine wave
Rated Impedance	$4 \pm 15\% \Omega / 1\text{Hz}/1\text{V}$
Resonance Frequency( $f_0$ )	$180 \pm 20\% \text{ Hz}/1\text{V}$ Speaker
Sound Pressure Level	$85 \pm 3\text{dB}$ 1W/0.5m at (AVG 0.8, 1.0, 1.6, 2.0) KHz baffleboard (IEC)
Frequency Range	$f_0\text{Hz} \sim 20\text{KHz}$
Total Harmonic Distortion	5% MAX. at 1KHz, 1W with standard baffle
Polarity	When a positive DC Current is applied to the voice coil terminal marked + or red, the diaphragm shall move forward
Operation Test	Must be normal at sine wave and program source 3.0W.
Buzz, Rattle, etc.	Should not be audible at 3.46V sine wave between ( $F_0 \text{ Hz} \sim 20\text{kHz}$ )
Weight	30.8g
Appearance	Should not exist any obstacle to be harmful to normal operation; damages, cracks, rusts and distortions, etc.
Operating temp.	$-20^\circ\text{C}$ to $+60^\circ\text{C}$
Storage temp.	$-20^\circ\text{C}$ to $+60^\circ\text{C}$

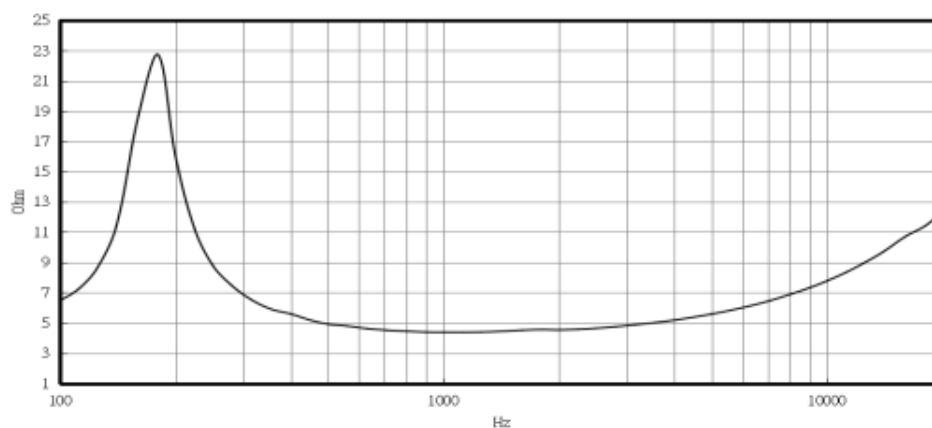
## Frequency Response Curve



## Thd Curve

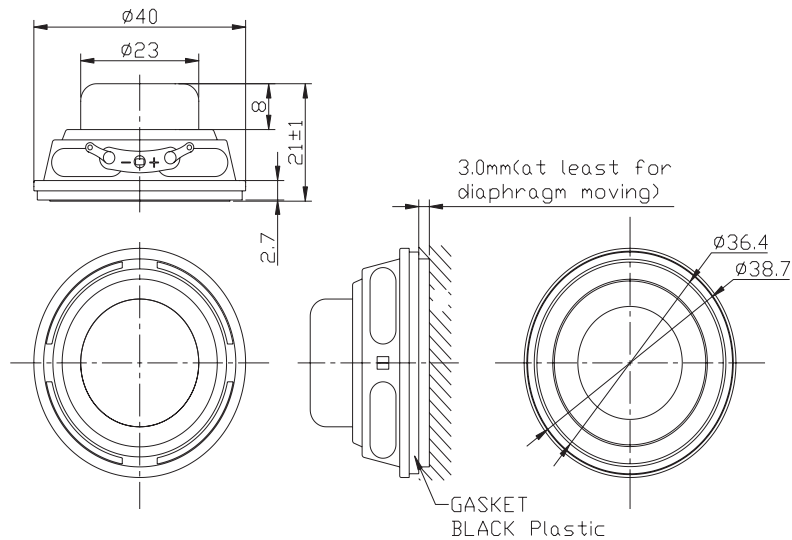


## Impedance Curve



## Diagram

Unless otherwise specified, tolerance:±0.5



Part Name	Material	Q'TY
Frame	SPCC	1
Magnet	NdFeB	2
Plate	SPCC	1
Voice coil	KSV	
Damper	Silk	
Diaphragm	PU+PAPER+PET	
Terminal	White paper+ Fe	
Gasket	ABS	

## Part Number Table

Description	Part Number
Speaker, 4Ω, 3W, 40mm dia.	MCABS-275-RC

Dimensions : Millimetres

**Important Notice :** This data sheet and its contents (the "Information") belong to the members of the AVNET group of companies (the "Group") or are licensed to it. No licence is granted for the use of it other than for information purposes in connection with the products to which it relates. No licence of any intellectual property rights is granted. The Information is subject to change without notice and replaces all data sheets previously supplied. The Information supplied is believed to be accurate but the Group assumes no responsibility for its accuracy or completeness, any error in or omission from it or for any use made of it. Users of this data sheet should check for themselves the Information and the suitability of the products for their purpose and not make any assumptions based on information included or omitted. Liability for loss or damage resulting from any reliance on the Information or use of it (including liability resulting from negligence or where the Group was aware of the possibility of such loss or damage arising) is excluded. This will not operate to limit or restrict the Group's liability for death or personal injury resulting from its negligence. Multicomp Pro is the registered trademark of Premier Farnell Limited 2019.