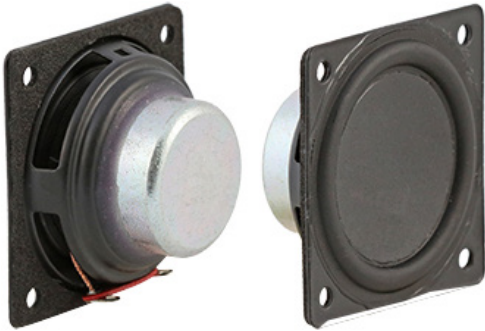


RoHS  
Compliant

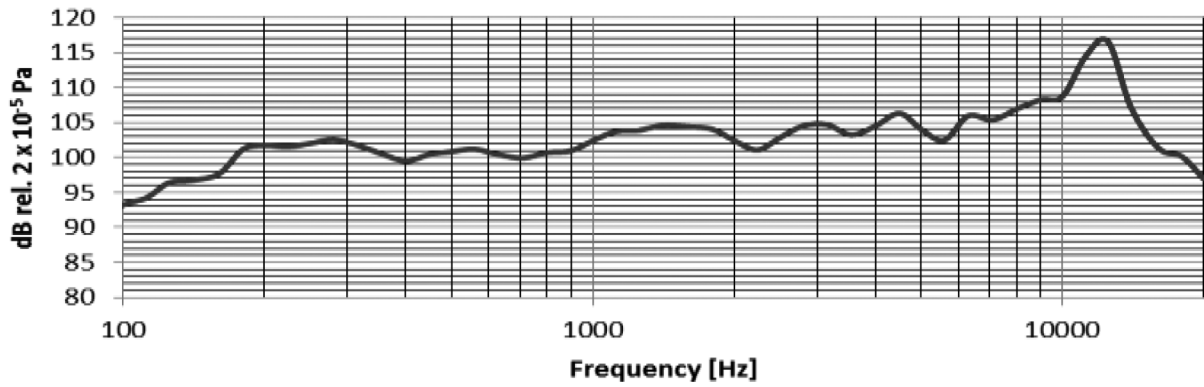


## Electrical and Acoustical Specification

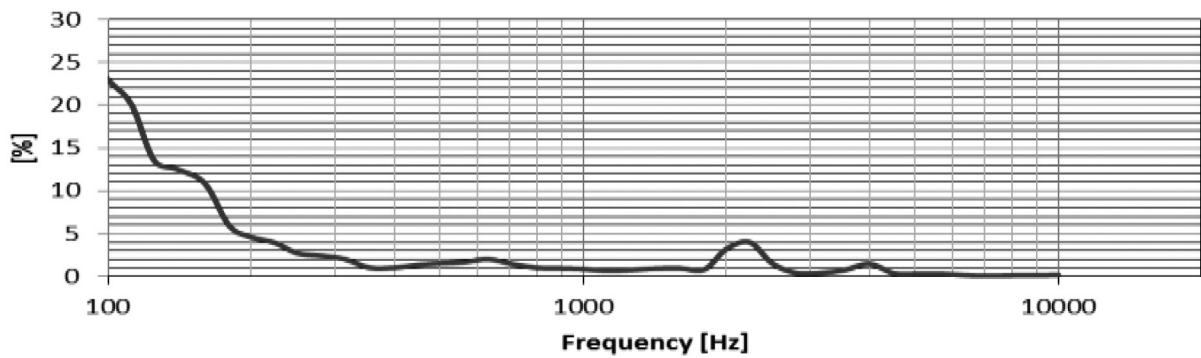
Item	Specifications	
Dimension	42.5mm × 42.5mm × 21.6mm	
Rated Input Power	3 W	
Max Input Power	5W for 1 minute	
Rated Impedance	4 ±15% Ω /1KHz/2V	
Coil resistance	3.7 ±10% Ω	
Resonance Frequency(f0)	230 ±20% Hz/2V	
Sound Pressure Level	103±3 dB /1W/10cm	AVG. At (1-2) KHz baffle board (IEC)
Frequency Range	f0HZ ~20KHz	
Total Harmonic Distortion	150-200Hz<25, 300Hz<12, 10000Hz<5	
Polarity	When a positive DC Current is applied to the voice coil terminal marked +or red, the diaphragm shall move forward	
Operation Test	Must be normal at sine wave and program source 2W.	
Buzz, Rattle, etc.	Should not be audible at 4V sine wave between (100Hz ~ 2kHz)	
Weight	41.2 g ±10%	
Voice Coil Diameter	φ16.4 mm	
Magnet (NdFeB)	φ15.5 × 5+φ15.5 × 2t mm	
Appearance	Should not exist any obstacle to be harmful to normal operation; damages, cracks, rusts and distortions, etc.	
Storage temp.	-25°C to +70°C	
Operating temp.	-20°C to +60°C	

## Frequency Response Curve

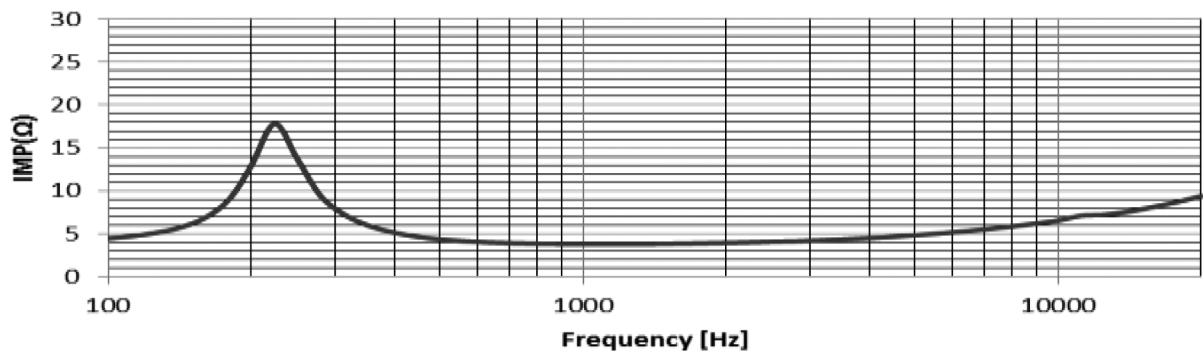
### Sound Pressure Level



### Distortion

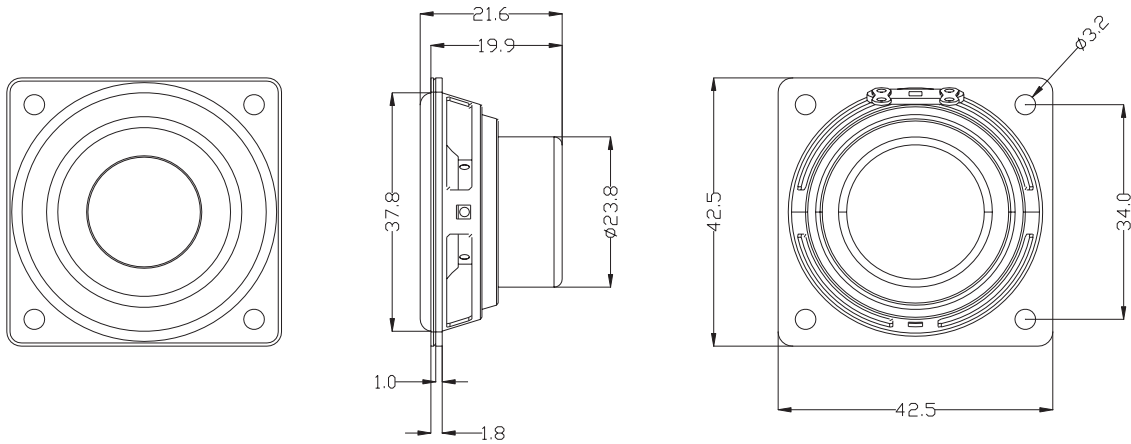


### IMPEDANCE



## Diagram

Unless otherwise specified, tolerance:±0.5



Part Name	Material	Q'TY
Frame	Black SPCC	1
Diaphragm	Black Paper	
Voice coil	Copper	
Plate	SPCC	
Magnet	NdFeB	
Dust cap	Black Mylar	

## Part Number Table

Description	Part Number
Speaker, 4Ω, 3W, 42.5mm × 42.5mm × 22mm	MCABS-276-RC

Dimensions : Millimetres

**Important Notice :** This data sheet and its contents (the "Information") belong to the members of the AVNET group of companies (the "Group") or are licensed to it. No licence is granted for the use of it other than for information purposes in connection with the products to which it relates. No licence of any intellectual property rights is granted. The Information is subject to change without notice and replaces all data sheets previously supplied. The Information supplied is believed to be accurate but the Group assumes no responsibility for its accuracy or completeness, any error in or omission from it or for any use made of it. Users of this data sheet should check for themselves the Information and the suitability of the products for their purpose and not make any assumptions based on information included or omitted. Liability for loss or damage resulting from any reliance on the Information or use of it (including liability resulting from negligence or where the Group was aware of the possibility of such loss or damage arising) is excluded. This will not operate to limit or restrict the Group's liability for death or personal injury resulting from its negligence. Multicomp Pro is the registered trademark of Premier Farnell Limited 2019.