

RoHS
Compliant

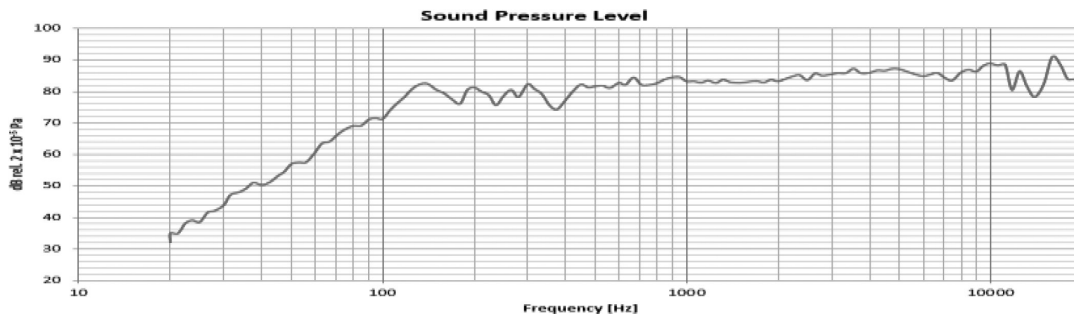


Electrical and Acoustical Specification

Item	Specifications	
Type	Dynamic speaker	Speaker (square)
Dimension	Speaker	45.2H × 28.2H
		Baffle Opening ϕ 23.1
Rated Input Power	4W sine wave	
Max Input Power	6 W sine wave	
Rated Impedance	4 \pm 20% Ω /2KHz/2Vrms	
Resonance Frequency (f ₀)	180 \pm 20% Hz/2V Speaker	
Sound Pressure Level	80 \pm 3dB 1W/1m at (AVG 1.0,2.0, 3.0, 4.0)KHz baffle board (IEC)	
Frequency Range	200HZ ~ 20KHz Average SPL -10 dB	
Total Harmonic Distortion	5% MAX. at 1KHz, 1W with standard baffle	
Polarity	When a positive DC Current is applied to the voice coil terminal marked +or red, the diaphragm shall move forward	
Operation Test	Must be normal at sine wave and program source 4W.	
Buzz, Rattle, etc.	Should not be audible at 4V sine wave between (300Hz ~ 20kHz)	
Weight	35.8g	
Appearance	Should not exist any obstacle to be harmful to normal operation; damages, cracks, rusts and distortions, etc.	
Operating temp.	-20°C to +60°C	
Storage temp.	-30°C to +70°C	

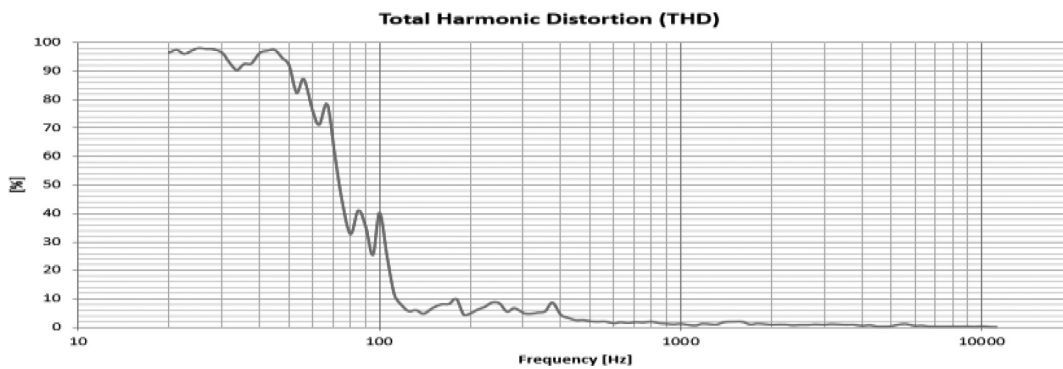
Frequency Response Curve

1W/100CM



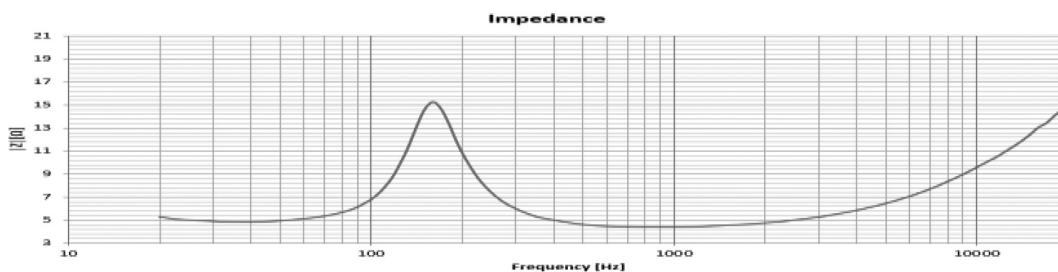
THD Curve

1W/100CM



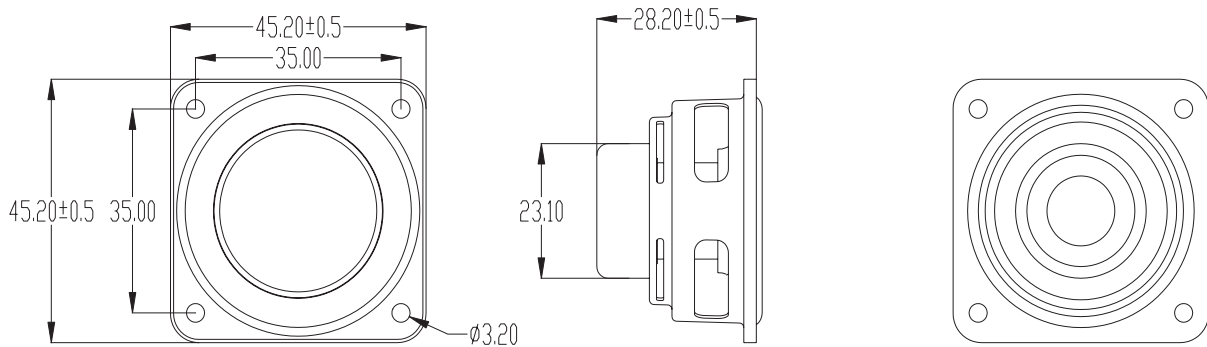
Impedance Curve

1W/100CM



Diagram

Unless otherwise specified, tolerance:±0.5



Part Name	Material	Q'TY
Frame	SPCC	1
Magnet	NdFeB	2
Plate	SPCC	1
Voice coil	Cu	
Diaphragm	Foam	
Terminal	White paper+ Fe	
Cap	Paper	

Part Number Table

Description	Part Number
Speaker, 4Ω, 4W, 45mm dia.	MCABS-277-RC

Dimensions : Millimetres

Important Notice : This data sheet and its contents (the "Information") belong to the members of the AVNET group of companies (the "Group") or are licensed to it. No licence is granted for the use of it other than for information purposes in connection with the products to which it relates. No licence of any intellectual property rights is granted. The Information is subject to change without notice and replaces all data sheets previously supplied. The Information supplied is believed to be accurate but the Group assumes no responsibility for its accuracy or completeness, any error in or omission from it or for any use made of it. Users of this data sheet should check for themselves the Information and the suitability of the products for their purpose and not make any assumptions based on information included or omitted. Liability for loss or damage resulting from any reliance on the Information or use of it (including liability resulting from negligence or where the Group was aware of the possibility of such loss or damage arising) is excluded. This will not operate to limit or restrict the Group's liability for death or personal injury resulting from its negligence. Multicomp Pro is the registered trademark of Premier Farnell Limited 2019.