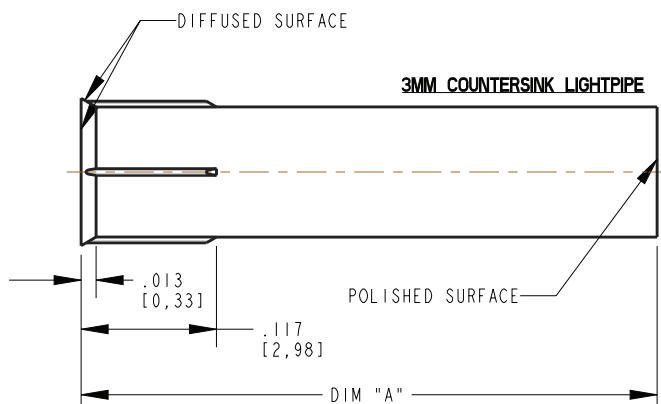
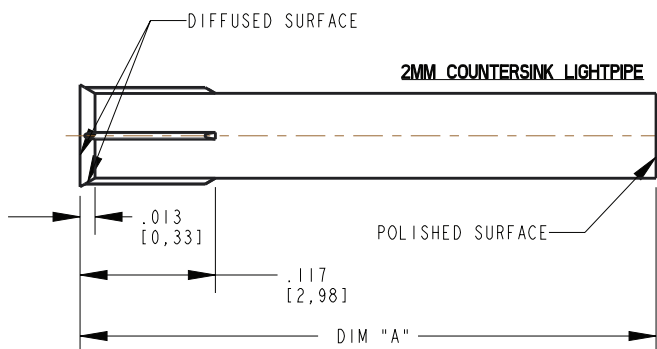
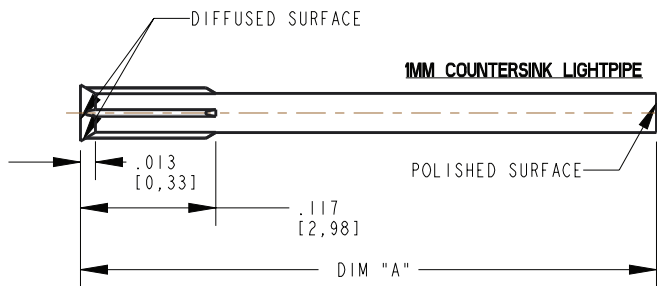




Dimensions

inches (mm)



Features & benefits

- Flush panel mounting and smooth appearance
- Available in 1mm, 2mm, 3mm lens sizes.
- Diffused lens for optimal visibility.
- Standard Lengths: .125 in. (3,2mm) to 1.200 in. (30,48mm).
- Crush-rib design offers secure and tight hold in the panel
- Material: water-clear polycarbonate, UL94-V0, UV stabilized, Halogen-free
- ROHS compliant

Application

Dialight's 515 Optopipe® Countersink Light Pipe series offers an ideal solution for when an indicator cannot protrude from the panel due to safety reasons or esthetics. Perfect for backlighting of applications with overlays.

Mechanical Information

Panel Mounting Hole Size:

.120"(3,05mm) / .079"(2,01mm) / .040" (1,02mm)

Min. Panel Thickness: .050" ± .005" (1,27mm ± 0,12mm)

Operating Temp: -30°C to +100°C

Storage Temp: -30°C to +100°C

Suggested LEDs

1mm Light Pipes

Single Color: 598-8AX0-107F, 598-8EX0-107F

Bi-Color: 597-7707-507F

Tri-Color: 597-7717-507F

2mm and 3mm Light Pipes

Single Color: 597-3XX1-207NF, 597-3XX1-607F,
598-8CX0-107F

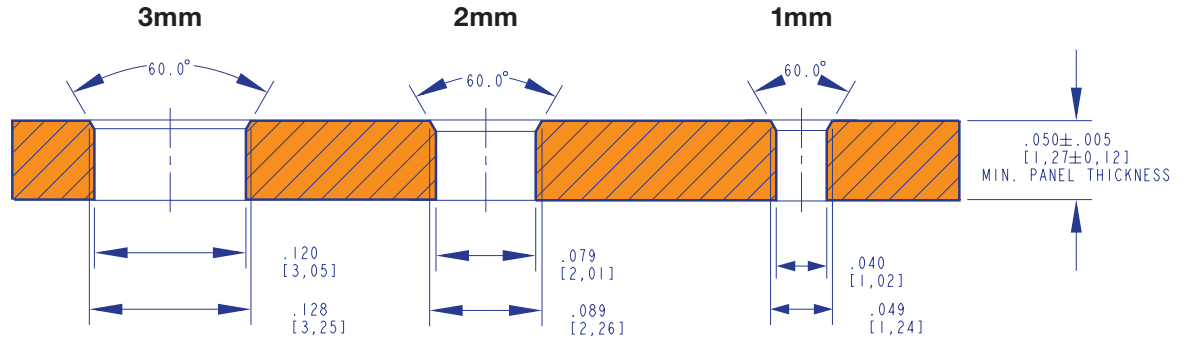
Bi-Color: 597-77X1-207F, 597-7752-007F

Tri-Color: 597-7714-007F



Mounting Hole Dimensions

inches (mm)



Ordering Information 515 Series

Dialight P/N	Overall Length Dim "A"	Light Pipe Diameter	Overall Width Top Of Light Pipe
515-1311-0125F	.125 (3,20mm)	1mm	0.049" (1.24mm)
515-1311-0157F	.157 (4,00mm)	1mm	0.049" (1.24mm)
515-1311-0188F	.188 (4,77mm)	1mm	0.049" (1.24mm)
515-1311-0250F	.250 (6,35mm)	1mm	0.049" (1.24mm)
515-1311-0313F	.313 (7,95mm)	1mm	0.049" (1.24mm)
515-1311-0375F	.375 (9,53mm)	1mm	0.049" (1.24mm)
515-1311-0500F	.500 (12,70mm)	1mm	0.049" (1.24mm)
515-1312-0125F	.125 (3,20mm)	2mm	0.089" (2.26mm)
515-1312-0157F	.157 (4,00mm)	2mm	0.089" (2.26mm)
515-1312-0188F	.188 (4,77mm)	2mm	0.089" (2.26mm)
515-1312-0250F	.250 (6,35mm)	2mm	0.089" (2.26mm)
515-1312-0313F	.313 (7,95mm)	2mm	0.089" (2.26mm)
515-1312-0375F	.375 (9,53mm)	2mm	0.089" (2.26mm)
515-1312-0500F	.500 (12,70mm)	2mm	0.089" (2.26mm)
515-1313-0125F	.125 (3,20mm)	3mm	0.128" (3.25mm)
515-1313-0157F	.157 (4,00mm)	3mm	0.128" (3.25mm)
515-1313-0188F	.188 (4,77mm)	3mm	0.128" (3.25mm)
515-1313-0250F	.250 (6,35mm)	3mm	0.128" (3.25mm)
515-1313-0313F	.313 (7,95mm)	3mm	0.128" (3.25mm)
515-1313-0375F	.375 (9,53mm)	3mm	0.128" (3.25mm)
515-1313-0500F	.500 (12,70mm)	3mm	0.128" (3.25mm)
515-1313-0600F	.600 (15,24mm)	3mm	0.128" (3.25mm)
515-1313-0700F	.700 (17,78mm)	3mm	0.128" (3.25mm)
515-1313-0800F	.800 (20,32mm)	3mm	0.128" (3.25mm)
515-1313-0900F	.900 (22,86mm)	3mm	0.128" (3.25mm)
515-1313-1000F	1.000 (25,4mm)	3mm	0.128" (3.25mm)
515-1313-1100F	1.100 (27,9mm)	3mm	0.128" (3.25mm)
515-1313-1200F	1.200 (30,4mm)	3mm	0.128" (3.25mm)

Dialight reserves the right to make changes at any time in order to supply the best product possible. The most current version of this document will always be available at: www.dialightsignalsandcomponents.com

Warranty Statement: Except for the warranty expressly provided for at: www.dialight.com/resources/warranties/, Dialight disclaims any and all other warranties, express or implied, including, without limitation, any warranties of merchantability, fitness for a particular purpose, title, and noninfringement.