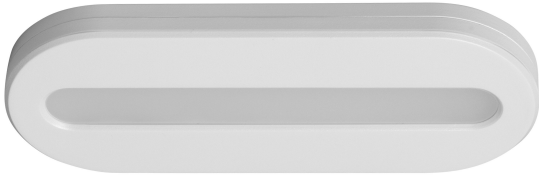


PRODUCT DATASHEET

Linear LED Mobile IR USB White

Linear LED MOBILE IR USB | Drawer and cabinet luminaires with IR sensor, recharging via USB



Areas of application

- Kitchens
- Where light is required but a socket is not available

Product benefits

- Can easily be moved to where light or sound is needed thanks to battery operation
- Easily removeable thanks to the magnetic fixing

Product features

- Integrated rechargeable lithium battery which can be charged via USB cable
- 2 operating modes selectable
- Operating mode 1: Switch-on by movement in front of sensor
- Operating mode 2: Switch-on by opening of drawer or cabinet door



TECHNICAL DATA

Electrical data

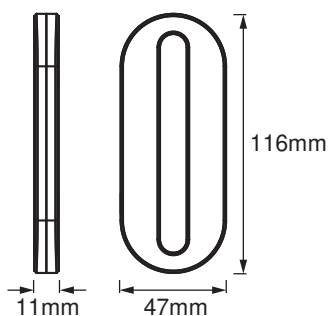
Nominal wattage	0.50 W
Nominal voltage	4,2 V
Mains frequency	0 Hz
Nominal current	120.000 mA
Max. no. of lum. on circuit break. B16 A	-
Max. no. of lum. on circuit break. C10 A	-
Max. no. of lum. on circuit break. C16 A	-
Protection class	III
Operating mode	Battery

Photometrical data

Luminous flux	20 lm
Luminous efficacy	13 lm/W
Color temperature	4000 K
Light color (designation)	Cool White
Color rendering index Ra	90
Standard deviation of color matching	6 sdcn
Beam angle	105 °

Dimensions & Weight

Length	116.00 mm
Width	11.00 mm
Height	47.00 mm
Product weight	37.00 g



Materials & Colors

Product color	White
Housing color	White
Body material	Acrylonitrile butadiene styrene (ABS)
Mercury content	0.0 mg

Application & Mounting

Ambient temperature range	-10...+40 °C
Temperature range at storage	-20...+40 °C
Type of connection	USB
Type of protection	IP20
Dimmable	No
Mounting type	Surface
Mounting location	Cabinet undersides
Application environment	Indoor
LED module replaceable	Not replaceable
With light source	Yes

Lifespan

Lifespan L70/B50 at 25 °C	25000 h ¹⁾
---------------------------	-----------------------

¹⁾ t[h]: L70 / B50 @ 25 °C (Ta), t[h]: L80 / B10 @ 25 °C (Ta), t[h]: L90 / B10 @ 25 °C (Ta)

Sensor

Type of sensor	Motion
Sensor technology	Infrared/Photocell
Detection range of motion sensor	8 cm

Emergency lighting

Nominal voltage of battery	3.7 V
----------------------------	-------



Certificates & Standards

Standards	CE / EAC / UKCA
Luminaire with limited surface temperature, "D sign"	No

EQUIPMENT / ACCESSORIES

– Complete mounting and connecting accessories included

DOWNLOAD DATA

Documents and certificates	
	Declarations Of Conformity CE
	Declarations Of Conformity UKCA

LOGISTICAL DATA

Product code	Packaging unit (Pieces/Unit)	Dimensions (length x width x height)	Gross weight	Volume
4058075399747	Blister 1	140 mm x 14 mm x 195 mm	57.00 g	0.38 dm ³
4058075399754	Shipping box 6	176 mm x 151 mm x 213 mm	460.00 g	5.66 dm ³
4058075401051	Shipping box 96			

The mentioned product code describes the smallest quantity unit which can be ordered. One shipping unit can contain one or more single products. When placing an order, for the quantity please enter single or multiples of a shipping unit.

DISCLAIMER

Subject to change without notice. Errors and omission excepted. Always make sure to use the most recent release.