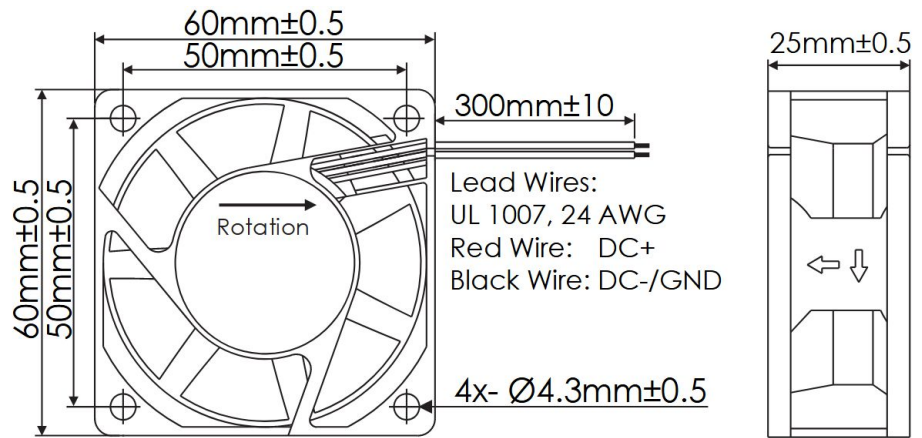


OD6025 Series



DC Fans - 12, 24, 48V
60mm x 25mm (2.4" x 1.0")



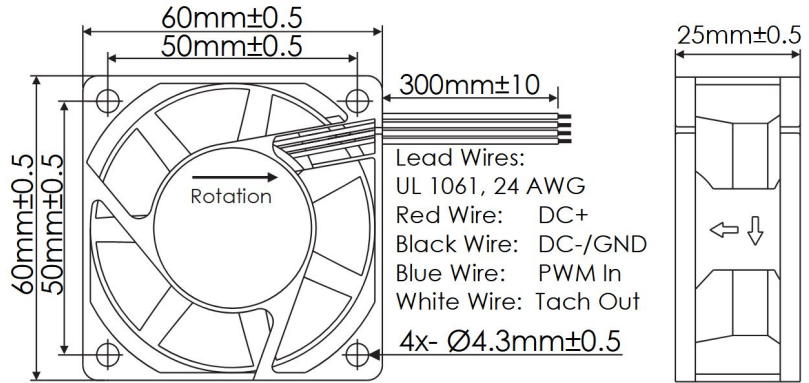
Frame	PBT, UL94 V-0 Plastic	Operating Temperature -20°C ~ +65°C Storage Temperature -20°C ~ +70°C Life Expectancy 60,000 Hours (L10 at 45°C) Available Options PWM Speed Control Input Tachometer Output Alarm Output 5V DC Versions IP and Salt Fog Ratings Weight: 0.14 lbs	
Impeller	PBT, UL94 V-0 Plastic		
Connection	2x Lead Wires, 24 AWG		
Motor	Brushless DC, Auto Cutoff, Auto Restart, Polarity Protected, Electronically Protected		
Bearing System	Ball Bearings		
Dielectric Strength	500VDC/min, <1mA		
Insulation Resistance	≥10MΩ @ 500 VDC		

Part Number	Rated Voltage (Volts DC)	Voltage Range (Volts DC)	Input Power (Watts)	Rated Current (Amps)	Rated Speed (RPM)	Max Airflow (CFM)	Noise Level (dBA)	Max Static Pressure ("H ₂ O)
OD6025-12HHB	12	8 ~ 13.8	1.8	0.21	4390	32	32	0.24
OD6025-12HB	12	8 ~ 13.8	1.8	0.15	3975	25	30	0.22
OD6025-12MB	12	8 ~ 13.8	1.5	0.12	3150	17	25	0.16
OD6025-12LB	12	8 ~ 13.8	1.0	0.08	2480	14	20	0.14
OD6025-24HHB	24	15 ~ 26.4	3.6	0.15	4390	32	32	0.24
OD6025-24HB	24	15 ~ 26.4	2.8	0.12	3975	25	30	0.22
OD6025-24MB	24	15 ~ 26.4	2.2	0.09	3150	17	25	0.16
OD6025-24LB	24	15 ~ 26.4	1.5	0.06	2480	14	20	0.14
OD6025-48HHB	48	28 ~ 52.0	3.4	0.10	4390	32	32	0.24
OD6025-48HB	48	28 ~ 52.0	3.4	0.07	3975	25	30	0.23

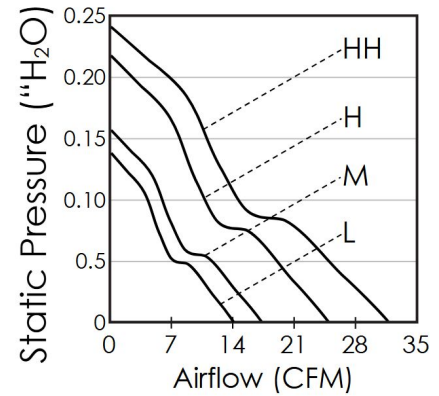
OD6025 Series with PWM and Tach



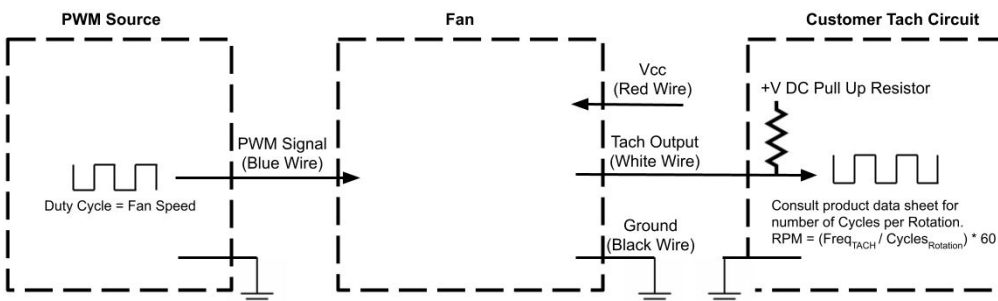
DC Fans - 12, 24, 48V
60mm x 25mm (2.4" x 1.0")



Frame	PBT, UL94 V-0 Plastic	Operating Temperature -20°C ~ +65°C
Impeller	PBT, UL94 V-0 Plastic	
Connection	4x Lead Wires, 24 AWG	Storage Temperature -20°C ~ +70°C
Motor	Brushless DC, Auto Cutoff, Auto Restart, Polarity Protected, Electronically Protected	
Bearing System	Ball Bearings	Life Expectancy 60,000 Hours (L10 at 45°C)
Dielectric Strength	500VDC/min, <1mA	
Insulation Resistance	≥10MΩ @ 500 VDC	Installed Options PWM Speed Control Input Open Collector Tach Output
		Weight: 0.14 lbs



Part Number	Rated Voltage (Volts DC)	Voltage Range (Volts DC)	Input Power (Watts)	Rated Current (Amps)	Rated Speed (RPM)	Max Airflow (CFM)	Noise Level (dBA)	Max Static Pressure ("H ₂ O)
OD6025-12HHB10A	12	8 ~ 13.8	1.8	0.21	4390	32	32	0.24
OD6025-12HB10A	12	8 ~ 13.8	1.8	0.15	3975	25	30	0.22
OD6025-12MB10A	12	8 ~ 13.8	1.5	0.12	3150	17	25	0.16
OD6025-12LB10A	12	8 ~ 13.8	1.0	0.08	2480	14	20	0.14
OD6025-24HHB10A	24	15 ~ 26.4	3.6	0.15	4390	32	32	0.24
OD6025-24HB10A	24	15 ~ 26.4	2.8	0.12	3975	25	30	0.22
OD6025-24MB10A	24	15 ~ 26.4	2.2	0.09	3150	17	25	0.16
OD6025-24LB10A	24	15 ~ 26.4	1.5	0.06	2480	14	20	0.14
OD6025-48HHB10A	48	28 ~ 52.0	3.4	0.10	4390	32	32	0.24
OD6025-48HB10A	48	28 ~ 52.0	3.4	0.07	3975	25	30	0.23

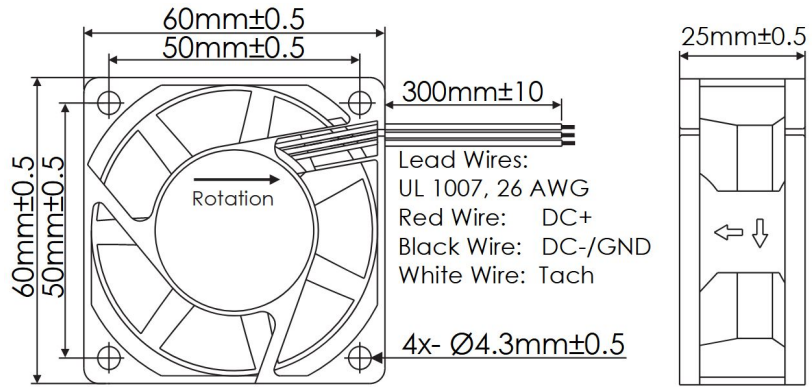


- Tach Max Pullup Voltage: Fan Vcc
- Tach Max Sink Current: 8mA
- Tach Cycles per Rotation: 2
- PWM Max High Voltage: 5V
- PWM Max Sink Current: 5mA
- PWM Frequency Range: 1KHz-40KHz
- PWM Typical Frequency: 25KHz
- RPM at 0% Duty Cycle: 0 RPM
- RPM will be full speed if PWM input is disconnected.
- RPM will be 0 RPM if PWM input is grounded.

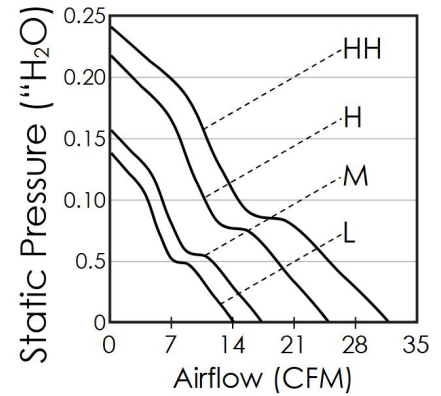
OD6025 Series with Tach



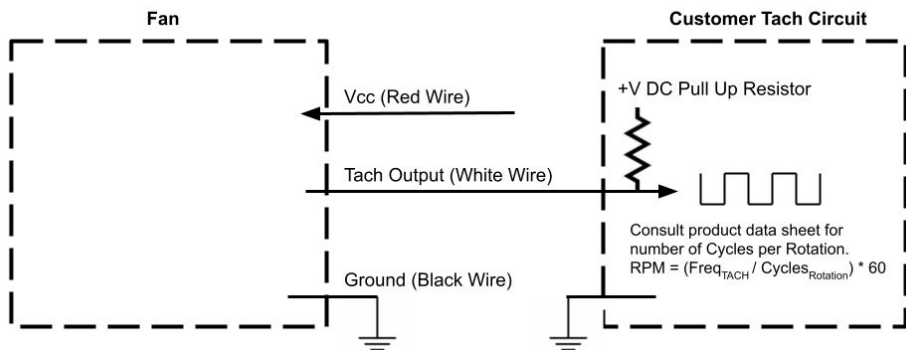
DC Fans - 12, 24, 48V
60mm x 25mm (2.4" x 1.0")



Frame	PBT, UL94 V-0 Plastic	Operating Temperature -20°C ~ +65°C Storage Temperature -20°C ~ +70°C Life Expectancy 60,000 Hours (L10 at 45°C) Installed Options Open Collector Tach Output Available Options 5V TTL Tach Output Weight: 0.14 lbs
Impeller	PBT, UL94 V-0 Plastic	
Connection	3x Lead Wires, 26 AWG	
Motor	Brushless DC, Auto Cutoff, Auto Restart, Polarity Protected, Electronically Protected	
Bearing System	Ball Bearings	
Dielectric Strength	500VDC/min, <1mA	
Insulation Resistance	≥10MΩ @ 500 VDC	



Part Number	Rated Voltage (Volts DC)	Voltage Range (Volts DC)	Input Power (Watts)	Rated Current (Amps)	Rated Speed (RPM)	Max Airflow (CFM)	Noise Level (dBA)	Max Static Pressure ("H ₂ O)
OD6025-12HHB01A	12	8 ~ 13.8	1.8	0.21	4390	32	32	0.24
OD6025-12HB01A	12	8 ~ 13.8	1.8	0.15	3975	25	30	0.22
OD6025-12MB01A	12	8 ~ 13.8	1.5	0.12	3150	17	25	0.16
OD6025-12LB01A	12	8 ~ 13.8	1.0	0.08	2480	14	20	0.14
OD6025-24HHB01A	24	15 ~ 26.4	3.6	0.15	4390	32	32	0.24
OD6025-24HB01A	24	15 ~ 26.4	2.8	0.12	3975	25	30	0.22
OD6025-24MB01A	24	15 ~ 26.4	2.2	0.09	3150	17	25	0.16
OD6025-24LB01A	24	15 ~ 26.4	1.5	0.06	2480	14	20	0.14
OD6025-48HHB01A	48	28 ~ 52.0	3.4	0.10	4390	32	32	0.24
OD6025-48HB01A	48	28 ~ 52.0	3.4	0.07	3975	25	30	0.23

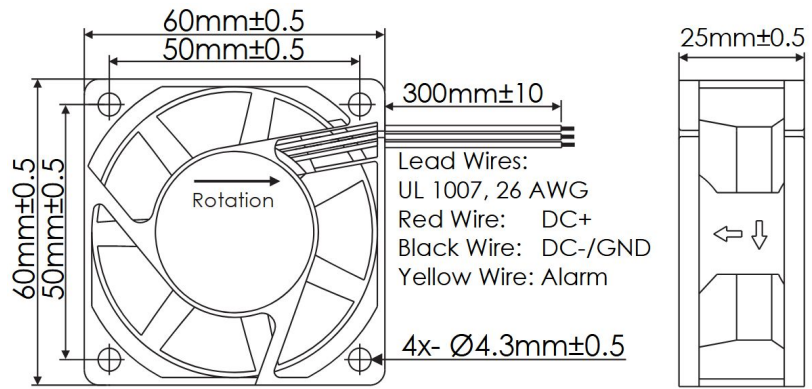


Tach Max Pullup Voltage: Fan Vcc
 Tach Max Sink Current: 8mA
 Tach Cycles per Rotation: 2

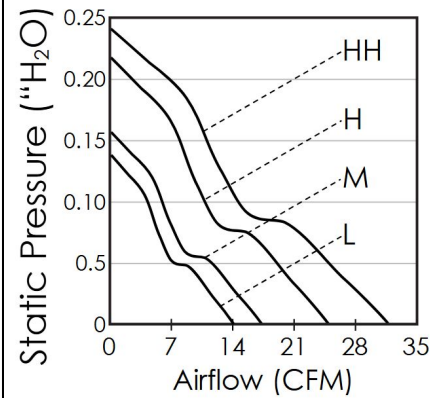
OD6025 Series with Alarm



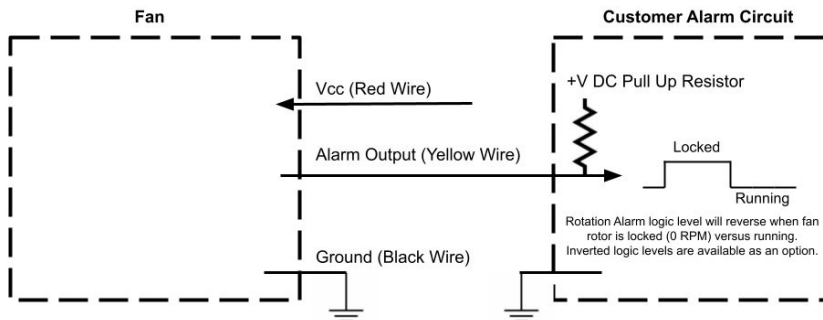
DC Fans - 12, 24, 48V
60mm x 25mm (2.4" x 1.0")



Frame	PBT, UL94 V-0 Plastic	Operating Temperature -20°C ~ +65°C Storage Temperature -20°C ~ +70°C Life Expectancy 60,000 Hours (L10 at 45°C)
Impeller	PBT, UL94 V-0 Plastic	
Connection	3x Lead Wires, 26 AWG	Installed Options Open Collector Alarm Output Available Options Inverted Alarm Logic States 5V TTL Alarm Output
Motor	Brushless DC, Auto Cutoff, Auto Restart, Polarity Protected, Electronically Protected	
Bearing System	Ball Bearings	Weight: 0.14 lbs
Dielectric Strength	500VDC/min, <1mA	
Insulation Resistance	≥10MΩ @ 500 VDC	



Part Number	Rated Voltage (Volts DC)	Voltage Range (Volts DC)	Input Power (Watts)	Rated Current (Amps)	Rated Speed (RPM)	Max Airflow (CFM)	Noise Level (dBA)	Max Static Pressure ("H ₂ O)
OD6025-12HHB02A	12	8 ~ 13.8	1.8	0.21	4390	32	32	0.24
OD6025-12HB02A	12	8 ~ 13.8	1.8	0.15	3975	25	30	0.22
OD6025-12MB02A	12	8 ~ 13.8	1.5	0.12	3150	17	25	0.16
OD6025-12LB02A	12	8 ~ 13.8	1.0	0.08	2480	14	20	0.14
OD6025-24HHB02A	24	15 ~ 26.4	3.6	0.15	4390	32	32	0.24
OD6025-24HB02A	24	15 ~ 26.4	2.8	0.12	3975	25	30	0.22
OD6025-24MB02A	24	15 ~ 26.4	2.2	0.09	3150	17	25	0.16
OD6025-24LB02A	24	15 ~ 26.4	1.5	0.06	2480	14	20	0.14
OD6025-48HHB02A	48	28 ~ 52.0	3.4	0.10	4390	32	32	0.24
OD6025-48HB02A	48	28 ~ 52.0	3.4	0.07	3975	25	30	0.23



Alarm Max Pullup Voltage: Fan Vcc
 Alarm Max Sink Current: 5mA
 Alarm Active Logic State: High