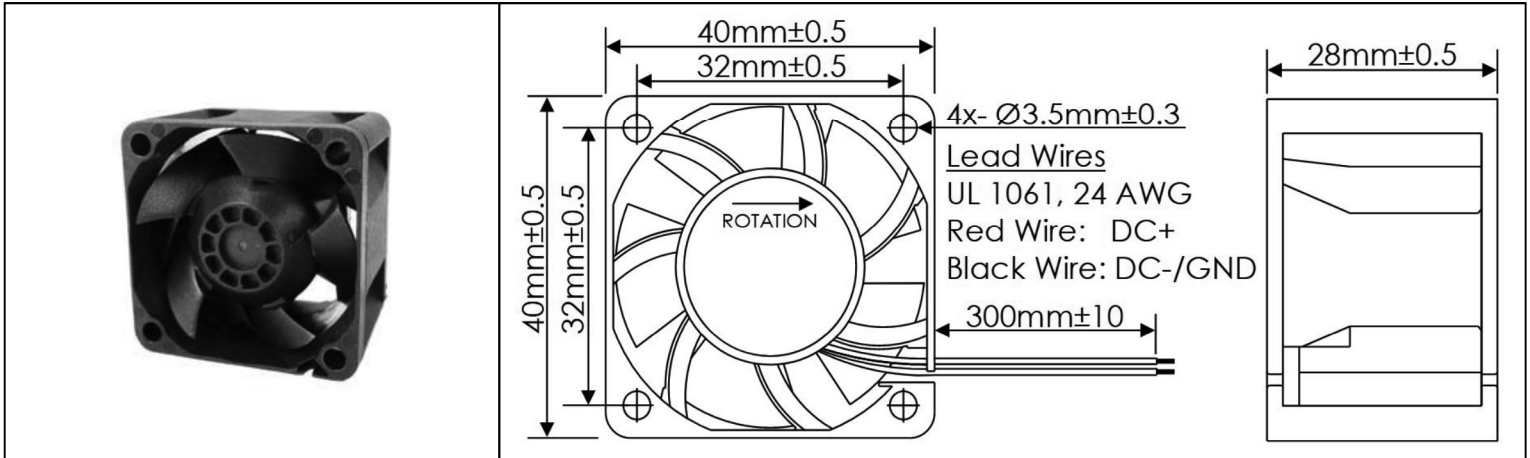


# OD4028 XE Series



DC Fans - 12, 24V  
40mm x 28mm (1.58" x 1.10")



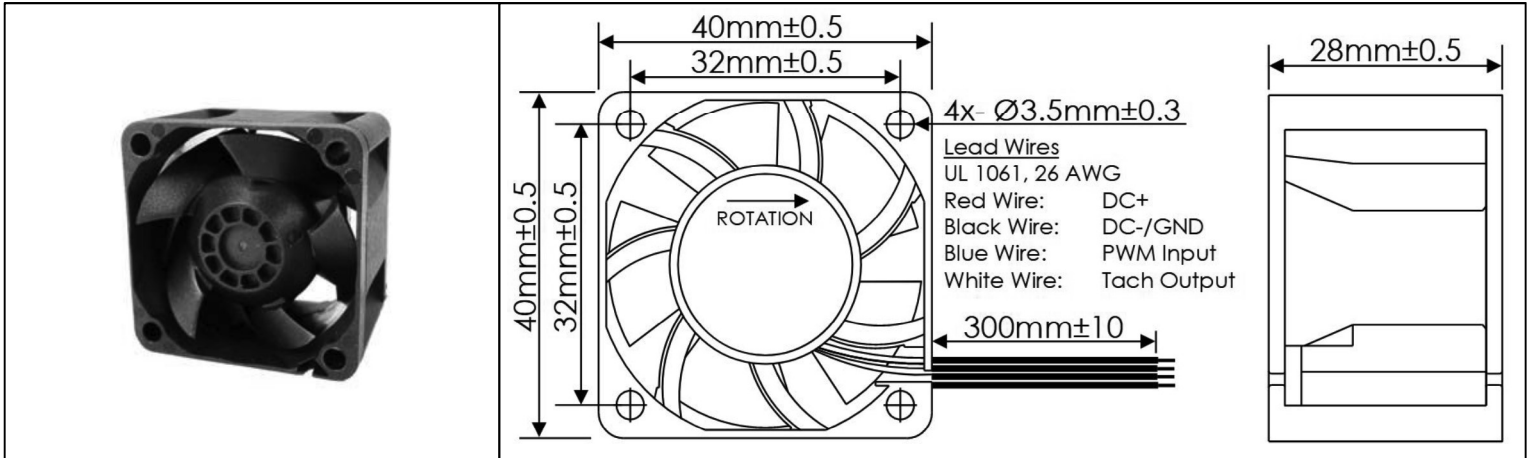
Frame & Impeller	PBT, UL94 V-0 Plastic	<u>Operating Temperature</u> -20°C ~ +65°C	
Connection	2x Lead Wires, 24 AWG	<u>Storage Temperature</u> -20°C ~ +75°C	
Motor	Brushless DC, Auto Cutoff, Auto Restart, Polarity Protected, Electronically Protected	<u>Life Expectancy</u> 70,000 Hours (L10 at 40°C)	
Bearing System	Ball Bearing	<u>Available Options</u> Tachometer Output Alarm Output PWM Speed Control Input Thermal Speed Control 0-10V Speed Control IP Ratings	
Dielectric Strength	500VDC/min, <1mA	Weight: 0.10 lbs	
Insulation Resistance	≥10MΩ @500V DC		

Part Number	Rated Voltage (Volts DC)	Voltage Range (Volts DC)	Input Power (Watts)	Rated Current (Amps)	Rated Speed (RPM)	Max Airflow (CFM)	Noise Level (dBA)	Max Static Pressure (\"H2O)
OD4028-12HBXE	12	8 ~ 13.8	16.8	1.40	22750	31.5	64.2	3.0
OD4028-12MBXE	12	8 ~ 13.8	14.4	1.20	20900	28.6	62.1	2.8
OD4028-24HBXE	24	14 ~ 26	15.6	0.65	22750	31.5	64.2	3.0
OD4028-24MBXE	24	14 ~ 26	9.4	0.39	20900	28.6	62.1	2.8

# OD4028 XE Series with PWM and Tach

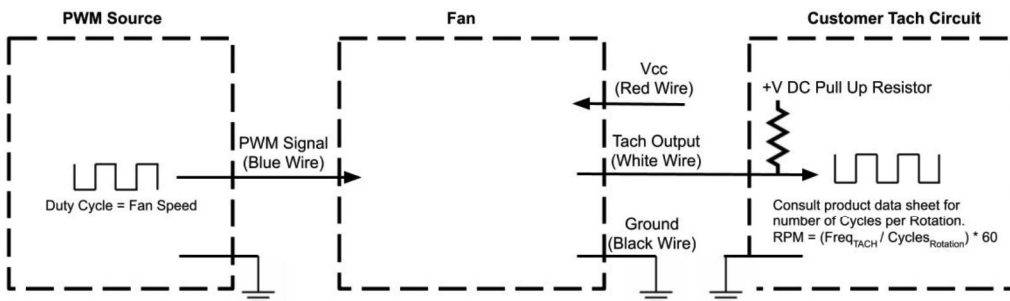


DC Fans - 12, 24V  
40mm x 28mm (1.58" x 1.10")



Frame & Impeller	PBT, UL94 V-0 Plastic	<u>Operating Temperature</u> -20°C ~ +65°C	
Connection	4x Lead Wires, 26 AWG	<u>Storage Temperature</u> -20°C ~ +75°C	
Motor	Brushless DC, Auto Cutoff, Auto Restart, Polarity Protected, Electronically Protected	<u>Life Expectancy</u> 70,000 Hours (L10 at 40°C)	
Bearing System	Ball Bearing	<u>Installed Options</u> PWM Speed Control Input Open Collector Tach Output	
Dielectric Strength	500VDC/min, <1mA	Weight: 0.10 lbs	
Insulation Resistance	≥10MΩ @500V DC		

Part Number	Rated Voltage (Volts DC)	Voltage Range (Volts DC)	Input Power (Watts)	Rated Current (Amps)	Rated Speed (RPM)	Max Airflow (CFM)	Noise Level (dBA)	Max Static Pressure (\"H2O)
OD4028-12HBXE10A	12	8 ~ 13.8	16.8	1.40	22750	31.5	64.2	3.0
OD4028-12MBXE10A	12	8 ~ 13.8	14.4	1.20	20900	28.6	62.1	2.8
OD4028-24HBXE10A	24	14 ~ 26	15.6	0.65	22750	31.5	64.2	3.0
OD4028-24MBXE10A	24	14 ~ 26	9.4	0.39	20900	28.6	62.1	2.8



Tach Max Pullup Voltage: Fan Vcc  
 Tach Max Sink Current: 5mA  
 Tach Cycles per Rotation: 2  
 PWM Maximum High Voltage: 5V  
 PWM Minimum High Voltage: >2.7V  
 PWM Max Sink Current: 5mA  
 PWM Frequency Range: 1KHz-100KHz  
 PWM Typical Frequency: 25KHz  
 RPM at 0% Duty Cycle: 0 RPM  
 RPM will be full speed if PWM input is disconnected.  
 RPM will be 0 RPM if PWM input is grounded.