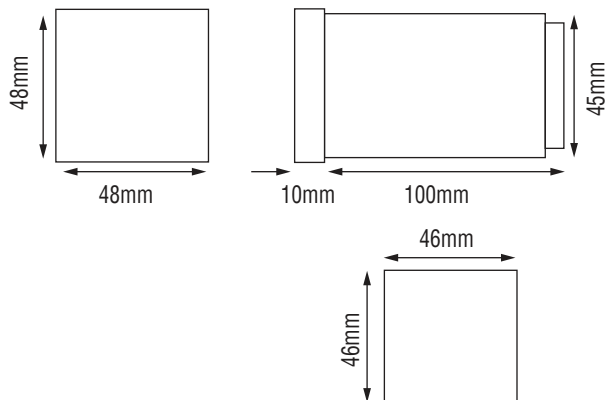




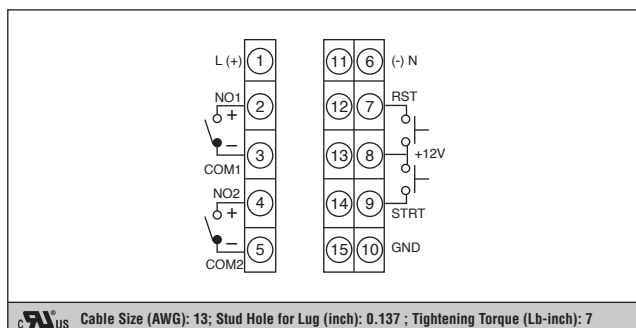
Multifunction, Multi Range Timer Counter

- Dual Display, 4 digit, 7 segment LED
- LED Status Indicator: Relay 1, Relay 2, Seconds, Minutes, Hours
- 2 Setpoints
- Programmable Input Scaling
- Down Counting for Timer, Up/Down Counting for Counter
- Batch Counting

DIMENSIONS (MILLIMETERS)



TERMINAL CONNECTIONS



cULUS Cable Size (AWG): 13; Stud Hole for Lug (inch): 0.137; Tightening Torque (Lb-inch): 7

SPECIFICATIONS

SENSOR TYPE	NPN / PNP
INPUT TYPE	Voltage pulse (3 to 30 V DC) from Proximity switches, Solid state devices, Potential free contact encoder
INPUT SPEED	a) 3Hz, b) 30Hz, c) 5kHz
ACCURACY	Timer: $\pm 0.05\%$ of setting Counter: ± 0 counts
SCALE FACTOR	0.001 to 9.999×10^n $n = -3, -2, -1, 0, 1, 2$
RESET	Front, Remote, Power Interruption
SENSOR SUPPLY	Built-in, 12V DC, 30mA (short circuit protected)
OUTPUT	2 SPST (2 NO)
RELAY RATING	5A @ 230V AC
OPERATING MODES	Timer: ON delay, Interval, Cyclic ON first, Cyclic OFF first, Batch Counter: ON delay, Interval, Auto reset, Time pulse Repeat, Batch
RANGE	Timer: 0-99.99 0-99.59 0-999.9 Counter: -999 to 9999 counts
COUNTING DIRECTION	Timer: Down Counter: Up / down
MEMORY RETENTION	Yes
SUPPLY VOLTAGE	85 to 270V AC/DC (50 / 60Hz)
POWER CONSUMPTION	5VA max
TEMPERATURE/ HUMIDITY (NON-CONDENSING)	Operating: 0 to 50°C Storage: -20 to 75°C, 95% RH
WEIGHT	6 oz.
PROTECTION LEVEL	IP65 for faceplate

ORDERING INFORMATION

PART NO.	SUPPLY VOLTAGE
385AR-100-T5X	85 to 270V AC/DC
	24V AC/DC Model Available: Please Consult Factory