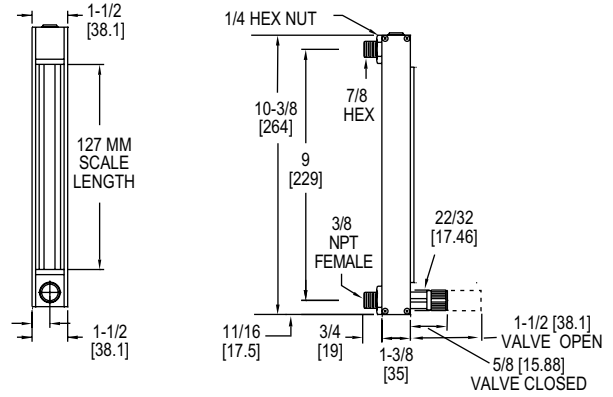


HIGH FLOW GLASS FLOWMETERS

Direct Reading, 127 mm Scale, $\pm 10\%$ Full-Scale Accuracy



Series DR4 High Flow Glass Flowmeters offer a simplified solution to the problem of fluid flow indication at higher capacity levels. Flowmeters have a direct reading scale for air or water and are designed to withstand even the harshest industrial applications. Permanently fused ceramic scale has integral float guides for optimum float performance. Reflective plastic background and 1.5 X magnification lens reduces eye fatigue and allows for more accurate readings. Units include a safety blow-out back panel for additional protection.

MODEL CHART (127 MM SCALE)					
Without Valve		With Valve		Flow Rate (Air)	Flow Rate (H ₂ O)
Brass	SS	Brass	SS	scfm (SLPM)	GPM (LPM)
DR4101	DR4201	DR4141	DR4241	0.2-4 (5-120)	-
DR4103	DR4203	DR4143	DR4243	0.5-11 (20-320)	-
DR4104	DR4204	DR4144	DR4244	1-16 (20-500)	-
DR4106	DR4206	DR4146	DR4246	-	0.1-2 (0.5-8)
DR4108	DR4208	DR4148	DR4248	-	0.2-4 (1-16)
DR4109	DR4209	DR4149	DR4249	-	0.5-5 (1-22)

SPECIFICATIONS
Service: Compatible gases or liquids.
Wetted Materials: Flowtube: Borosilicate glass; Float: 316 SS; Float stops: PTFE; End fittings: Brass or 316 SS; O-rings: Buna-N on brass models and fluoroelastomer on SS models.
Temperature Limits: 250°F (121°C).
Pressure Limits: 200 psig (13.8 bar).
Accuracy: $\pm 10\%$ FS @ 70°F (21.1°C) and 14.7 psia (1 atm absolute).
Repeatability: $\pm 0.25\%$ of scale reading.
Scale: Direct reading 127 mm scales for air or water.
Turn-down Ratio: 10:1.
Connection: 3/8" female NPT.
Mounting: Vertical.
Valve: 6-turn needle (standard on models with valve).

Add suffix "M" for metric scale.