



# Rugged Keypad 6 Pushbutton (CAN). Series 09.

Thank you for your order of the Series 09 Rugged Keypad!

Order numbers

K09-00.000012 (CANOpen), K09-00.000014 (J1939)

**The delivery scope contains**

- |   |  |       |
|---|--|-------|
| 1 | Rugged Keypad 6 pushbuttons<br>CAN with integrated symbol inserts<br>(without symbols) | 1pc   |
| 2 | Retaining clips for 2 mm panel   | 6pc   |
| 3 | Rubber washer 4.8x15x1   | 12pcs |
| 4 | Washers DIN 9021 stainless A2  | 4pcs  |
| 5 | Nuts   | 4pcs  |
| 6 | Coupler  | 1pc   |

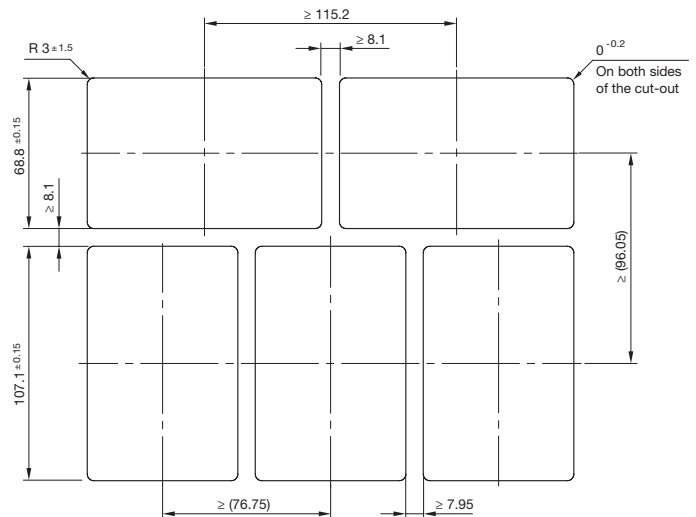
Further information is available at  
[www.eao.com/09-keypads](http://www.eao.com/09-keypads)



**Mounting cut-out**

Mounting cut-out 107.0mm x 69.0mm

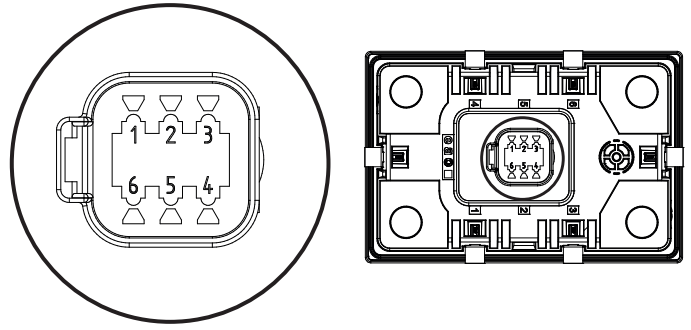
Panel thickness 1.0mm ... 4.0mm



**Connector type**

**Connections 6-DT (DT04-6P)**

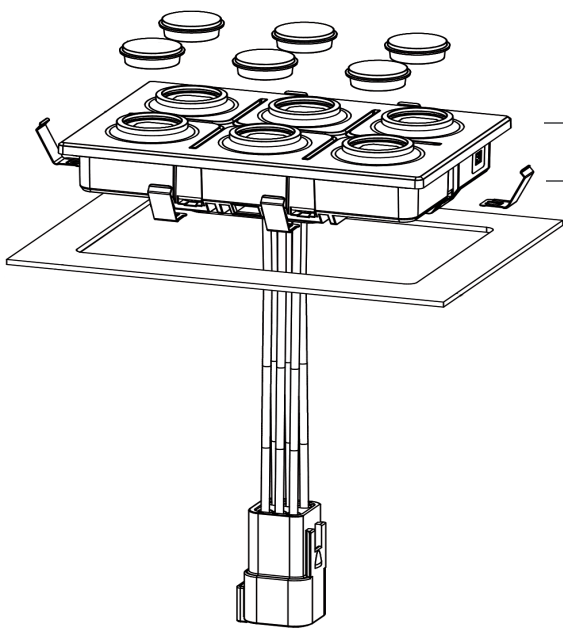
- Mating plug      Deutsch DT06-0S
  - Matching contacts    e.g. 1062-16-0122
  - Matching wedge    W6-S
  - Pin out
- |       |            |
|-------|------------|
| Pin 1 | GND        |
| Pin 2 | CAN High   |
| Pin 3 | WakeUp_Out |
| Pin 4 | WakeUp_In  |
| Pin 5 | CAN Low    |
| Pin 6 | Vcc        |



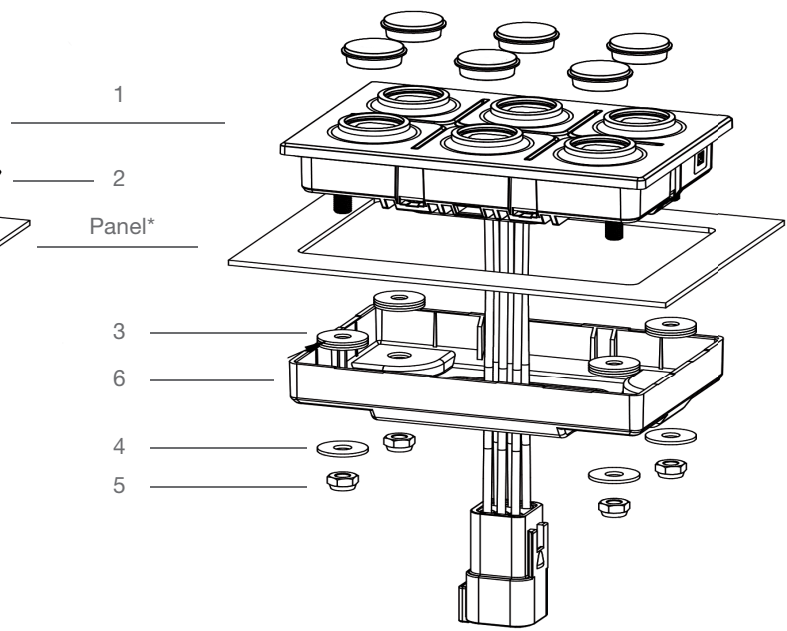
The circuit diagrams can be found in the provided data package.

**Mounting instruction**

**Clip-in version**



**Screw-in version**



\* Customer-specific application.

**Safety notice!**

The Series 09 Rugged Keypad 6 pushbutton (CANopen) can also be used for safety-relevant applications. Thanks to the diagnostic capability through resistance coding (Namur Circuit as optional option), cable breaks and switching states can be detected.

The customer must ensure the functional and product safety conformity of the integration of the keypad. Therefore, the customer must perform all security activities at the integration level of the switch and confirm that all relevant functions are implemented to ensure that the application handles critical issues in a secure manner.