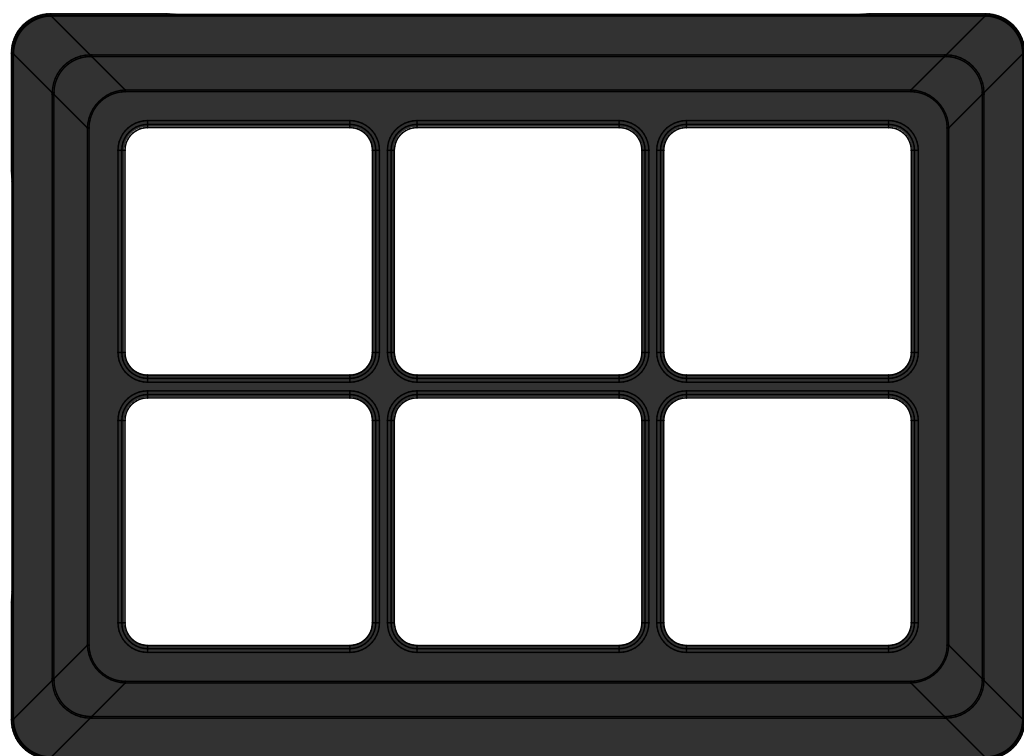

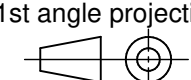


# S09 PROTECTIVE SHROUD FOR S09 RUGGED KEYPAD 6PB

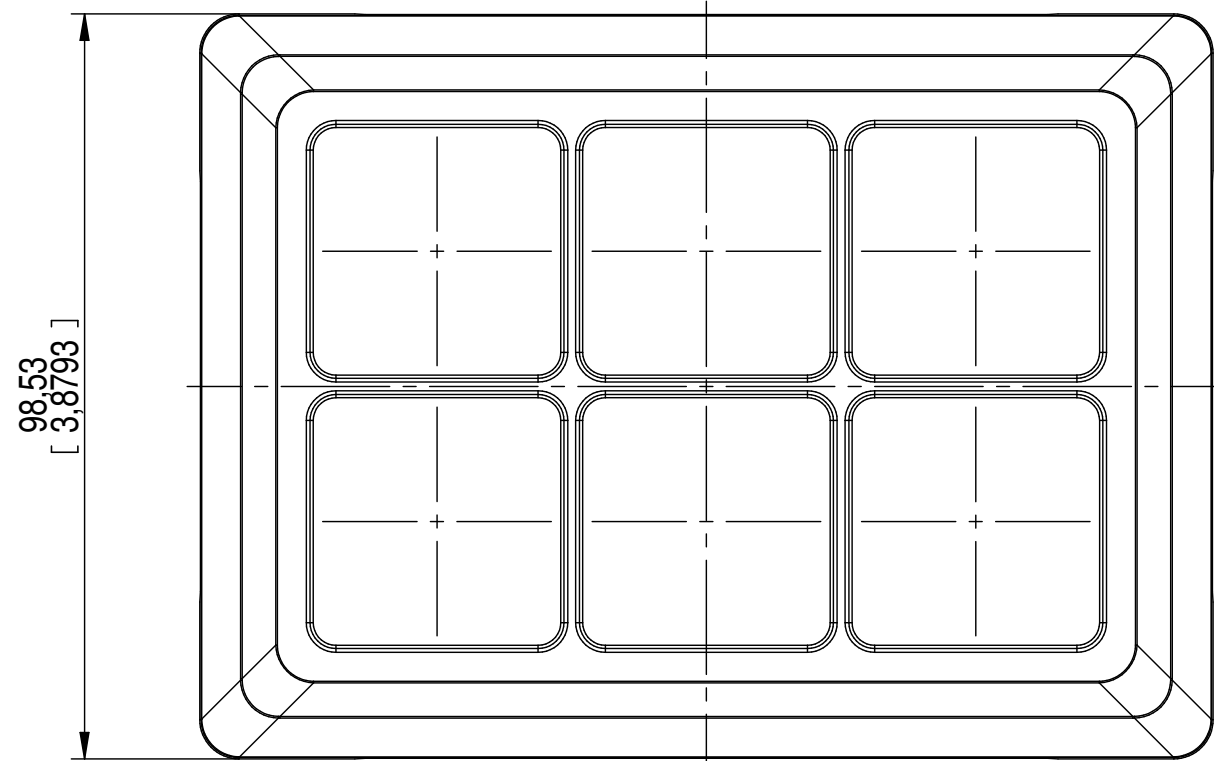
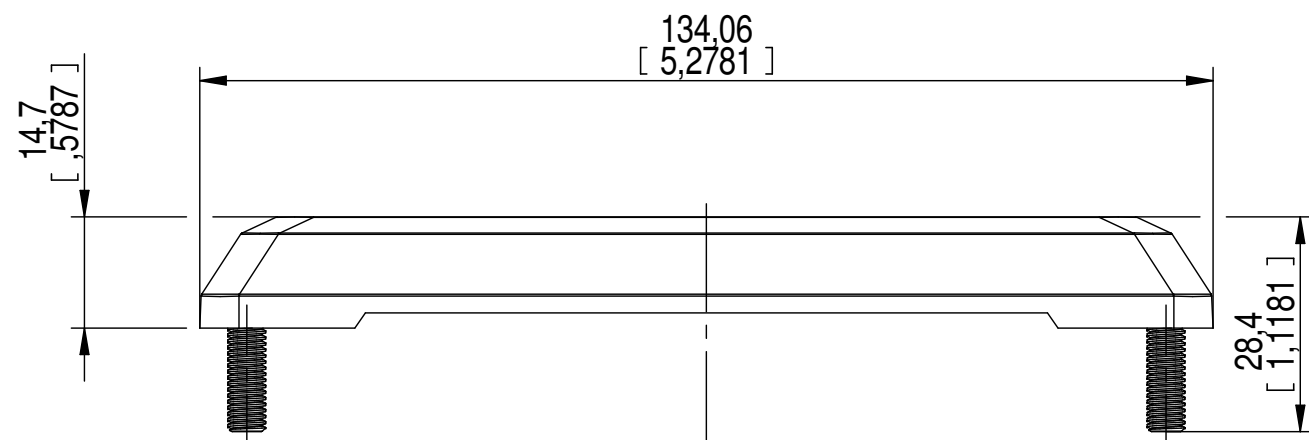


rev.	zone	date	description	RP-no.
01	-	05.05.2022	initial edition	001186
02	-	07.06.2023	update view; added sheet 5	001192

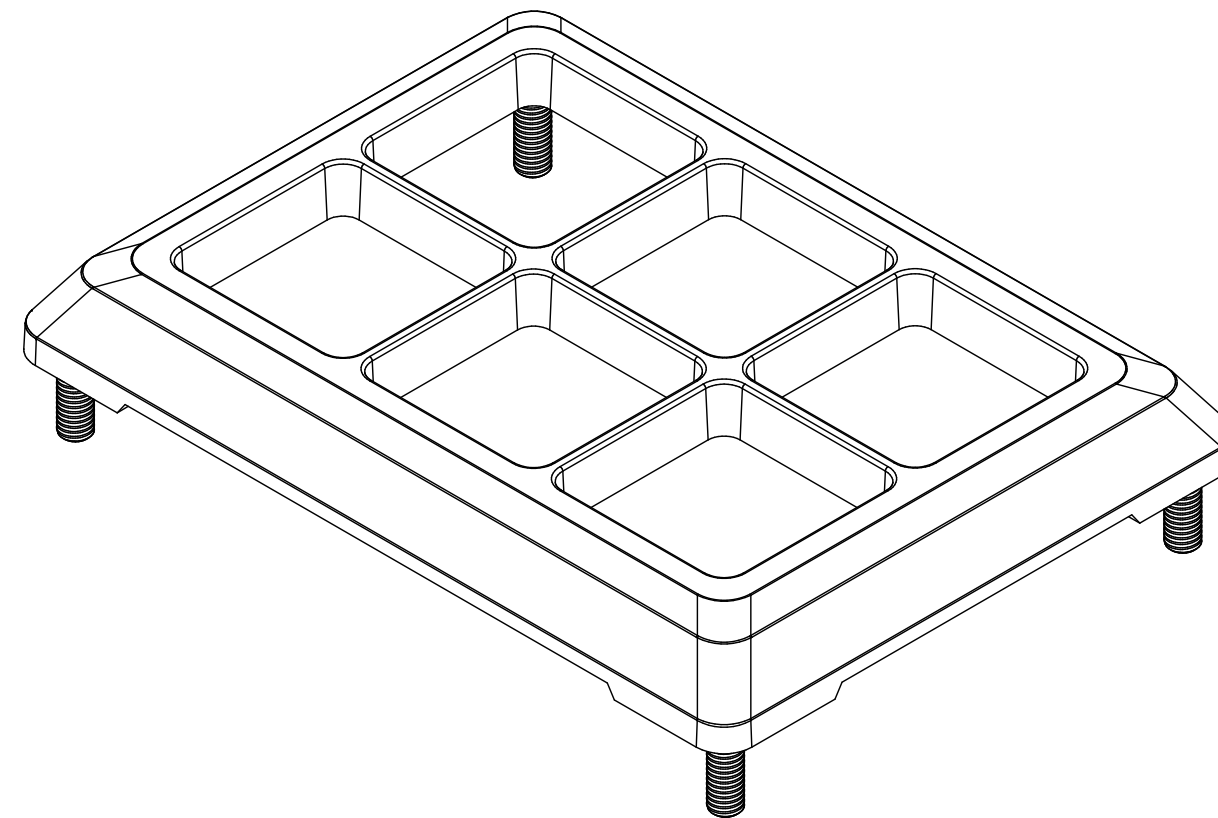
- sheet 1: cover
- sheet 2: product dimensions
- sheet 3: mounting specifications - panel cutout
- sheet 4: mounting specifications - assembly
- sheet 5: product labeling

This drawing is a controlled document for EAO Automotive GmbH & Co. KG. It is subject to change. For the latest revision please ask the responsible EAO sales company.										
description S09 Protective Shroud for S09 Rugged Keypad 6PB							drawing no. 2201940002		revision 02	
 EAO Automotive GmbH & Co. KG Richard-Wagner-Straße 3 08209 Auerbach GERMANY			scale 1:1	format A 3	weight see BOM	document type product information		status only for information		
1st angle projection 			all dimensions are in millimeters [inches]				date 07.06.2023	name GET	sheet no. 1/5	
							drawn	approved	08.06.2023	SCR

# product dimensions



rev.	zone	date	description	RP-no.
01	-	05.05.2022	initial edition	001186
02	-	07.06.2023	update view; added sheet 5	001192



ISO  
1:1

further applivable 3D-dataset:  
D2201300501\_07.stp

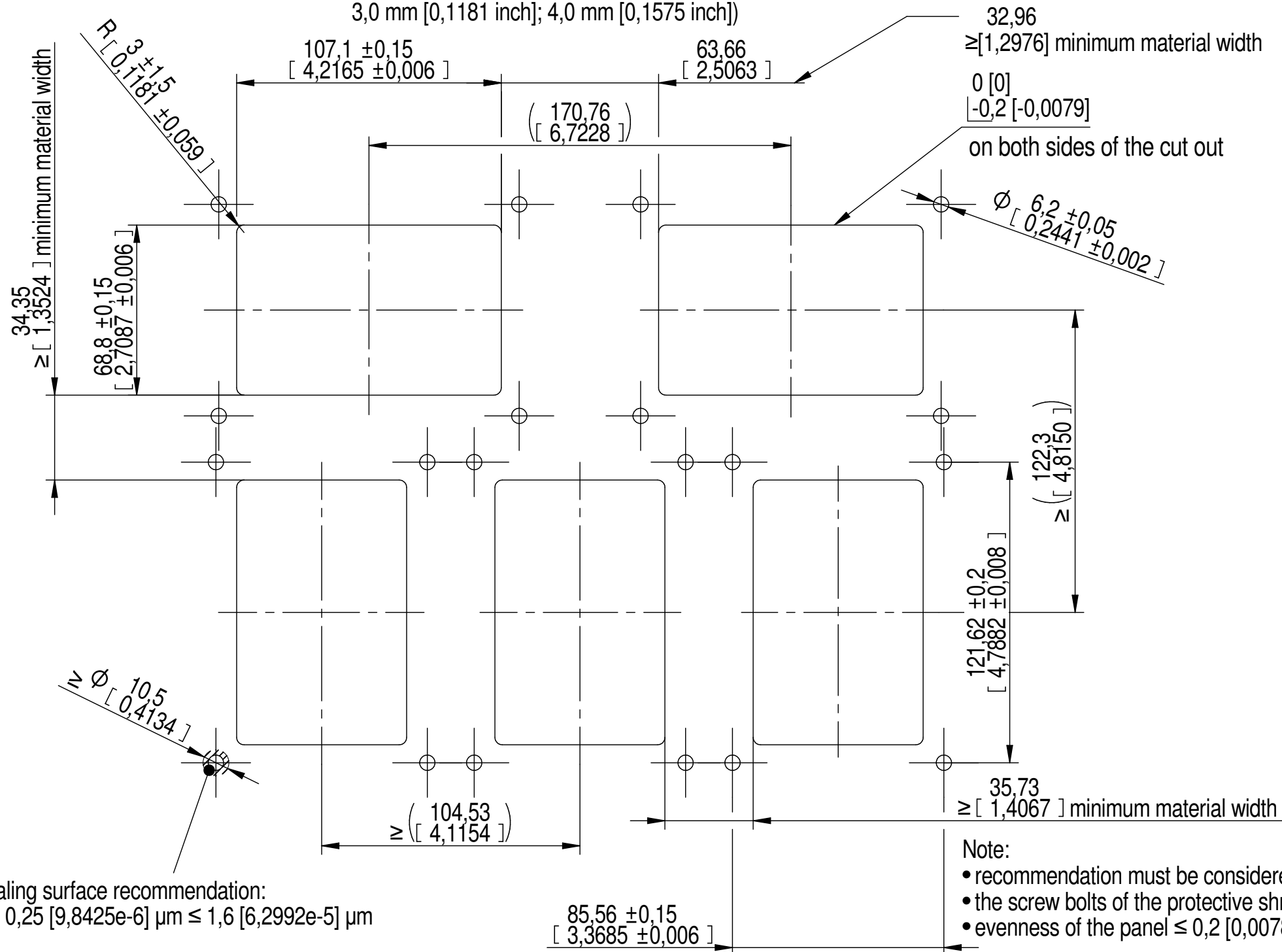
This drawing is a controlled document for EAO Automotive GmbH & Co. KG. It is subject to change. For the latest revision please ask the responsible EAO sales company.

description <b>S09 Protective Shroud for S09 Rugged Keypad 6PB</b>				drawing no. 2201940002	revision 02
<b>eao</b> EAO Automotive GmbH & Co. KG Richard-Wagner-Straße 3 08209 Auerbach GERMANY	scale 1:1	format A 3	weight see BOM	document type product information	status only for information
	1st angle projection 			all dimensions are in millimeters [inches]	
approved			08.06.2023	SCR	

# mounting specifications - panel cutout

rev.	zone	date	description	RP-no.
01	-	05.05.2022	initial edition	001186
02	-	07.06.2023	update view; added sheet 5	001192

Panel cutout  
 (panel thickness  $\geq 1,0$  mm [0,0394 inch]; 2,0 mm [0,0787 inch];  
 3,0 mm [0,1181 inch]; 4,0 mm [0,1575 inch])



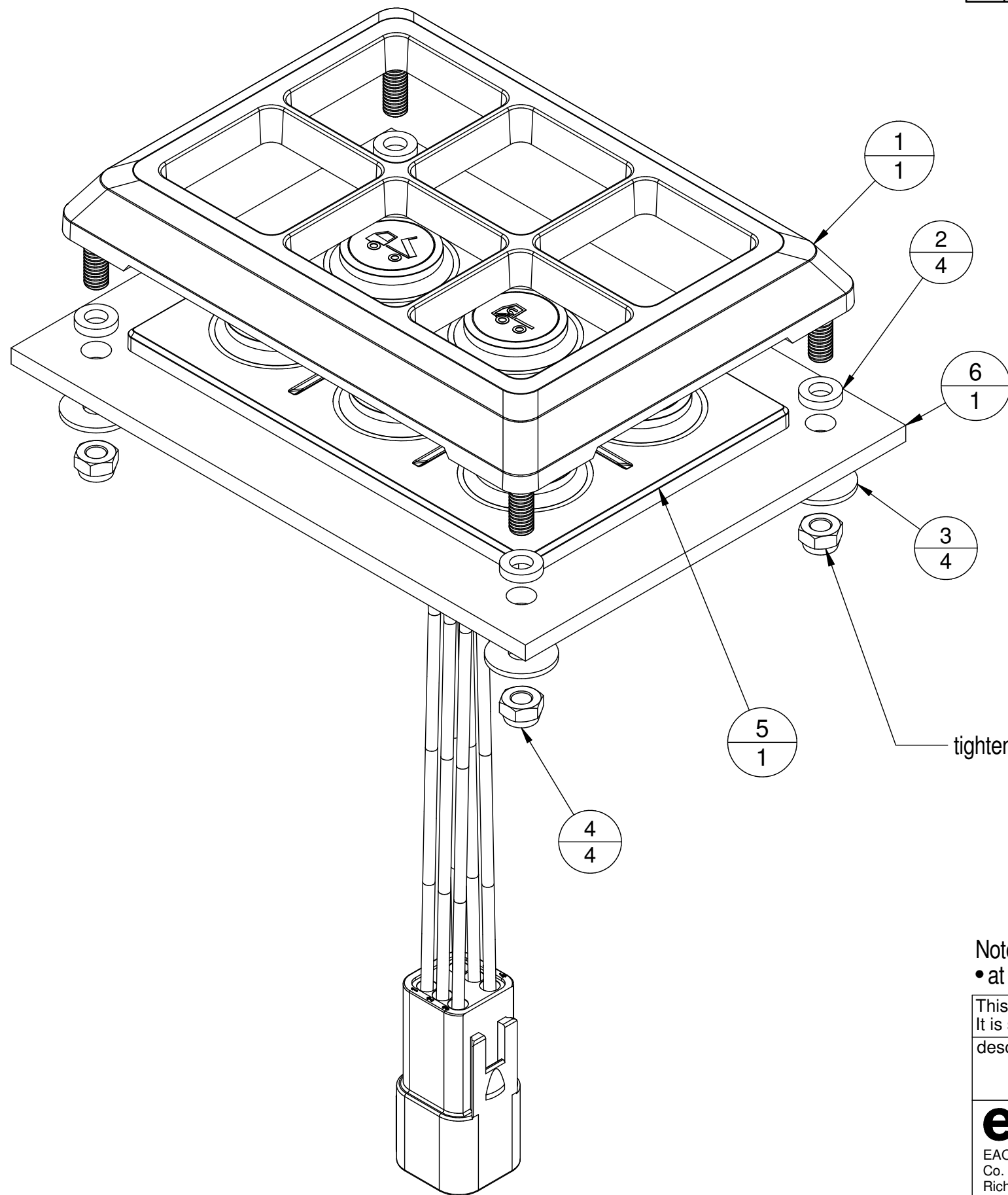
Note:  
 • recommendation must be considered individually  
 • the screw bolts of the protective shroud should be positioned concentrically to the hole  
 • evenness of the panel  $\leq 0,2$  [0,0078]

This drawing is a controlled document for EAO Automotive GmbH & Co. KG. It is subject to change. For the latest revision please ask the responsible EAO sales company.

description			drawing no.	revision		
S09 Protective Shroud for S09 Rugged Keypad 6PB			2201940002	02		
<b>eao</b> EAO Automotive GmbH & Co. KG Richard-Wagner-Straße 3 08209 Auerbach GERMANY	scale	format	weight	document type	status	
	1:2	A 3	see BOM	product information		only for information
1st angle projection		all dimensions are in millimeters [inches]		date	name	sheet no.
				drawn	07.06.2023	GET
				approved	08.06.2023	SCR

# mounting specifications - assembly

rev.	zone	date	description	RP-no.
01	-	05.05.2022	initial edition	001186
02	-	07.06.2023	update view; added sheet 5	001192



bill of material			
pos.	description	comment	quantity
1	S09 Protective Shroud for S09 Rugged Keypad 6PB		1
2	sealing		4
3	washer	DIN 9021 stainless A2	4
4	nut	DIN 985 similar ISO 10511, ISO 10512 M5 self-locking stainless A4	4
5	S09 Rugged Keypad 6PB		1
6	panel *		1

mass calculated (pos.1 to 4): ~93 g  
\* not included

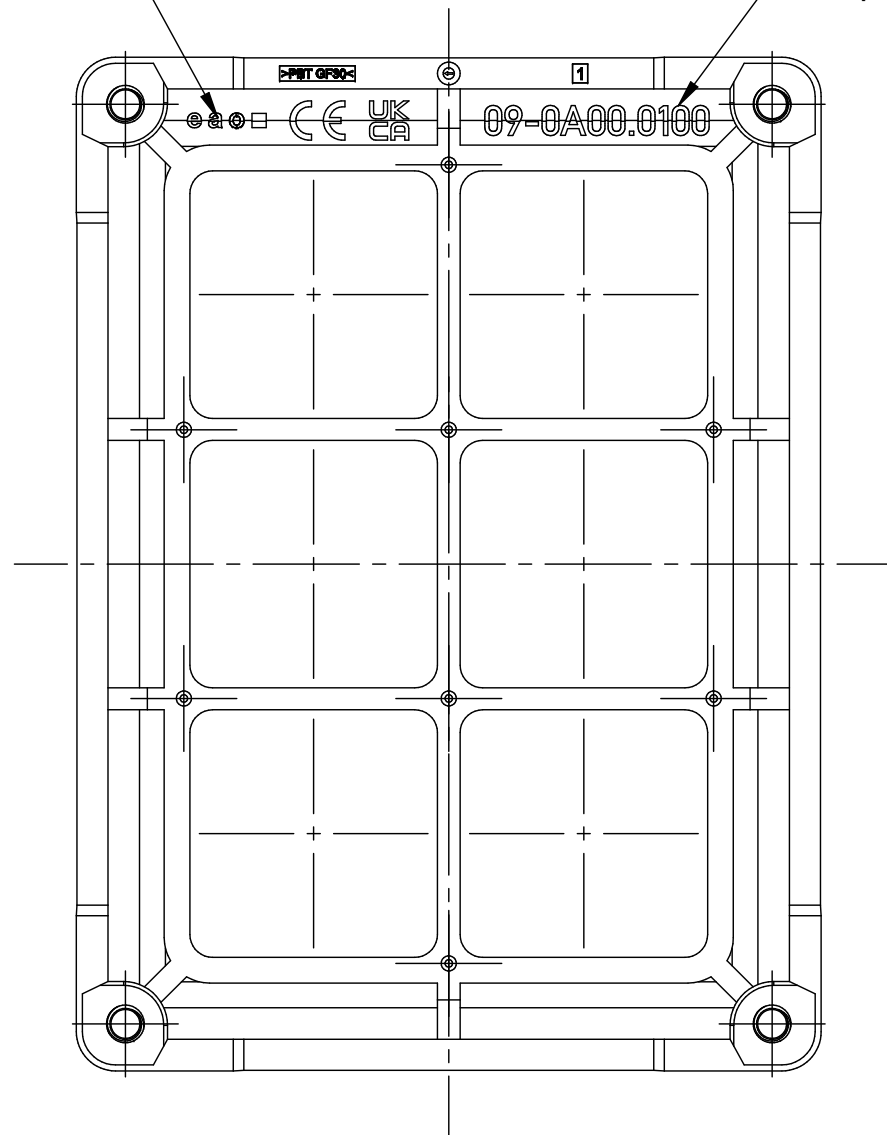
tightening torque: ~2,2 Nm

Note:  
• at first mount the Rugged Keypad 6PB and after that the protective shroud

This drawing is a controlled document for EAO Automotive GmbH & Co. KG. It is subject to change. For the latest revision please ask the responsible EAO sales company.				
description <b>S09 Protective Shroud for S09 Rugged Keypad 6PB</b>			drawing no. 2201940002	revision 02
<b>eao</b> EAO Automotive GmbH & Co. KG Richard-Wagner-Straße 3 08209 Auerbach GERMANY	scale 1:1	format A 3	weight see BOM	document type product information
	1st angle projection		status only for information	
all dimensions are in millimeters [inches]		date 07.06.2023	name GET	sheet no. 4/5
		approved 08.06.2023		

# product labeling

manufacturer part number



rev.	zone	date	description	RP-no.
01	-	05.05.2022	initial edition	001186
02	-	07.06.2023	update view; added sheet 5	001192

This drawing is a controlled document for EAO Automotive GmbH & Co. KG. It is subject to change. For the latest revision please ask the responsible EAO sales company.										
description						drawing no.		revision		
S09 Protective Shroud for S09 Rugged Keypad 6PB						2201940002		02		
 EAO Automotive GmbH & Co. KG Richard-Wagner-Straße 3 08209 Auerbach GERMANY			scale		format	weight		document type		
			1:1		A 3	see BOM		product information		status
1st angle projection 			all dimensions are in millimeters [inches]				date		name	sheet no.
			drawn		07.06.2023		GET		5/5	
			approved		08.06.2023		SCR			