








# Directional DAS Series 2xMiMo 4G/5G Antenna

Part number: PD617-6000M243



## Features & Applications:

-  4G / 5G-FR1 617-6000MHz
-  2-Port MiMo
-  In-building wall mount
-  Directional radiation pattern
-  Low PIM and SAR compliant
-  Connector 4.3-10-Female as standard
-  For N-Female connector use P/N: PD617-6000M2NF

## ELECTRICAL SPECIFICATIONS

### PD617-6000M243

Frequency range	MHz	617-698	698-960	1710-2700	3300-4000	4900-6000	
Gain	dBi	5.5±1	6.0±1	7.0±1	6.0±1	6.5±1	
Polarization		±45deg cross					
Beam width	Horizontal	deg	80	70	68	55	50
	Vertical		70	70	68	50	50
VSWR		≤1.8	≤1.8	≤1.8	≤1.8	≤1.8	
Front-to-back ratio	dB	10	10	10	10	10	
PIM,3rd order,2x20W	dBc	-	≤-153			N/A	
Max. input power	W	50					
Impedance	Ohm	50					
SAR compliance		Compliant based on whole-body SAR limit RF Exposure calculation (CEI EN 50383)					

## MECHANICAL SPECIFICATIONS

### PD617-6000M243

Dimension (W x L x H)		Housing Material	Color	Weight with mounting kit	Mounting Kit	
422 x 308 x 100 mm (16.61 x 12.13 x 3.94 inch)		ABS, UV Protected	White RAL9003	2.0kg (4.41lbs)	Wall mount (standard)	
Wireless Technology	No. of Port	Cable Length	Cable Type		Connector Type	
4G,5G FR1	2	1Ft (0.3m)	Ø 0.160" low loss		4.3-10-Female	

## ENVIRONMENTAL SPECIFICATIONS

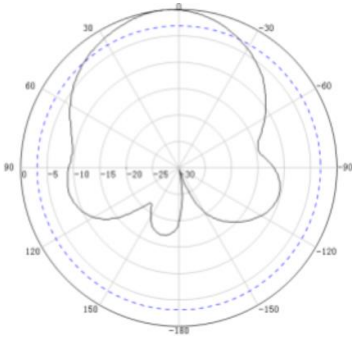
### PD617-6000M243

Operating Temperature	Storage Temperature	RoHS Compliant	Ingress Protection	Warranty
-55 / +60° C	-55 / +60° C	Yes	IP50	2 years

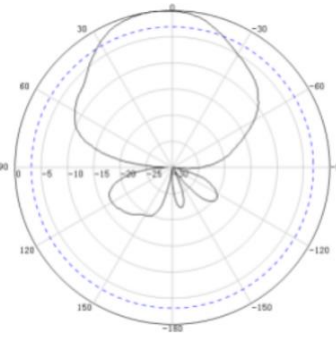
Radiation Pattern –Vertical and Horizontal Plane

PD617-6000M243

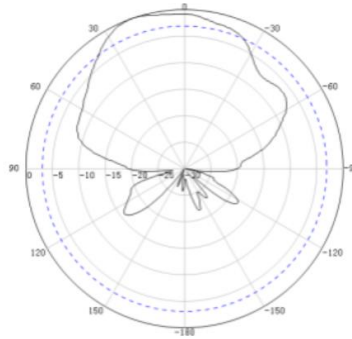
Vertical



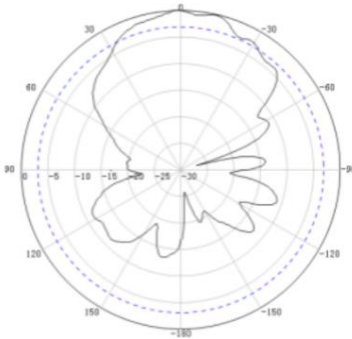
806MHz



1920MHz

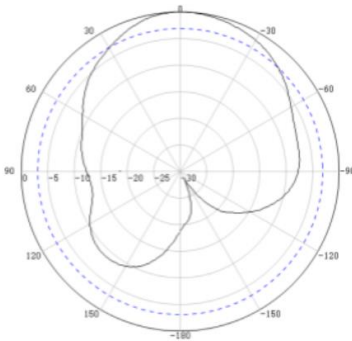


3500MHz

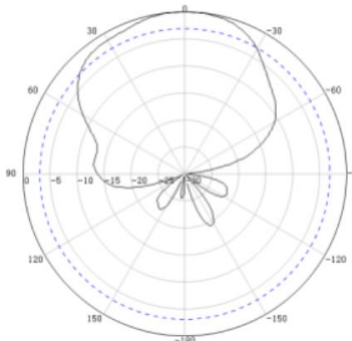


5450MHz

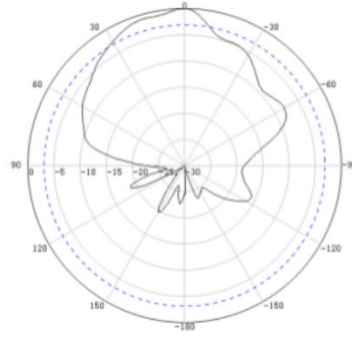
Horizontal



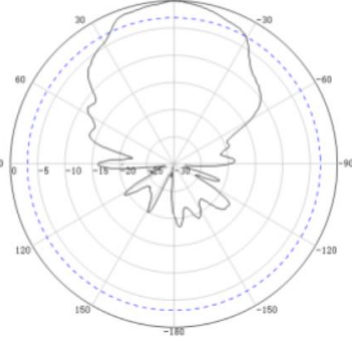
806MHz



1920MHz



3500MHz



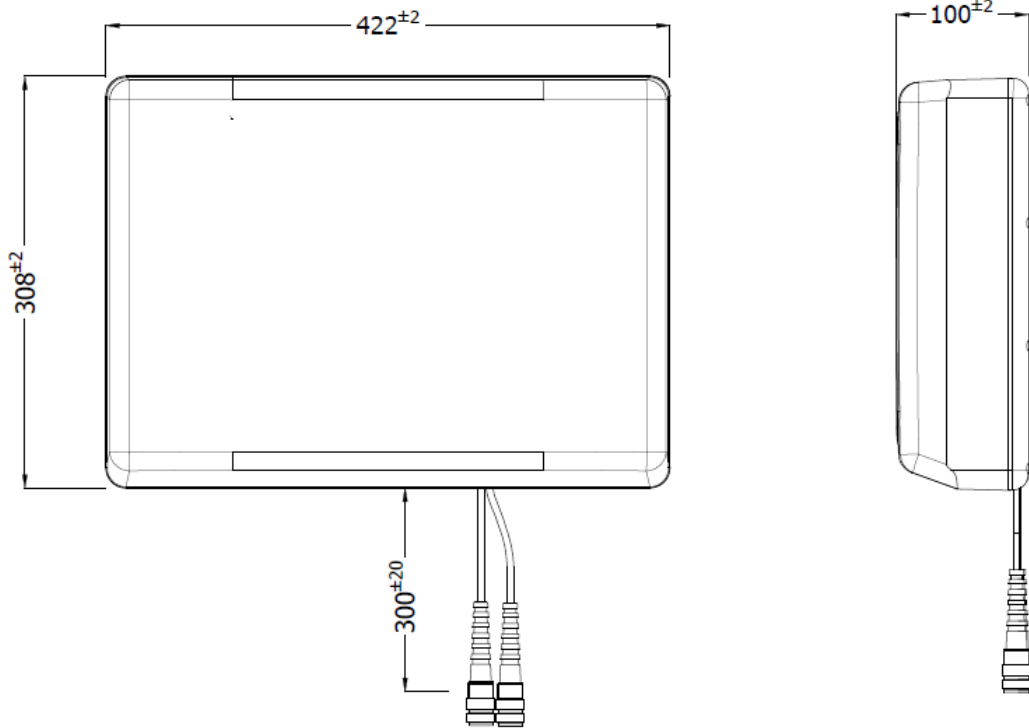
5450MHz

# Directional DAS Series 2xMiMo 4G/5G Antenna

Part number: PD617-6000M243

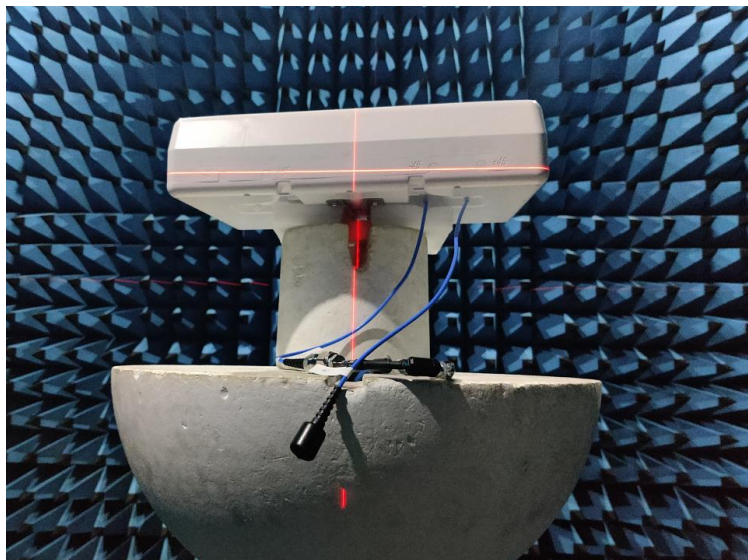
## Mechanical Drawing

PD617-6000M243



## Test Setup

General / Chamber Setup



# Directional DAS Series 2xMiMo 4G/5G Antenna

Part number: PD617-6000M243

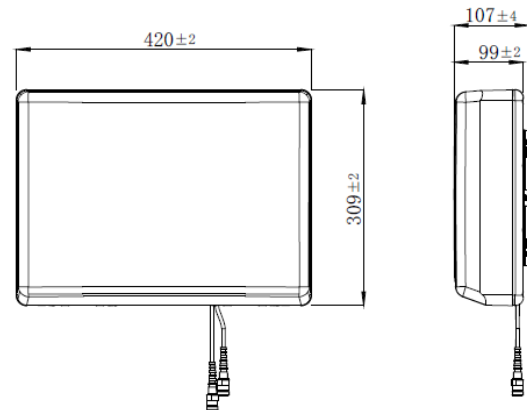
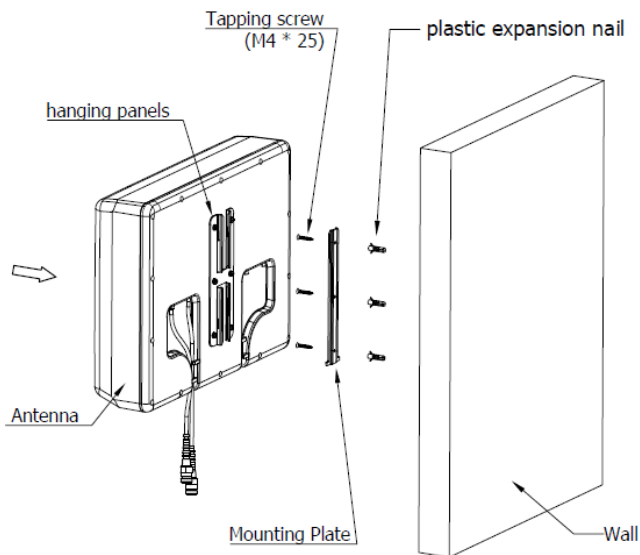
## PACKAGING

### PD617-6000M243

1. Inner box: 475\*415\*155mm;
2. Outer box size: 815\*485\*450mm;
3. 5Pcs/Carton;

## Installation instructions

### PD617-6000M243



- ① Make four (M6\*25) holes in the wall.
- ② Put the plastic expansion nail into the hole.
- ③ Attach the mounting plate to the wall with self-tapping screws (M4 \* 25) and tighten.
- ④ Buckle the antenna back plate onto the wall mounting plate.

### Notes:

1. Please contact sales for availability, lead time, and/or any special requests. Samples available upon request.

### For More Information:

Americas - [antennas.us@pulseelectronics.com](mailto:antennas.us@pulseelectronics.com) | Europe - [antennas.eu@pulseelectronics.com](mailto:antennas.eu@pulseelectronics.com) | Asia - [antennas.as@pulseelectronics.com](mailto:antennas.as@pulseelectronics.com) | Questions? +1-800-ANTENNA  
Performance warranty of products offered on this data sheet is limited to the parameters specified. Data is subject to change without notice. Other brand and product names mentioned herein may be trademarks or registered trademarks of their respective owners. © Copyright , 2020. Pulse Electronics, Inc. All rights reserved.  
Company address: Pulse Electronics, a YAGEO Company, 15255 Innovation Drive, Suite #100, San Diego, CA 92128