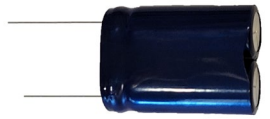


Series-Connected Supercapacitor Module, 6.0V



ADCM-S06R0S

Request Samples



Check Inventory



Various Sizes

RoHS/RoHS II Compliant

MSL Level = 1

Features

- Assembled Type Supercapacitor
- Series connected 2-Cell configuration.
- No balancing required.
- High power density
- Minimal discharge rate, 72 hours @ discharge < 20%
- Excellent cycle life
- Green, meet RoHS requirements.

Applications

- Power Assist Circuits
- Power Backup
- Micro Energy Storage
- IoT Energy Harvesting
- SSD applications
- DDR power back up
- RTC System power transfer to battery backup

Electrical Specifications

| Part Number | Nominal Voltage (U _R) | Capacitance | Tol. | ESR (Max) | Nominal Current | Peak Current (Max) | Leakage Current (Max) | Stored Energy (Max) | Gravimetric Energy Density | Gravimetric Power Density |
|-------------------|-----------------------------------|-------------|---------|-----------|-----------------|--------------------|-----------------------|---------------------|----------------------------|---------------------------|
| ADCM-S06R0S | DC(V) | Farads | ±% | Ω | A | A | uA | mWh | Wh/kg | Wh/L |
| ADCM-S06R0SA104PB | 6.0 | 0.1 | 0/+100 | 6.00 | 0.054 | 0.188 | 3 | 0.50 | 0.63 | 1.88 |
| ADCM-S06R0SA224XB | 6.0 | 0.22 | 0/+50 | 2.20 | 0.12 | 0.44 | 4 | 1.10 | 0.91 | 3.38 |
| ADCM-S06R0SA334WB | 6.0 | 0.33 | 0/+40 | 1.65 | 0.18 | 0.64 | 4 | 1.65 | 0.80 | 2.65 |
| ADCM-S06R0SA474WB | 6.0 | 0.47 | 0/+40 | 0.900 | 0.26 | 0.99 | 5 | 2.35 | 1.12 | 4.76 |
| ADCM-S06R0SA105RB | 6.0 | 1 | 0/+30 | 0.720 | 0.52 | 1.74 | 8 | 5.00 | 1.82 | 4.56 |
| ADCM-S06R0SA155RB | 6.0 | 1.5 | 0/+40 | 0.420 | 0.80 | 2.76 | 14 | 7.50 | 2.25 | 6.42 |
| ADCM-S06R0SA205RB | 6.0 | 2 | 0/+30 | 0.320 | 1.06 | 3.66 | 10 | 10.00 | 2.86 | 8.04 |
| ADCM-S06R0SA305RB | 6.0 | 3 | 0/+30 | 0.230 | 1.58 | 5.33 | 16 | 15.00 | 3.11 | 8.10 |
| ADCM-S06R0SA505QB | 6.0 | 5 | -10/+20 | 0.180 | 2.54 | 7.89 | 30 | 25.00 | 4.19 | 8.39 |
| ADCM-S06R0SA605RB | 6.0 | 6 | 0/+30 | 0.140 | 3.08 | 9.78 | 36 | 30.00 | 4.13 | 8.85 |
| ADCM-S06R0SA106RB | 6.0 | 10 | 0/+30 | 0.090 | 5.08 | 15.79 | 60 | 50.00 | 4.10 | 8.20 |
| ADCM-S06R0SA126RB | 6.0 | 12 | 0/+30 | 0.090 | 5.92 | 17.31 | 80 | 60.00 | 3.85 | 6.41 |

Operating Temperature: -40°C to +65°C

Storage Temperature: -40°C to +65°C, RH<60%, Max. Humidity <85% RH

Test Conditions:

All parameters are measured according to the IEC 62391-1 standard.

Ambient Temperature: +25°C

Capacitance: measured with $I(mA) = 4(C * U_R)$.

ESR: Measured at 1KHz.

Nominal Current: 5 Seconds to discharge from U_R to 1/2U_R.

Peak Current (Max.): 1 second to discharge to U_R to 1/2U_R.

Leakage Current: Measured after 72h at U_R.

Life Cycles: 500,000 cycles with less than 30% change in capacitance.

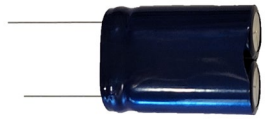


5101 Hidden Creek Ln, Spicewood TX 78669
 Phone: 512-371-6159 Fax: 512-351-8858
 For terms and conditions of sales, please visit:
www.abracon.com

REVISION Initial Release :
 9/25/2023

ABRACON IS
 ISO9001-2015
 CERTIFIED

Series-Connected Supercapacitor Module, 6.0V



ADCM-S06R0S

Request Samples



Check Inventory

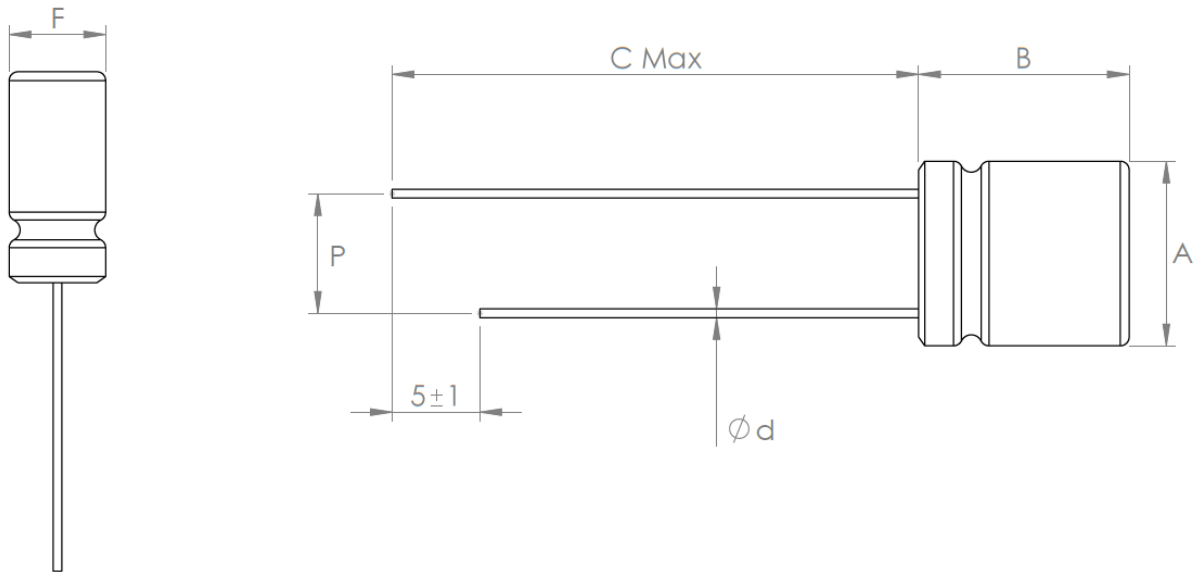


Various Sizes

RoHS/RoHS II Compliant

MSL Level = 1

Mechanical Specifications



| ABRACON PART# | SIZE (A x F x B) ±1 | Pin Spacing P | Pin Length C (MAX) | Pin Diameter Ød |
|-------------------|------------------------|------------------|-----------------------|--------------------|
| ADCM-S06R0SA104PB | 10.5 x 5.5 x 12 | 6.8 ±0.5 | 30 | 0.5 ±0.05 |
| ADCM-S06R0SA474WB | 18.1 x 9.6 x 18 | 11.5 ±0.5 | 30 | 0.6 ±0.1 |
| ADCM-S06R0SA105RB | 16.5 x 8.5 x 15 | 12.0 ±0.5 | 30 | 0.6 ±0.1 |
| ADCM-S06R0SA155RB | 16.5 x 8.5 x 22 | 12.0 ±0.5 | 30 | 0.6 ±0.1 |
| ADCM-S06R0SA205RB | 20.5 x 10.5 x 19 | 15.3 ±0.5 | 30 | 0.6 ±0.1 |
| ADCM-S06R0SA505QB | 20.5 x 10.5 x 27 | 15.3 ±0.5 | 30 | 0.6 ±0.1 |
| ADCM-S06R0SA605RB | 20.5 x 10.5 x 33.5 | 15.3 ±0.5 | 30 | 0.6 ±0.1 |
| ADCM-S06R0SA106RB | 25.5 x 13 x 36 | 17.8 ±0.5 | 30 | 0.6 ±0.1 |
| ADCM-S06R0SA224XB | 13.5 x 7.5 x 15 | 9.0 ±0.5 | 30 | 0.5 ±0.05 |
| ADCM-S06R0SA334WB | 16.5 x 8.5 x 15 | 12.0 ±0.5 | 30 | 0.6 ±0.1 |
| ADCM-S06R0SA305RB | 20.5 x 10.5 x 22 | 15.3 ±0.5 | 30 | 0.6 ±0.1 |
| ADCM-S06R0SA126RB | 32.5 x 16.5 x 28 | 24.0 ±0.5 | 30 | 0.8 ±0.05 |

Dimensions: mm

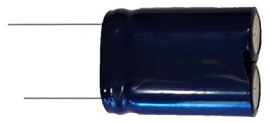


5101 Hidden Creek Ln, Spicewood TX 78669
 Phone: 512-371-6159 Fax: 512-351-8858
 For terms and conditions of sales, please visit:
www.abracon.com

REVISION Initial Release :
 9/25/2023

ABRACON IS
 ISO9001-2015
 CERTIFIED

Series-Connected Supercapacitor Module, 6.0V



ADCM-S06R0S

Request Samples



Check Inventory

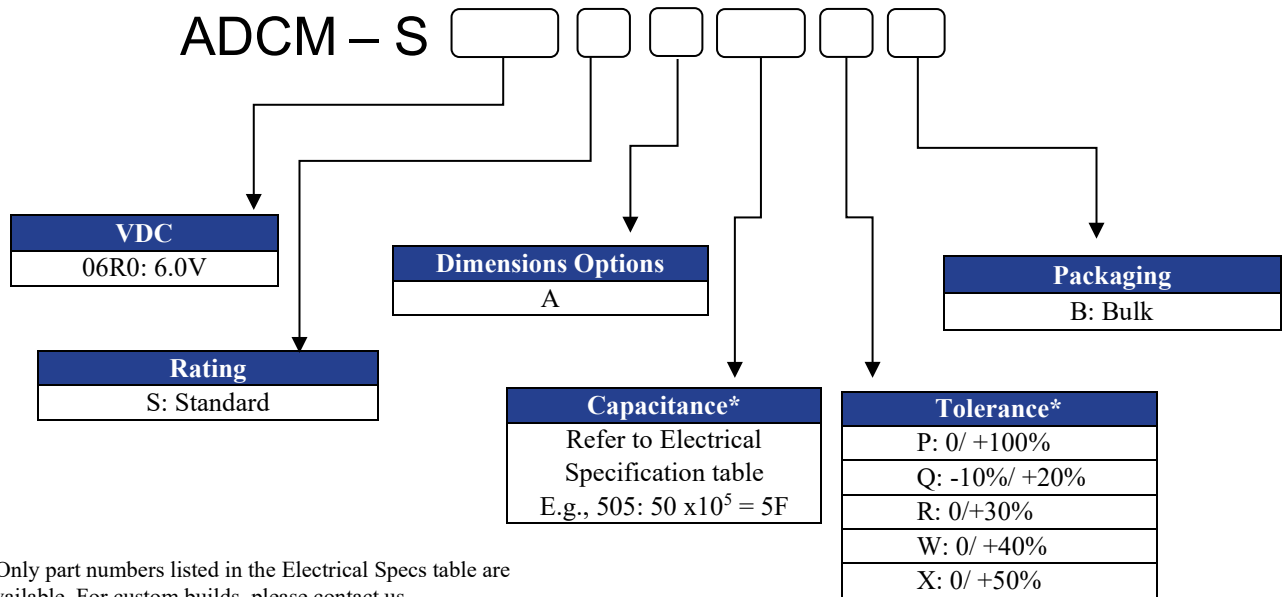


Various Sizes

RoHS/RoHS II Compliant

MSL Level = 1

Part Number Identification



Part Marking



Example of the Markings of a 6.0V 10F supercapacitor

Capacitance (F)

Rated Voltage (V)

Polarity (negative bar indicator on the sleeve to indicate the cathode).

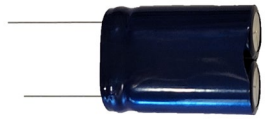


5101 Hidden Creek Ln, Spicewood TX 78669
 Phone: 512-371-6159 Fax: 512-351-8858
 For terms and conditions of sales, please visit:
www.abracon.com

REVISION Initial Release :
 9/25/2023

ABRACON IS
 ISO9001-2015
 CERTIFIED

Series-Connected Supercapacitor Module, 6.0V



ADCM-S06R0S

Request Samples



Check Inventory

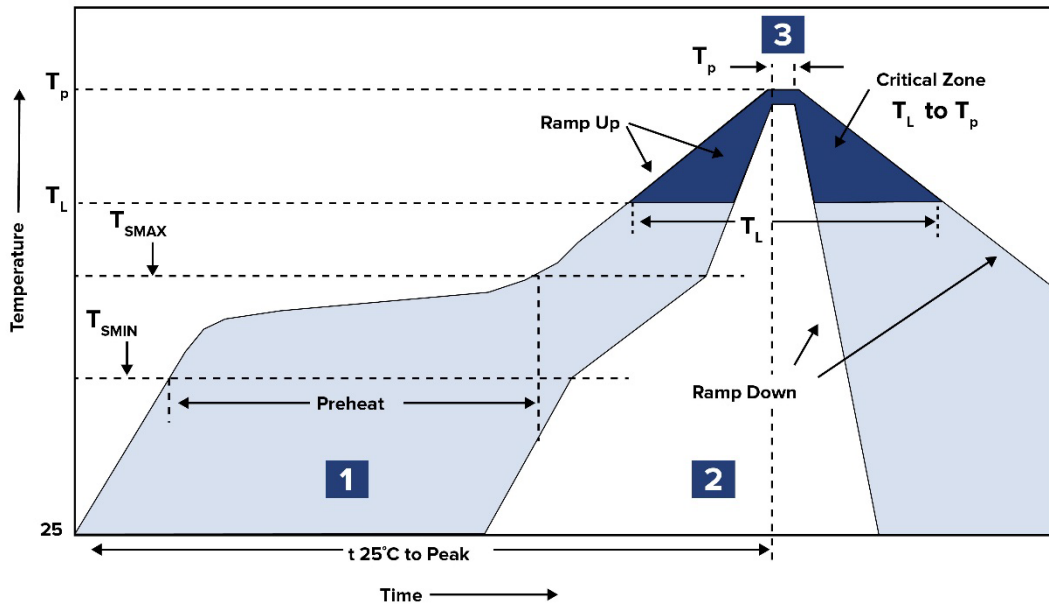


Various Sizes

RoHS/RoHS II Compliant

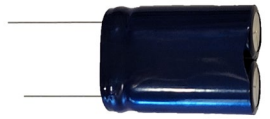
MSL Level = 1

Reflow Profile



| Zone | Description | Temperature | Times |
|------|-------------|--|---------------|
| 1 | Preheat | T _{SMIN} ~ T _{SMAX} 100°C ~ 150°C | 60 ~ 120 sec. |
| 2 | Reflow | T _L 200°C | 30 ~ 40 sec. |
| 3 | Peak heat | T _P 240°C±5°C | 5 sec. MAX |

Series-Connected Supercapacitor Module, 6.0V



ADCM-S06R0S

Request Samples



Check Inventory



Various Sizes

RoHS/RoHS II Compliant

MSL Level = 1

Packaging

| Part Number | Pcs/Box | Pcs/Carton |
|-------------------|---------|------------|
| ADCM-S06R0SA104PB | 768 | 4608 |
| ADCM-S06R0SA224XB | 512 | 3072 |
| ADCM-S06R0SA474WB | 320 | 1920 |
| ADCM-S06R0SA105RB | 224 | 1344 |
| ADCM-S06R0SA155RB | 224 | 1344 |
| ADCM-S06R0SA334WB | 224 | 1344 |
| ADCM-S06R0SA305RB | 192 | 1152 |
| ADCM-S06R0SA205RB | 120 | 720 |
| ADCM-S06R0SA505QB | 120 | 720 |
| ADCM-S06R0SA605RB | 120 | 720 |
| ADCM-S06R0SA106RB | 80 | 480 |
| ADCM-S06R0SA126RB | 80 | 480 |

ATTENTION: Abracon LLC's products are COTS – Commercial-Off-The-Shelf products; suitable for Commercial, Industrial and, where designated, Automotive Applications. Abracon's products are not specifically designed for Military, Aviation, Aerospace, Life-dependent Medical applications or any application requiring high reliability where component failure could result in loss of life and/or property. For applications requiring high reliability and/or presenting an extreme operating environment, written consent and authorization from Abracon LLC is required. Please contact Abracon LLC for more information.



5101 Hidden Creek Ln, Spicewood TX 78669
Phone: 512-371-6159 Fax: 512-351-8858
For terms and conditions of sales, please visit:
www.abracon.com

REVISION Initial Release :
9/25/2023

ABRACON IS
ISO9001-2015
CERTIFIED