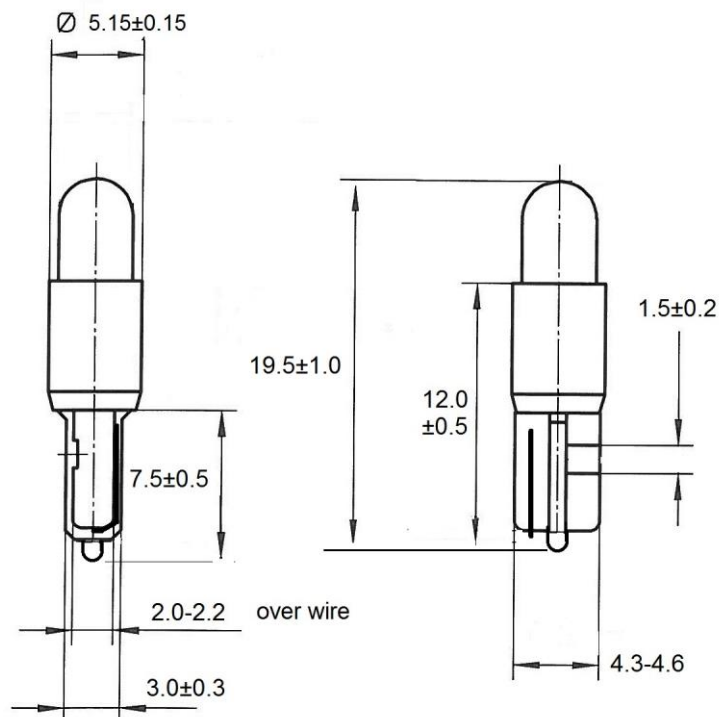


Part Number:

86001454

Type	Size	Rating	Description
Incandescent	T5	24V 40mA	T-1½ Wedge Base Lamp



Dimensions in millimetres

TEST VOLTS	CURRENT (mA)			LIGHT OUTPUT (Lm)			LIFE Hours
	Min.	Nom.	Max.	Min.	Nom.	Max.	
24	36	40	44	1.4	1.9	2.4	1,000

Notes:

- 1 **Base Type** T-1½ White plastic wedge base
- 2 **Filament Shape** C-2F
- 3 **Lamp Marking** 24V 40mA or no marking
- 4 **Environmental** RoHS & REACH SVHC compliant