

RoHS
Compliant



Features

- Snap Action, Automatic Reset
- Superior Heat Response
- PBT Resin Case with Epoxy Sealing
- Moisture/Dust-Proof
- Wire Customization upon request
- IP (Ingress Protection) : IP45 (Solid 4, Liquid 5)
- IECEx(Explosion Proof)

Applications

Electric Motors, Battery Chargers, Transformers, Power Supplies, Heating Pads, Fluorescent Ballasts, OA-Machines, Solenoids, LED Lighting, etc.

Heat Endurance

Open Temp. +50°C/continuity, 200°C/1min

Temperature Setting Range (at no load)

50°C to 150°C in increments of 5°C

Lead Wire Specifications

W-Type: UL3266 AWG22 Standard

Standard Length: 70mm long with 7mm stripped

P-Type: 00.7 Tinned Lead.

Standard Length: 25mm

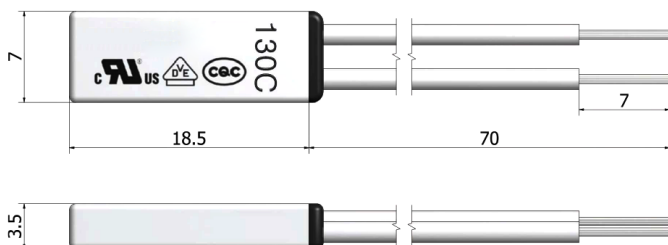
The length can be adjustable on demand

Contact Capacity

Min. Current 100mA/repeatedly.

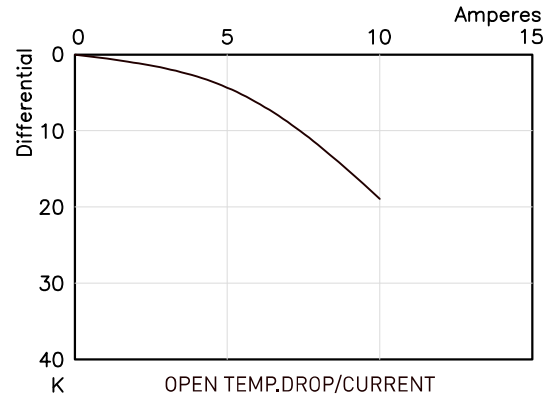
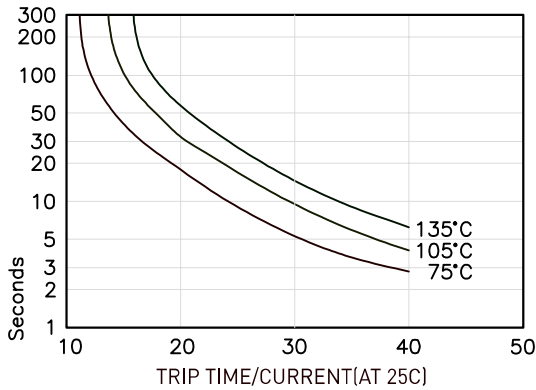
Max. Current 30A/5 cycles

Diagram

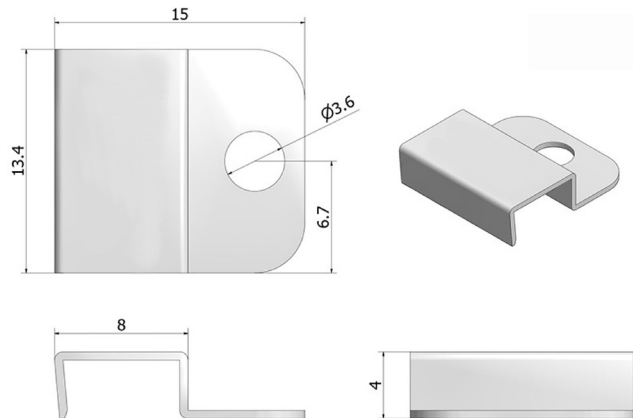


Dimensions : Millimetres

Characteristics



Accessory



MP-22 BRKT

Dimensions : Millimetres

Part Number Table

Description	Type	Temperature	Wire	Length		Part Number
Thermal Circuit Breaker	N/C	Set 50°C ±5°C	22AWG	70mm	7mm stripped	MP-22 50C WH 70 (7)
	N/C	Set 70°C ±5°C				MP-22 70C WH 70 (7)
	N/C	Set 90°C ±5°C				MP-22 90C WH 70 (7)
	N/C	Set 105°C ±5°C				MP-22 105C WH 70 (7)
	N/C	Set 120°C ±5°C				MP-22 120C WH 70 (7)
	N/C	Set 140°C ±5°C				MP-22 140C WH 70 (7)
Mounting Bracket						MP-22 BRKT

Important Notice : This data sheet and its contents (the "Information") belong to the members of the AVNET group of companies (the "Group") or are licensed to it. No licence is granted for the use of it other than for information purposes in connection with the products to which it relates. No licence of any intellectual property rights is granted. The Information is subject to change without notice and replaces all data sheets previously supplied. The Information supplied is believed to be accurate but the Group assumes no responsibility for its accuracy or completeness, any error in or omission from it or for any use made of it. Users of this data sheet should check for themselves the Information and the suitability of the products for their purpose and not make any assumptions based on information included or omitted. Liability for loss or damage resulting from any reliance on the Information or use of it (including liability resulting from negligence or where the Group was aware of the possibility of such loss or damage arising) is excluded. This will not operate to limit or restrict the Group's liability for death or personal injury resulting from its negligence. Multicomp Pro is the registered trademark of Premier Farnell Limited 2019.