

EXTERNAL DESKTOP POWER SUPPLY

12VDC 60WATT



TT Part No: T4497RW

Features:

- Universal Input
- IEC-320-C14 Input Connector
- 3 Year Warranty
- Efficiency Level VI
- Safety approved to: UL,CUL,FCC,GS,CE,RCM



Description:

Our Range of 60 Watt AC/DC switch mode power supplies provide 60 Watts of continuous output power in a high quality compact enclosure suitable for many general power applications.

Specification	
Part Number	T4497RW
Input Voltage Range	90 → 264 Vac
Input Frequency Range	47 → 63Hz
Input Connector	IEC 320-C14
Input Current	1.5A at100Vac/ 60Hz– at 240Vac/ 50Hz
Inrush Current	50A Max. at 115VAC cold start
	100A Max. at 230VAC cold start
Leakage Current	0.25mA
Efficiency	88% Min
Input Power (Output: No Load)	<0.1W (CEC & DOE LEVEL VI Compliant)
Output Voltage Rating	12 VDC
Output Current Range	5A
Output Min Current	0A
Output Connection Type	4-PIN Din Connector
Recommended Output Connector	Valcon DC-003-x-R 4-PIN Din PCB Mount Socket
Line and Load Regulation	+/-5%
Over Voltage Protection	The output voltage shall be clamped by/V; at full load and no load with rated input voltage.
Over Current Protection	The output current is less than 10A at 230Vac.
Short Circuit Protection	Can withstand a continuous output short without damage, and auto-recovery operation after the short is removed.
Ripple Voltage	150 mV (p-p) (100V-240V AC Input)
Hi-Pot	1500Vac or 2121VDC 10mA 1 min
Safety Approved	GS,CB,CE,UL/CUL,RCM, R-MEPS
EMI Standard	FCC Class B, CE
Operating Temperature Range	0°C → +40°C
Storage Temperature	-40°C → +80°C
Operating Humidity	20% to 80%
Storage Humidity	20% to 98%
Dimensions	118.0(L) x 51.4(W) x 34(H) mm
Product Weight	272g
Regulator Type	Switched Mode Power Supply

General Note
 TT Electronics reserves the right to make changes in product specification without notice or liability. All information is subject to TT Electronics' own data and is considered accurate at time of going to print.

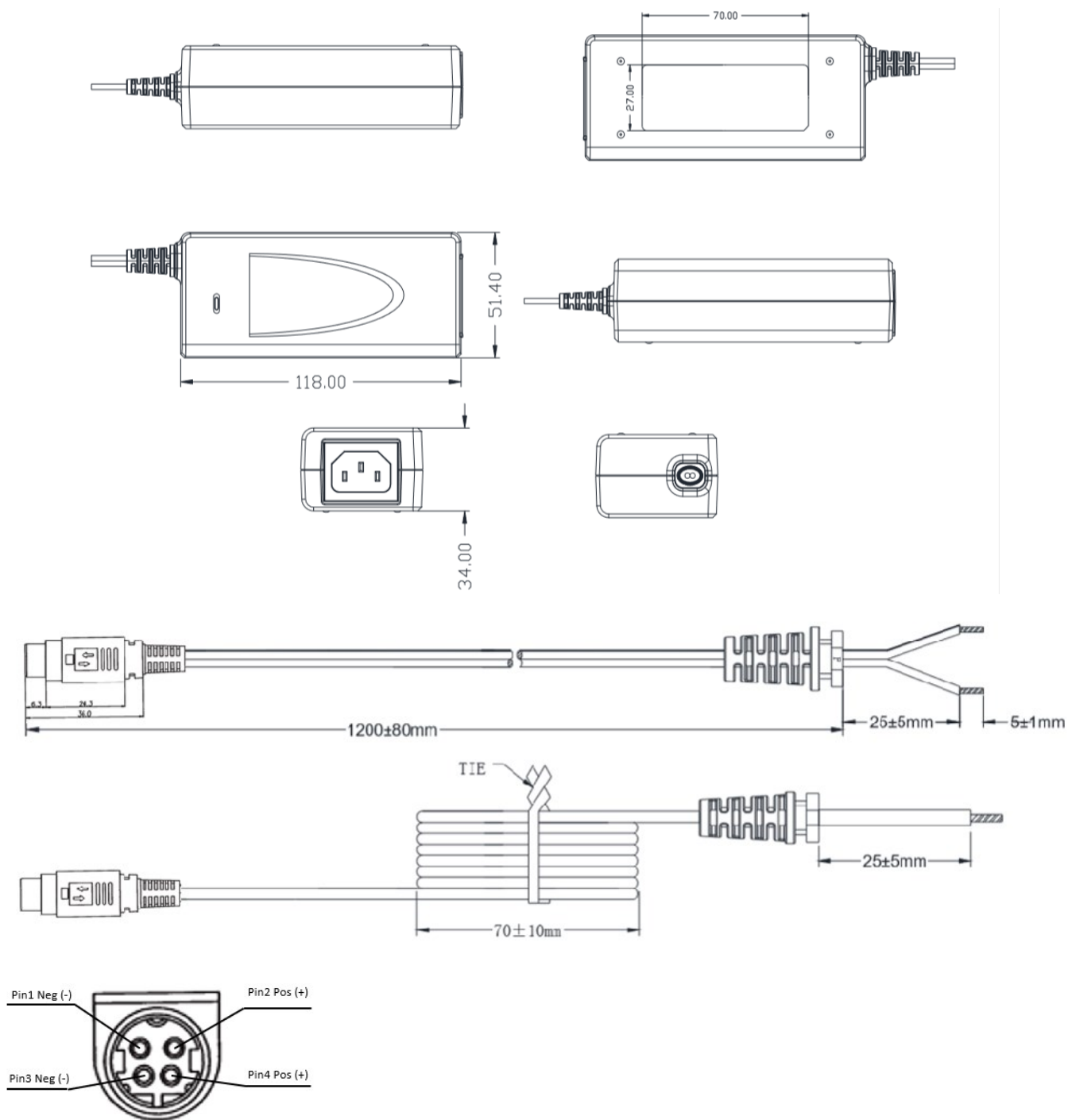
EXTERNAL DESKTOP POWER SUPPLY

12VDC 60WATT

TT Part No: T4497RW



Diagrams



General Note
 TT Electronics reserves the right to make changes in product specification without notice or liability. All information is subject to TT Electronics' own data and is considered accurate at time of going to print.

TT Electronics IoT Solutions Ltd
 Tofts Farm East, Brenda Road, Hartlepool, TS25 2BQ, UK
 t: +44 (0) 1429 852 500