

Part Number: AOM-6742L-R



Features

Omnidirectional
Super clarity, distortion-free response
Available with lead wire type mounting
This part is RoHS 2002/95/EC Compliant

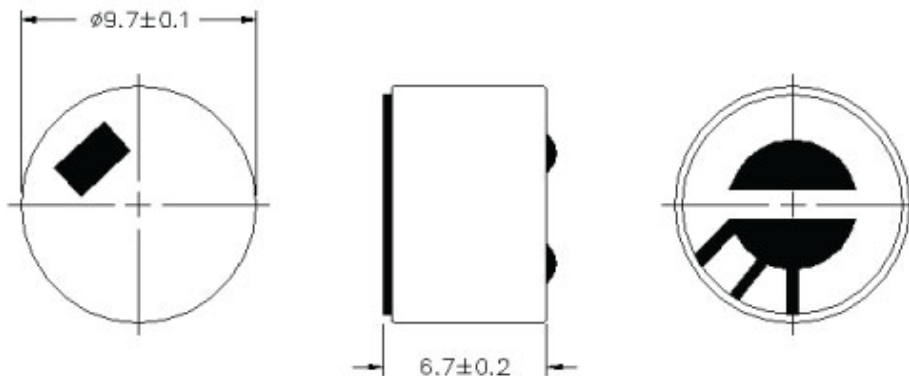
Electrical Specifications

Directivity	Omnidirectional
Impedance	2.2 kOhm
Operating Voltage	1.5 Vdc
Package Size	9.7 x 6.7 mm
Sensitivity	-42 +/- 3 dB

Environmentally friendly

Mechanical

Dimensions are in millimeters, tolerance is ± 0.5 unless otherwise specified.



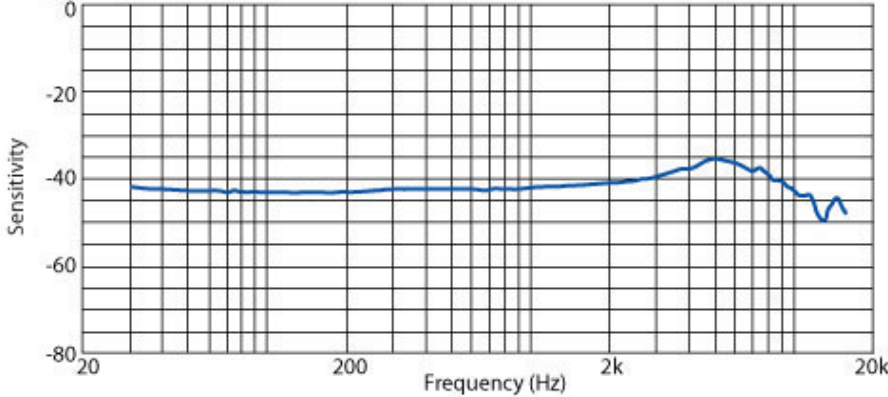
For application notes and detail drawing specifications, please consult www.projectsunlimited.com.

Specifications subject to change without notice.

© 2006, Projects Unlimited Inc., All Rights Reserved.

Part Number: AOM-6742L-R

Performance



For application notes and detail drawing specifications, please consult www.projectsunlimited.com.

Specifications subject to change without notice.

© 2006, Projects Unlimited Inc., All Rights Reserved.