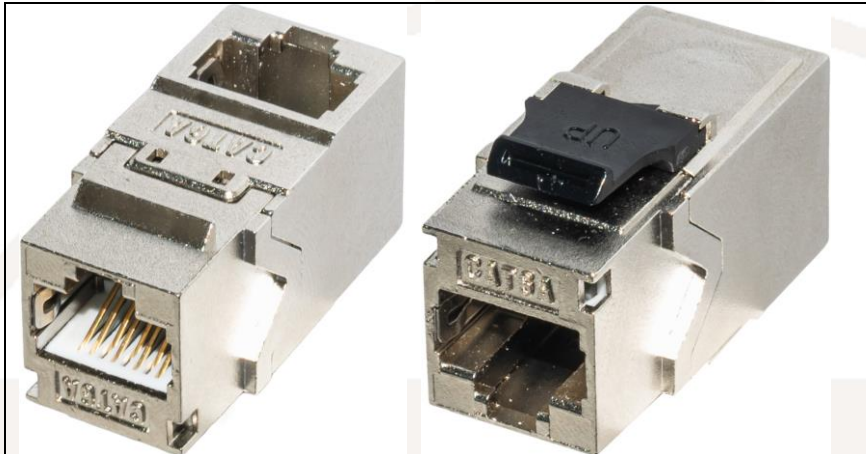


## Category 6A 90° Keystone Panel Mount Coupler



### **90° Keystone Panel Mount Coupler (SGACK902S)**

High performance coupler ideal for use in backboxes and in limited space.

#### **Features**

- Slim and very compact design enables use in panels or faceplates where width or depth are restricted
- Designed to fit industry standard keystone mount outlets wall plates and patch panels
- High performance data throughput, meets Category 6A data transfer rates
- Diecast body provides outstanding shielding
- Compliant with IEEE standard for PoE+ and 4PPoE IEEE 802.3

#### **Specifications**

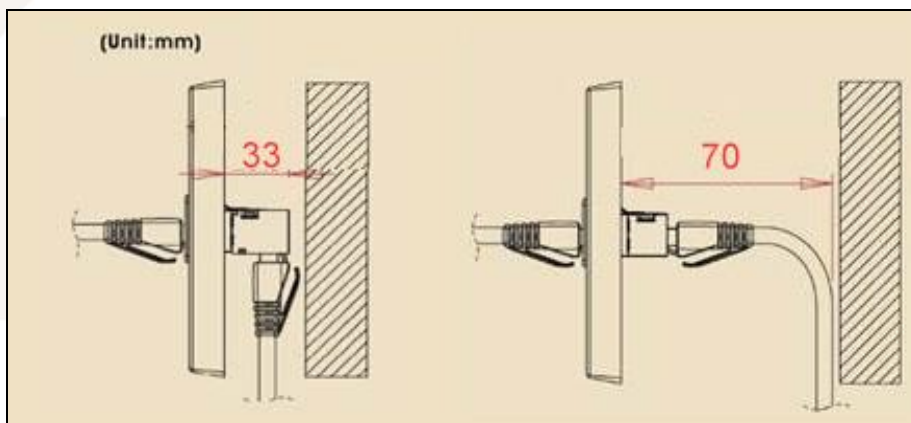
- Dimensions: 35 x 22.23 x 17mm
- Colour: Silver (shielded)
- Materials:
  - Housing: zinc alloy
  - RJ45 contacts: 50µ"/1.27µm gold plating on phosphor bronze
- Current rating: 1.5A
- Dielectric withstanding voltage: 1000V AC 60Hz
- Insulation resistance: 500MΩ max.
- Contact resistance: 20mΩ min.

**Packaging:** supplied in individual polybags then in bags of 20's

**Commodity Code:** 85444920

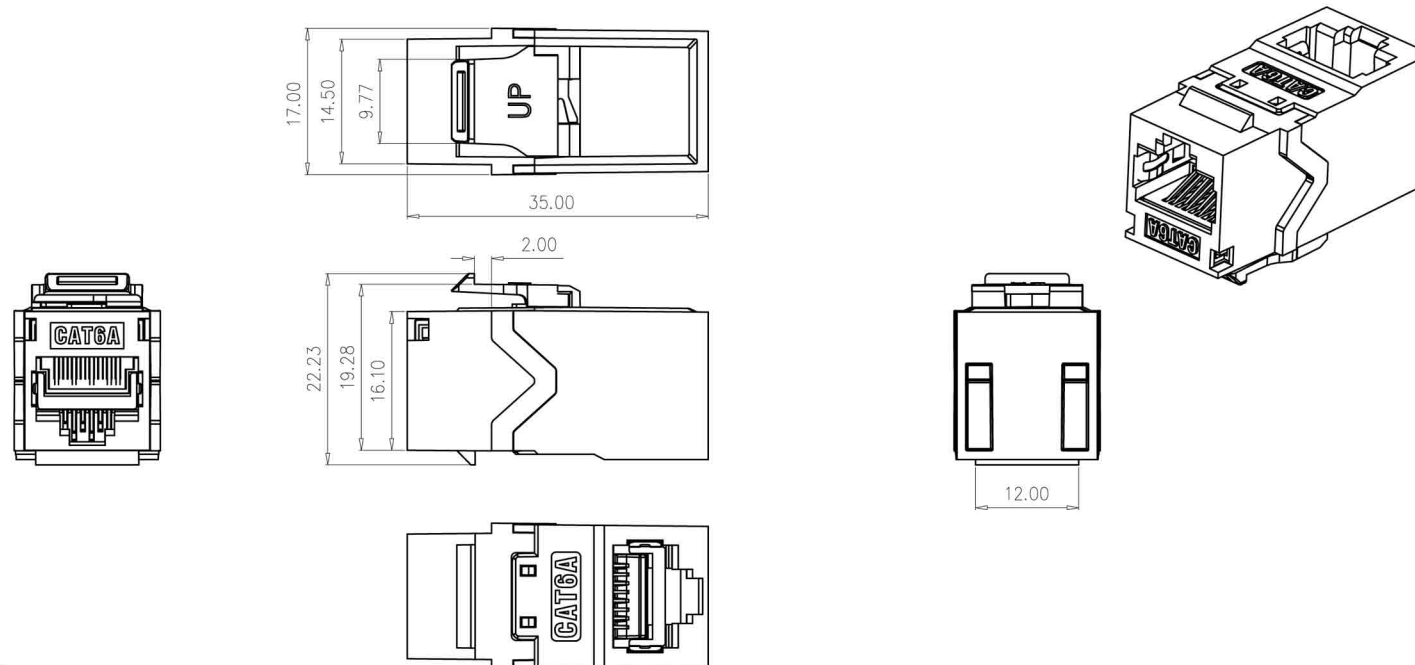
**EAN:** 5055386511058

**Country of Origin:** China



**90° Coupler vs Standard Coupler**

ROHS Compliant

**ELECTRICAL**

CURRENT RATING: 1.5A.

DIELECTRIC WITHSTANDING VOLTAGE: 1000V AC 60Hz.

INSULATION RESISTANCE: 500M  $\Omega$  MIN.CONTACT RESISTANCE: 20m  $\Omega$  MAX.**MECHANICAL**

(1)Materials:Zinc Alloy

(2)RJ45 Jack Contact:Phosphor bronze,50U"/1.27 $\mu$ m Gold Plating