



300 SERIES

- Ranges from 0 psig to 15 through 0 psig to 10,000 psig; absolute ranges from 0 psia to 15 psia through 0 psia to 300 psia
- Current and voltage outputs available
- 316 and 13-8PH Stainless Steel wetted parts
- RoHS compliant
- CE compliant to suppress RFI, EMI and ESD

APPLICATIONS

- HVAC
- Hydraulics & pneumatics
- Injection molding machines
- Railroad equipment
- Stamping & forming presses

SPECIFICATIONS

Output signals	4 mA to 20 mA, 2-wire; 0 Vdc to 5 Vdc, 3-wire; 1 Vdc to 5 Vdc, 3-wire; 0 Vdc to 10 Vdc, 3-wire; 0.5 Vdc to 4.5 Vdc ratiometric, 3-wire
Pressure ranges	0 psig to 15 psig through 0 psig to 10,000 psig Absolute from 0 psia to 15 psia through 0 psia to 300 psia
Accuracy	±0.5% full scale (BFSL), (includes the effects of non-linearity, hysteresis, non-repeatability, zero point and full scale errors)
Stability	≤ ±0.2% full scale per year, non-accumulating
Response time	≤ 4 ms (between 10% and 90% full scale)
Service life	> 100,000,000 load cycles
Temperature ranges	Compensated 32 °F to 176 °F (0 °C to 80 °C) Media 32 °F to 176 °F (0 °C to 80 °C) Ambient 32 °F to 176 °F (0 °C to 80 °C) Storage -4 °F to 176 °F (0 °C to 80 °C)
Power requirement*	8 Vdc to 30 Vdc (4 mA to 20 mA, 2-wire, 0 Vdc to 5 Vdc, 3-wire, 1 Vdc to 5 Vdc, 3-wire, 0.5 Vdc to 4.5 Vdc, 3-wire) 14 Vdc to 30 Vdc (0 Vdc to 10 Vdc, 3-wire) 5 Vdc ± 10% (0.5 Vdc to 4.5 Vdc ratiometric, 3-wire)
Load limitations	≤ (VPower-10)/0.020 Amp for 4 mA to 20 mA output ≤ 5,000 Ω for 1 Vdc to 5 Vdc output ≤ 10,000 Ω for 0 Vdc to 10 Vdc output ≤ 4,500 Ω for 0.5 Vdc to 4.5 Vdc output
Proof pressure	2 times full scale
Burst pressure	6 times full scale
Measuring element	316 Stainless Steel for absolute through 150 psi 13-8PH Stainless Steel for ≥150 psi
Connection	316 Stainless Steel
Housing material	316 Stainless Steel
Environmental rating	IP65 to IP67 depending on electrical connection
Electromagnetic rating	CE compliant to EMC norm EN 61326:2014/A1:1998 RFI, EMI and ESD protection
Electrical protection	Reverse polarity, over-voltage and short circuit protection
Shock	500 g's according to IEC 60068-2-27
Vibration	10 g's according to IEC 60068-2-6
Weight	Approximately 2.8 oz.

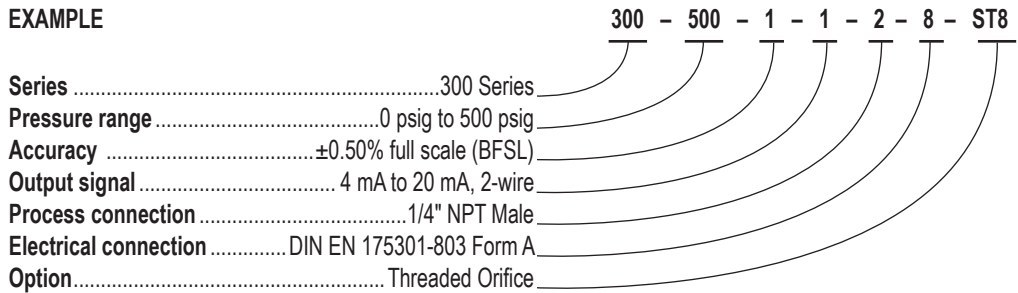
* Unregulated



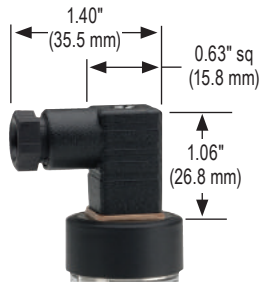
ORDERING INFORMATION						
SERIES	300					
PRESSURE RANGES	30inH ₂ O-vac	-30 inH ₂ O to 0 psig	1 0 psig to 1 psig	500 0 psig to 500 psig	10000 0 psig to 10,000 psig	
	30vac	-30 inHg to 0 psig	5 0 psig to 5 psig	750 0 psig to 750 psig	15A 0 psia to 15 psia	
	30/15	30 inHg to 15 psig	15 0 psig to 15 psig	1000 0 psig to 1,000 psig	30A 0 psia to 30 psia	
	30/30	30 inHg to 30 psig	30 0 psig to 30 psig	1500 0 psig to 1,500 psig	60A 0 psia to 60 psia	
	30/60	30 inHg to 60 psig	60 0 psig to 60 psig	2000 0 psig to 2,000 psig	100A 0 psia to 100 psia	
	30/100	30 inHg to 100 psig	100 0 psig to 100 psig	3000 0 psig to 3,000 psig	150A 0 psia to 150 psia	
	30/160	30 inHg to 160 psig	150 0 psig to 150 psig	5000 0 psig to 5,000 psig	200A 0 psia to 200 psia	
	30/200	30 inHg to 200 psig	200 0 psig to 200 psig	6000 0 psig to 6,000 psig	300A 0 psia to 300 psia	
	30/300	30 inHg to 300 psig	300 0 psig to 300 psig	7500 0 psig to 7,500 psig		
	psig = gauge pressure psia = absolute pressure Other ranges available upon request.					
ACCURACIES	1 ±0.5% full scale (BFSL)					
OUTPUT SIGNALS	1 4 mA to 20 mA, 2-wire		5 0 Vdc to 10 Vdc, 3-wire			
	2 0 Vdc to 5 Vdc, 3-wire		13 0.5 Vdc to 4.5 Vdc, 3-wire (ratiometric)			
PROCESS CONNECTIONS	2 1/4" NPT male		10 G 1/4 B		45 7/16-20 SAE J514 FIG 34B (Non-Adjustable)	
	8 1/2" NPT male		11 G 1/2 B			
ELECTRICAL CONNECTIONS	1 DIN EN 175301-803 Form A w/ 36" Cable			8 DIN EN 175301-803 Form A		25 M12 x 1 (4-pin)
	7 DIN EN 175301-803 Form C			14 DIN EN 175301-803 Form A with 1/2" NPT female conduit		36 6' Integral cable
OPTION	ST8 Threaded Orifice (0.8 mm)					

Please consult your local NOSHOK Distributor or NOSHOK, Inc. for availability and delivery information.

EXAMPLE



Integral cable

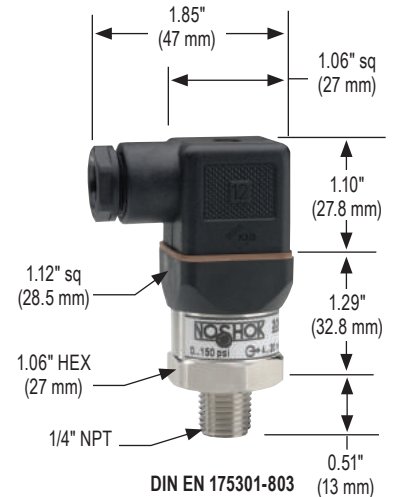


DIN EN 175301-803 Form C



*M12 x 1 (4-pin)

* Note: (mate supplied separately)



DIN EN 175301-803 Form A

300 Series Wiring	4 mA to 20 mA	
CONNECTION TYPE (CODE)	V+	V-
DIN EN 175301-803 Form A (8 or 14), DIN EN 175301-803 Form C (7)	1	2
DIN EN 175301-803 Form A w/ Cable (1)	Red	Black
M12 x 1, 4-Pin (25)	1	3
Integral Cable, Unshielded (36)	Brown	Blue

300 Series Wiring	0-5 Vdc, 1-5 Vdc, 1-6 Vdc, 0-10 Vdc, 1-11 Vdc		
CONNECTION TYPE (CODE)	V+	COMMON	OUTPUT
DIN EN 175301-803 Form A (8 or 14), DIN EN 175301-803 Form C (7)	1	2	3
DIN EN 175301-803 Form A w/ Cable (1)	Red	Black	White
M12 x 1, 4-Pin (25)	1	3	4
Integral Cable, Unshielded (36)	Brown	Blue	Black

Load Limitations 4 mA to 20 mA output
V _{min} = 10V + (.020 x RL)
RL = Loop resistance (Ω)
RL = RS + RW
RS = Sensor resistance (Ω)
RW = Wire resistance (Ω)