

# Precision Test



## 800 SERIES

- Highly accurate dry gauge
- Vacuum and compound ranges through 0 psi to 6,000 psi
- 6" gauge size
- Stainless Steel case
- Beryllium copper, 316 Stainless Steel, and Brass wetted parts

### OPERATING SPECIFICATIONS

#### 1. Working Pressure Limitations

##### a. Static Pressure

The working pressure, where no sharp fluctuations occur, should be limited to 100% of the dial range.

**NOTE:** 800 Series Precision Test gauges are not intended for dynamic applications.

### APPLICATIONS

- Aerospace equipment
- Gauge repair facilities
- Laboratory & test equipment
- Precision measurement

	SERIES	SPECIFICATIONS
Pressure ranges	60-800	Vacuum and compound ranges through 0 psi to 6,000 psi
Accuracy	60-800	±0.25% full scale
Temperature ranges*	60-800	Media -40 °F to 180 °F (-40 °C to 80 °C) Ambient -40 °F to 140 °F (-40 °C to 60 °C)
Measuring element	60-800	Beryllium copper Bourdon tube to 1,000 psi 316 SS Bourdon tube 1,500 psi to 6,000 psi
Connection	60-800	1/4" NPT bottom connection, Brass
Case	60-800	304 Stainless Steel
Cover ring	60-800	304 Stainless Steel
Lens	60-800	Instrument glass
Pointer	60-800	Adjustable knife-edge pointer
Dial	60-800	Aluminum, white mirrored background with black scale.
Movement	60-800	Brass with jeweled bearings Nickel-silver pinion gear and shafts

\* For every 18 °F (10 °C) shift in temperature from which the gauge is calibrated, the user can experience up to ±0.4% additional error.

For details on accuracy/standard dial configuration and dial layouts, see pages 56-61.



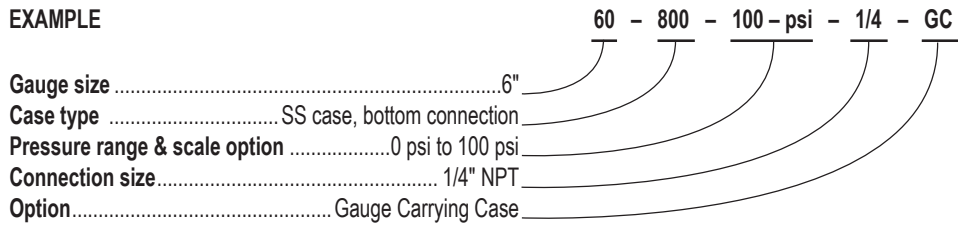
**WARNING:** This product can expose you to chemicals including Lead, which is known to the State of California to cause cancer and birth defects or other reproductive harm. For more information go to [www.P65Warnings.ca.gov](http://www.P65Warnings.ca.gov)

ORDERING INFORMATION								
<b>GAUGE SIZE</b>	60 6"							
<b>CASE TYPE</b>	800 SS Case, bottom connection							
<b>PRESSURE RANGES</b>	30vac	-30 inHg to 0 psi	30/300	-30 inHg to 0 to 300 psi	300	0 psi to 300 psi	5000	0 psi to 5,000 psi
	30/15	-30 inHg to 0 to 15 psi	15	0 psi to 15 psi	400	0 psi to 400 psi	6000	0 psi to 6,000 psi
	30/30	-30 inHg to 0 to 30 psi	30	0 psi to 30 psi	600	0 psi to 600 psi		
	30/60	-30 inHg to 0 to 60 psi	60	0 psi to 60 psi	1000	0 psi to 1,000 psi		
	30/100	-30 inHg to 0 to 100 psi	100	0 psi to 100 psi	1500	0 psi to 1,500 psi		
	30/160	-30 inHg to 0 to 160 psi	160	0 psi to 160 psi	2000	0 psi to 2,000 psi		
	30/200	-30 inHg to 0 to 200 psi	200	0 psi to 200 psi	3000	0 psi to 3,000 psi		
<b>SCALE OPTION</b>	psi psi single scale							
<b>CONNECTION SIZES</b>	1/4	1/4" NPT	1/2	1/2" NPT	SST	SAE J1926-3: 7/16-20 Adjustable		
<b>OPTIONS</b>	SSFF	304SS Front Flange	ST	Stainless Steel Tagging				
	SSRF	304SS Rear Flange	BP3	Brass Press Fit Orifice 0.3 mm				
	GC	Gauge Carrying Case	BT8	Brass Threaded Orifice 0.8 mm				
	LM	Laser Marking						

Please consult your local NOSHOK Distributor or NOSHOK, Inc. for availability and delivery information.

**NOTES:** Refer to 800 Series Options & Accessories chart on page 52 for availability by part number.  
 Cleaning for Oxygen Service (O2) is available only for dry or HL filled gauges

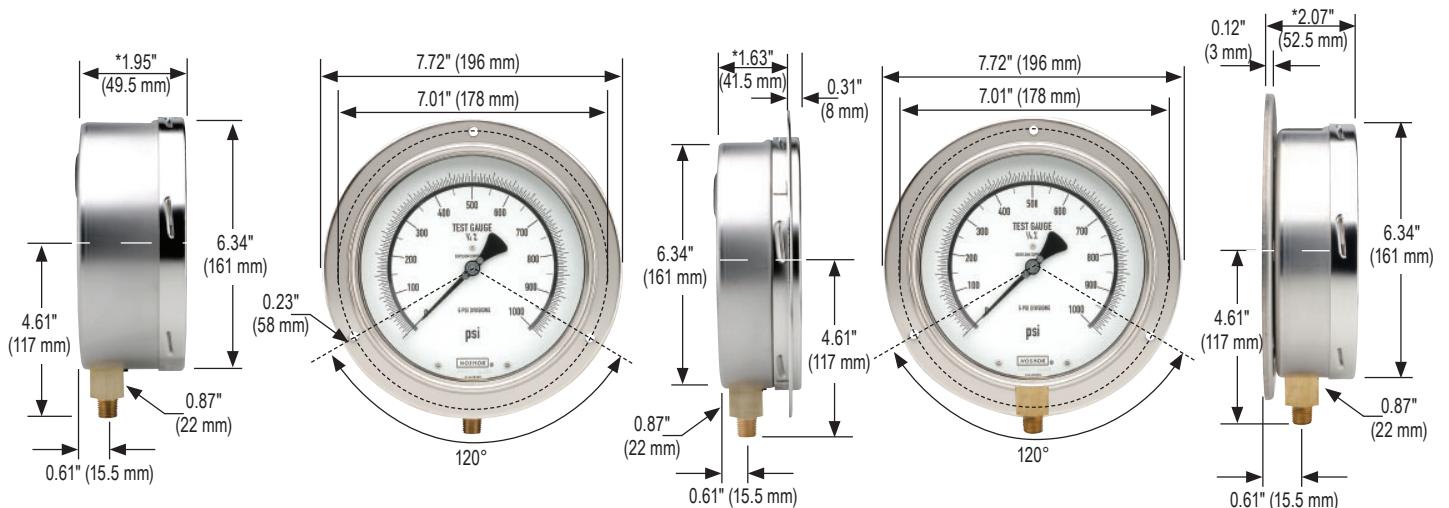
### EXAMPLE



### 60-800\*

### 60-800 Front Flange

### 60-800 Rear Flange



\*For ranges ≤60 psi and ≥1,500 psi, increase by 0.63" (16 mm)