

**Part Number:** POM-1644L-NF-R



**Features**

- Omnidirectional
- Super clarity, distortion-free response
- Available with lead wire type mounting
- This part is RoHS 2002/95/EC Compliant

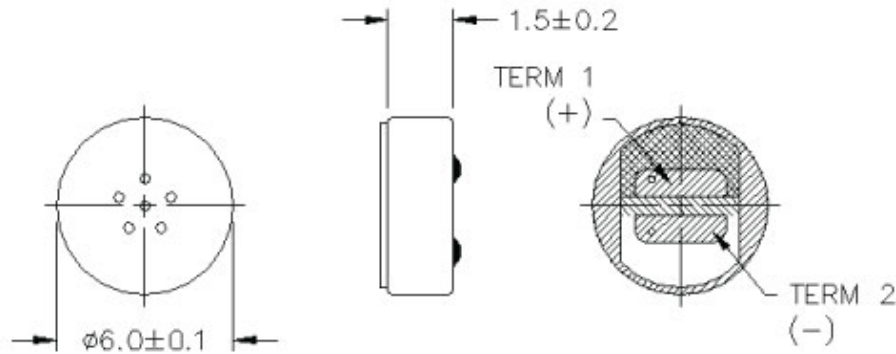
**Electrical Specifications**

- |                   |                 |
|-------------------|-----------------|
| Directivity       | Omnidirectional |
| Impedance         | 2.2 kOhm        |
| Operating Voltage | 2 Vdc           |
| Package Size      | 6 x 1.5 mm      |
| Sensitivity       | -44 +/- 3 dB    |

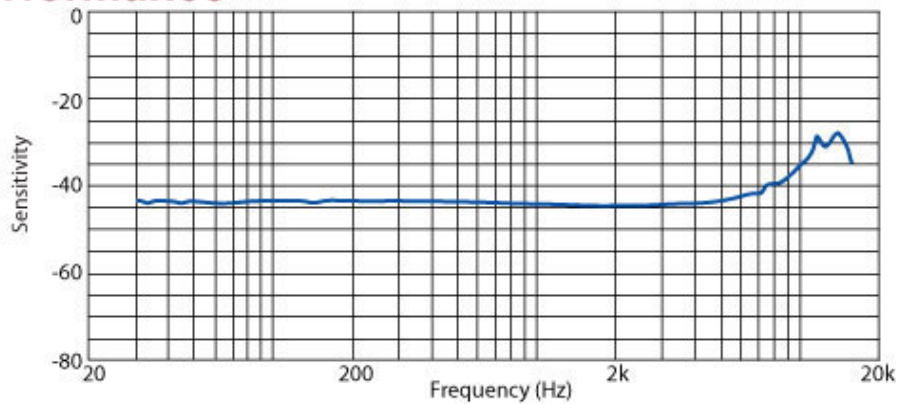
Environmentally friendly

**Mechanical**

*Dimensions are in millimeters, tolerance is ± 0.5 unless otherwise specified.*



**Performance**



**For application notes and detail drawing specifications, please consult [www.projectsunlimited.com](http://www.projectsunlimited.com).**

Specifications subject to change without notice.

© 2006, Projects Unlimited Inc., All Rights Reserved.