

Magnetic Circular Connector and Cable Assemblies

multicomp PRO

MP002495

Magnetic 5A 2 Contacts Rotating 360 Deg. Panel Solder

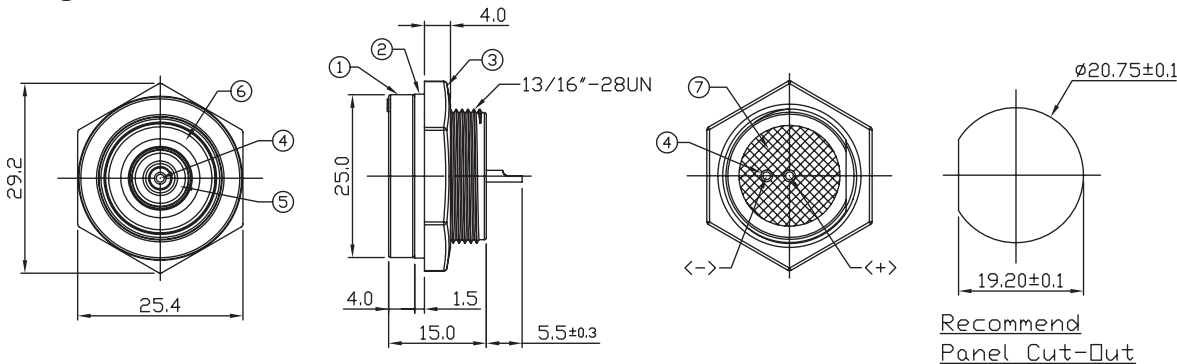
**RoHS
Compliant**



Specifications

IP Rating	: IP67
Recommend Panel Thickness	: 0.8mm to 4mm
Recommend Torque	: 14 to 15Kgf-cm
DWV	: 500Vrms
Rated Voltage	: 30V AC/DC
Insulation Resistance	: 100MΩ Min.

Diagram



Dimensions : Millimetres

No.	Part Name	Material/Finish	Qty.
1	Housing	Thermoplastic; Colour: Black	1
2	Contacts	Copper Alloy; Finish: Au Plated	3
3	Magnet	Nd-Fe-B N50; Finish: Ni	2
4	Cable	UL1185 18AWG×1C+Spiral; OD=3.5mm, Colour: Black	1
5	Inner Mold	Thermoplastic; Colour: White or Black	
6	Over Mold	PVC; Colour: Black	
7	Steel Sheet	SUS430	2
8	Wire	UL1007 18AWG; Colour: Black	1

multicomp PRO

Magnetic Circular Connector and Cable Assemblies

multicomp PRO

MP002496

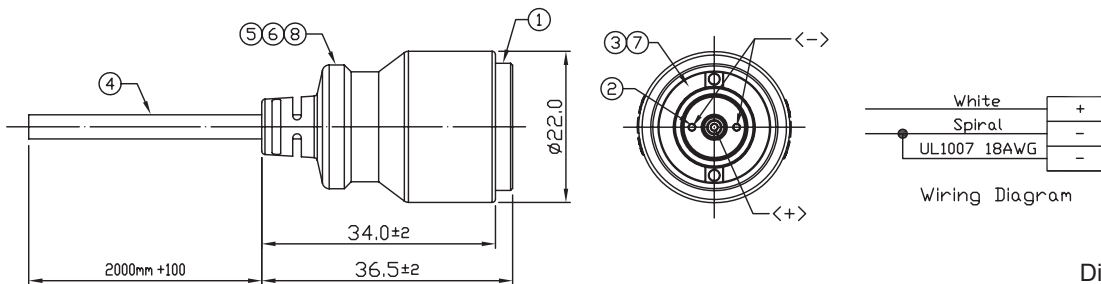
5A 2 Contacts Cable End with Cable



Specifications

DWV	: 500Vrms
Rated Voltage	: 30V AC/DC
Insulation Resistance	: 100MΩ Min.

Diagram



Dimensions : Millimetres

No.	Part Name	Material/Finish	Qty.
1	Housing	Thermoplastic; Colour: Black	1
2	Contacts	Copper Alloy; Finish: Au Plated	3
3	Magnet	Nd-Fe-B N50; Finish: Ni	2
4	Cable	UL1185 18AWG×1C+Spiral; OD=3.5mm, Colour: Black	1
5	Inner Mold	Thermoplastic; Colour: White or Black	
6	Over Mold	PVC; Colour: Black	
7	Steel Sheet	SUS430	2
8	Wire	UL1007 18AWG; Colour: Black	1

multicomp PRO

Magnetic Circular Connector and Cable Assemblies

MP002497

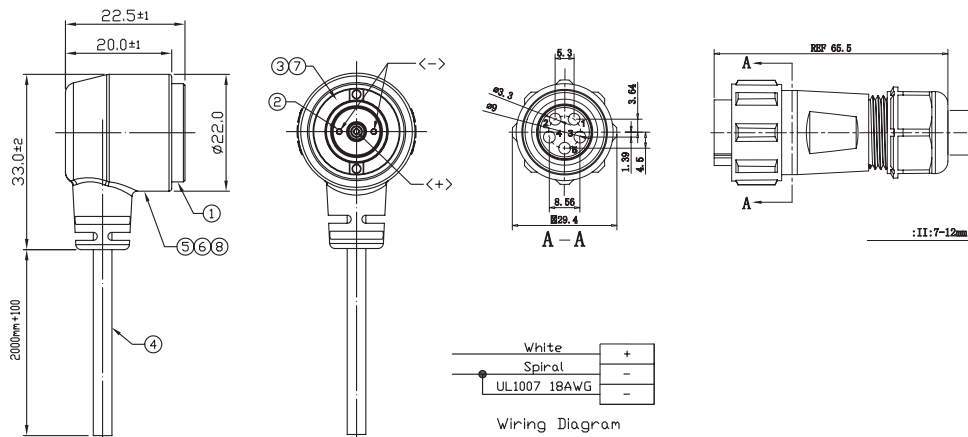
Magnetic 5A 2 Contacts rotating 360 Deg. Cable End 90 Deg. with Cable



Specifications

DWV	: 500Vrms
Rated Voltage	: 30V AC/DC
Insulation Resistance	: 100MΩ Min.

Diagram



Dimensions : Millimetres

No.	Part Name	Material/Finish	Qty.
1	Housing	Thermoplastic; Colour: Black	1
2	Contacts	Copper Alloy; Finish: Au Plated	3
3	Magnet	Nd-Fe-B N50; Finish: Ni	2
4	Cable	UL1185 18AWG×1C+Spiral; OD=3.5mm, Colour: Black	1
5	Inner Mold	Thermoplastic; Colour: White or Black	
6	Over Mold	PVC; Colour: Black	
7	Steel Sheet	SUS430	2
8	Wire	UL1007 18AWG; Colour: Black	1

Magnetic Circular Connector and Cable Assemblies

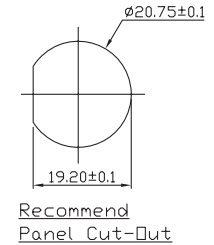
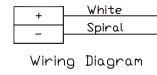
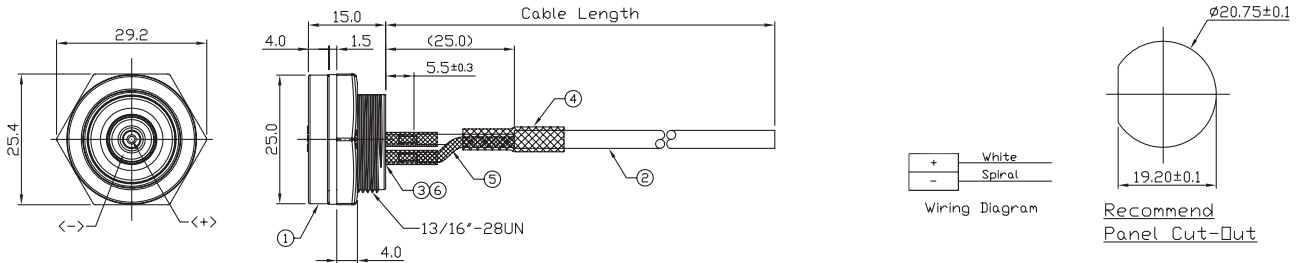
MP009810



Specifications

Current Rating	: 5A
AWG Gauge	: 24 AWG to 26 AWG
Temperature Range	: -40°C to +80°C
IP Rating	: IP67

Diagram



Dimensions : Millimetres

Item	Part Name	Material / Finish	Qty
1	Magnetic 5A Contacts Panel Solder	Contact	1
2	Cable	UL1185 18AWG×1C+Spiral; OD:3.5mm, Colour:Black	
3	Shrink Tube	L=10mm; Colour: Black	1
4	Shrink Tube	L=20mm; Colour: Black	
5	Shrink Tube	L=20mm; Colour: Black	
6	Glue	Epoxy; Colour: Black	-

Magnetic Circular Connector and Cable Assemblies

multicomp PRO

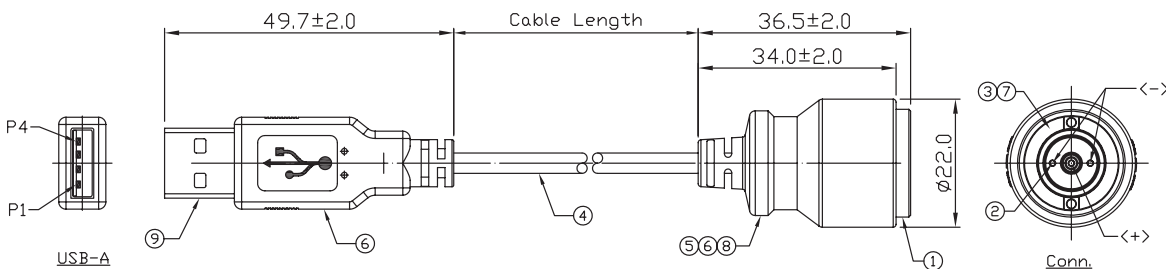
MP009811



Specifications

Contact	: 2 Pin
Current Rating	: 5A
Insulation Resistance	: 100mΩ min
Dielectric Withstanding Voltage	: 300V AC/DC.
Contact Resistance	: 50mΩ
AWG Gauge	: 18 AWG
Temperature Range	: -20°C to+70°C

Diagram



Dimensions : Millimetres

Item	Part Name	Material / Finish	Qty
1	Housing	Thermoplastic; Colour: Black	1
2	Contacts	Copper Alloy; Finish: Au Plated	3
3	Magnet	Nd-Fe-B N50; Finish: Ni	2
4	Cable	UL1185 18AWG×1C+Spiral; OD: 3.5mm, Colour: Black	1
5	Inner Mold	Thermoplastic; Colour: White or Black	1
6	Over Mold	PVC; Colour: Black	2
7	Steel Sheet	SUS430	2
8	Wire	UL1007 18AWG; Colour: Black	1
9	USB-A Plug	Housing Thermoplastic, Colore: Black	1
		Contacts: Copper Alloy, Finish: Au Plated	
		Shell: Cold Roll Steel, Finish: Ni Plated	

multicomp PRO

Magnetic Circular Connector and Cable Assemblies

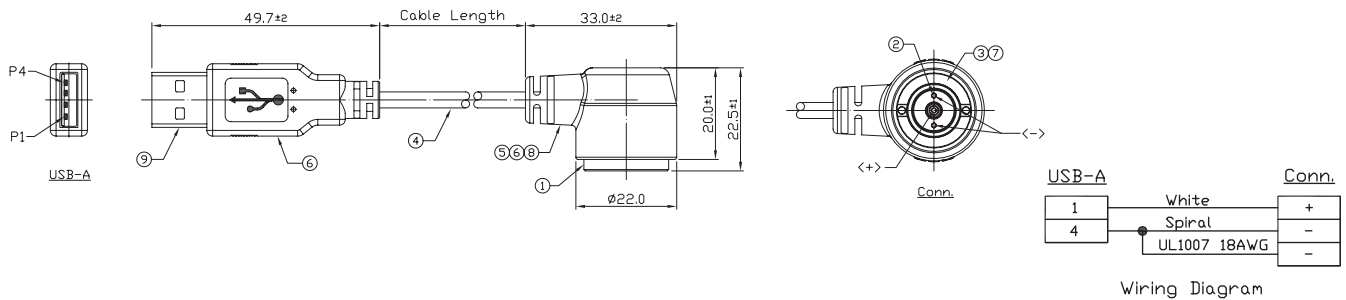
MP009812



Specifications

Contact	: 2 Pin
Current Rating	: 5A
Insulation Resistance	: 100mΩ min
Dielectric Withstanding Voltage	: 300V AC/DC.
Contact Resistance	: 50mΩ
AWG Gauge	: 18 AWG
Temperature Range	: -20°C to+70°C

Diagram



Dimensions : Millimetres

Item	Part Name	Material / Finish	Qty
1	Housing	Thermoplastic; Colour: Black	1
2	contacts	Copper Alloy; Finish: Au Plated	3
3	Magnet	Nd-Fe-B N50; Finish: Ni	2
4	Cable	UL1185 18AWG×1C+Spiral; OD: 3.5mm, Colour: Black	1
5	Inner Mold	Thermoplastic; Colour: White or Black	1
6	Over Mold	PVC; Colour: Black	2
7	Steel Sheet	SUS430	2
8	Wire	UL1007 18AWG; Colour: Black	1
9	USB-A Plug	Housing Thermoplastic, Colore: Black	1
		Contacts: Copper Alloy, Finish: Au Plated	
		Shell: Cold Roll Steel, Finish: Ni Plated	

Magnetic Circular Connector and Cable Assemblies

multicomp PRO

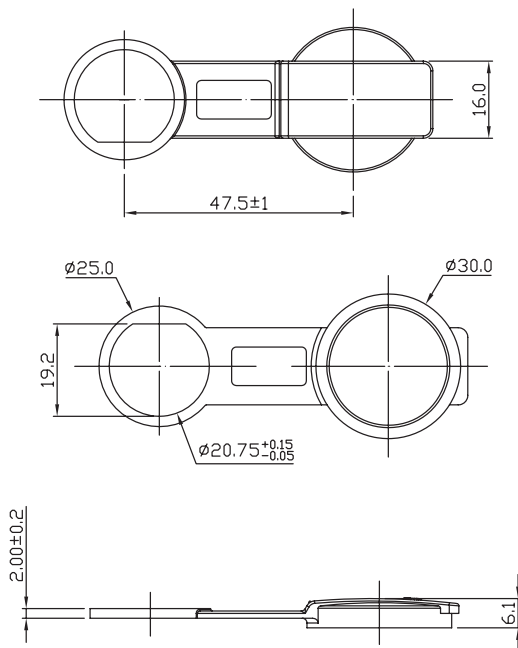
MP009813 Rubber Cap



Specifications

IP Rating : IP67
Temperature Range : +100°C

Diagram



Dimensions : Millimetres

Note:

1. Waterproof Rate: IP67

multicomp PRO

Magnetic Circular Connector and Cable Assemblies

MP012103 & MP012104

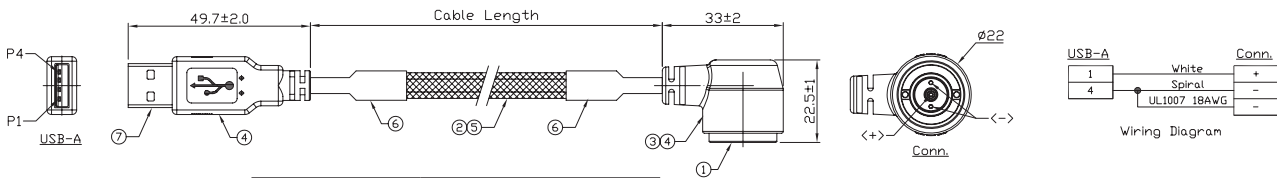
5A 2 Contacts Cable End 90 Deg. with Cable and Sleeving with USB-A Plug



Specifications

Continuous Operating Temperature	: -40°C to +150°C
Bend ability at Low Temperature	: -10°C × 168hrs (No Cracking)
Aging Resistance	: +180°C × 168hrs (No Cracking)
Melting Point Temperature	: ASTM D2117 (240°C)
Flame Resistance	: UL-1441 (VW-1)
Abrasion Resistance	: ISO 6722-1, ≥15000 cycles, (No Cracking)

Diagram



Part Number	Cable Length
MP012103	2000mm ±150mm
MP012104	5000mm ±100mm

Item	Part Name	Material / Finish	Qty
1	5A 2 Contacts Cable End 90 Deg. with USB-A Plug	-	1
2	Cable	UL1185 18AWG×1C+Spiral, OD=3.5mm, Colour: Black	
3	Inner Mold	Thermoplastic, Colour: White	
4	Over Mold	PVC, Colour: Black	
5	Sleeving	PET, Colour: Black	
6	Shrink Tube with Glue	L=40mm, PVC, Colour: Black	
7	USB-A Plug	Housing Thermoplastic, Colore: Black Contacts: Copper Alloy, Finish: Au Plated Shell: Cold Roll Steel, Finish: Ni Plated	

Dimensions : Millimetres

Magnetic Circular Connector and Cable Assemblies

MP012105 & MP012106

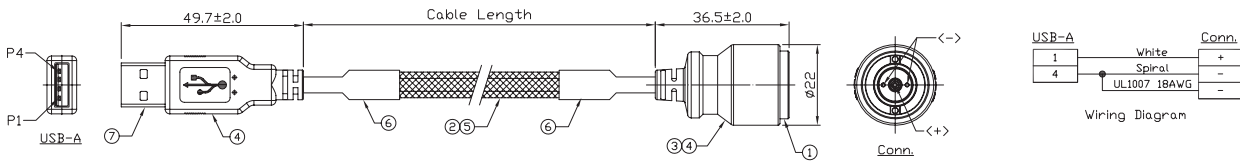
5A 2 Contacts Cable End with Cable and Sleeving with USB-A Plug



Specifications

Continuous Operating Temperature	: -40°C to +150°C
Bend ability at Low Temperature	: -10°C × 168hrs (No Cracking)
Aging Resistance	: +180°C × 168hrs (No Cracking)
Melting Point Temperature	: ASTM D2117 (240°C)
Flame Resistance	: UL-1441 (VW-1)
Abrasion Resistance	: ISO 6722-1, ≥15000 cycles, (No Cracking)

Diagram



Part Number	Cable Length
MP012105	2000mm ±150mm
MP012106	5000mm ±100mm

Item	Part Name	Material / Finish	Qty
1	5A 2 Contacts Cable End with USB-A Plug	-	1
2	Cable	UL1185 18AWG×1C+Spiral, OD=3.5mm, Colour: Black	
3	Inner Mold	Thermoplastic, Colour: White	
4	Over Mold	PVC, Colour: Black	
5	Sleeving	PET, Colour: Black	
6	Shrink Tube with Glue	L=40mm, PVC, Colour: Black	
7	USB-A Plug	Housing Thermoplastic, Colore: Black	1
		Contacts: Copper Alloy, Finish: Au Plated	
		Shell: Cold Roll Steel, Finish: Ni Plated	

Dimensions : Millimetres

Magnetic Circular Connector and Cable Assemblies

multicomp PRO

Part Number Table

Description	Part Number
Magnetic Circular Connector, 2P, Panel Mount	MP002495
Magnetic Circular Cable Assembly, Straight Magnetic Circular 2P to Free End, Black, 2m	MP002496
Magnetic Circular Cable Assembly, Right Angle Magnetic Circular 2P to Free End, Black, 2m	MP002497
Circular Cable Assembly, Magnetic Contact, 5A, 2P, Panel Mount, 500mm	MP009810
USB Adapter Cable, Magnetic Connector to USB Type-A Plug, 2m	MP009811
USB Adapter Cable, 90° Magnetic Connector to USB Type-A Plug, 2m	MP009812
Rubber Cap for Magnetic Connector, Black	MP009813
Magnetic Circular Cable Assembly to USB-A Plug, 90°, with Sleeving, 2m	MP012103
Magnetic Circular Cable Assembly to USB-A Plug, 90°, with Sleeving, 5m	MP012104
Magnetic Circular Cable Assembly to USB-A Plug, with Sleeving, 2m	MP012105
Magnetic Circular Cable Assembly to USB-A Plug, with Sleeving, 5m	MP012106

Important Notice : This data sheet and its contents (the "Information") belong to the members of the AVNET group of companies (the "Group") or are licensed to it. No licence is granted for the use of it other than for information purposes in connection with the products to which it relates. No licence of any intellectual property rights is granted. The Information is subject to change without notice and replaces all data sheets previously supplied. The Information supplied is believed to be accurate but the Group assumes no responsibility for its accuracy or completeness, any error in or omission from it or for any use made of it. Users of this data sheet should check for themselves the Information and the suitability of the products for their purpose and not make any assumptions based on information included or omitted. Liability for loss or damage resulting from any reliance on the Information or use of it (including liability resulting from negligence or where the Group was aware of the possibility of such loss or damage arising) is excluded. This will not operate to limit or restrict the Group's liability for death or personal injury resulting from its negligence. Multicomp Pro is the registered trademark of Premier Farnell Limited 2019.

Newark.com/multicomp-pro
Farnell.com/multicomp-pro
sg.element14.com/b/multicomp-pro

multicomp PRO