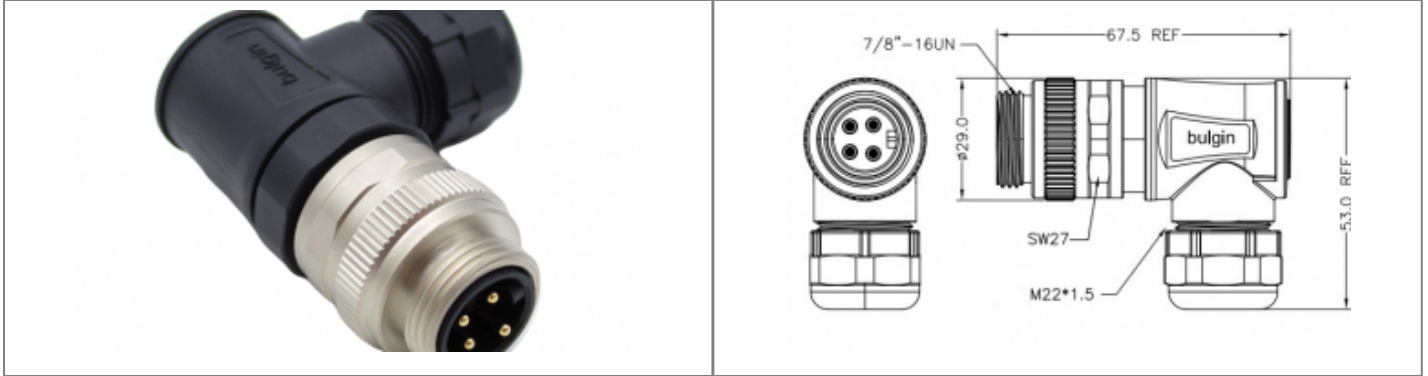


PXPTPU78RAM04ASTM22 Datasheet

Product Name // 4 Contacts 7/8" Right Angled Male Connector

[View Product Page](#)


// Product Description:

- ⬡ 4 Contacts 7-8" Right Angled Male Connector
- ⬡ IP67 rated when mated
- ⬡ Mechanical Cycles >100
- ⬡ Operating Temperature -25Å°C to +85Å°C
- ⬡ Rated Voltage 300 V
- ⬡ ROHS compliance

// General Information:

Product Display Title:	7/8" Right Angled Male Connector
Product Family:	Circular Automation Connectors
Product Series:	7/8" Series
Connection Method:	Screw
Contact Pin Material:	Brass gold plated 1u"
Min Coupling Torque:	0.4Nm
Max Coupling Torque:	0.8Nm
Contact Type:	Plug Contact
Current Max:	9A
Durability:	>100 Cycles
Function:	Right Angled Male Connector
Insulation Resistance:	>100MOhm
Ip Rating:	IP67
Max Cable Entry Size:	12mm
Min Cable Entry Size:	6mm
Max Operating Temperature:	+85°C
Min Operating Temperature:	-25°C
Nominal Cross Sectional Area Mm2:	1.5mm2
Number Of Contacts:	4 Contacts
Pin Layout Code:	A Code
Rohs Compliant:	Yes
Thread Size:	M22
Voltage Max:	300V

// Product PDF Links

[78 Series Circular connectors...](#)


Have a question or project enquiry
you'd like to talk to us about?



[Click Here To Contact Us](#)